

920-04-020-5335  
 920-08-040-5344

**\*\* WHEN REPLACING THE BEARINGS USED IN THE ARBOR BRACKET ASSEMBLY, THE CUSTOMER MUST ORDER THE PROPER BEARING. MOST OLDER MODELS OF THE UNISAW USE THE 920-08-040-5344 BEARING, WITH EXTENDED INNER RACE. NEWER MODELS USE THE 920-04-020-5335 BEARING. SPACER 422-04-104-5001 MUST BE USED WITH BEARING 920-08-040-5344. SPACER 422-04-104-0002 MUST BE USED WITH BEARING 920-04-020-5335.**

## REPLACEMENT PARTS

| REF. NO. | PART NO.        | DESCRIPTION                                    | REF. NO. | PART NO.        | DESCRIPTION                       |
|----------|-----------------|--|----------|-----------------|-----------------------------------|
| *        | 422-04-314-5003 | Arbor Bracket, Const. of:                      | *        | 422-04-406-5002 | Raising Shaft Assy, Const. of:    |
| 1        | 422-04-303-0003 | Arbor and Flange                               | 50       | 422-04-074-5001 | Lock Pin                          |
| 2        | 927-03-010-2660 | 3/16 x 3/16 x 1 1/2" Key                       | 51       | 422-04-412-5001 | Lock Knob                         |
| **3      | 920-08-040-5344 | .6693 x 1.5743 x .563 Bearing w/Ext Inner Race | 52       | 904-01-021-3577 | Fiber Washer                      |
| **3      | 920-04-020-5335 | .6693 x 1.5748 x .4724 Bearing                 | 53       | 905-01-010-2715 | 3/16 x 1 1/8" Roll Pin            |
| 4        | 928-06-020-7382 | Bearing Load Spring                            | 54       | 422-04-406-0001 | Raising Shaft w/Worm, Incl:       |
| **5      | 422-04-104-5001 | Bearing Spacer                                 | 55       | 902-01-210-1036 | 3/4"-16 Hex Nut                   |
| **5      | 422-04-104-0002 | Bearing Spacer                                 | 56       | 434-01-404-0001 | Collar, Incl:                     |
| 6        | 926-03-991-2328 | Arbor Pulley, Incl:                            | 57       | 901-04-190-0201 | 5/16-18 x 5/16" Hex Soc Set Screw |
| 7        | 0908653         | 5/16-18 x 3/8" Hex Soc Set Screw               | 58       | 927-03-010-2660 | 3/16 x 3/16 x 1 3/8" Key          |
| 8        | 902-07-020-7176 | Spanner Nut                                    | 59       | 901-01-060-0663 | 5/16-24 x 3/4" Hex Hd Cap Screw   |
| 9        | 904-05-010-6664 | Lockwasher                                     | 60       | 902-01-020-1228 | 5/16-24 Hex Nut                   |
| 10       | 902-01-200-9847 | Bearing Nut                                    | 61       | 904-02-020-1704 | 3/8" Lockwasher                   |
| 11       | 902-01-200-9848 | 5/8-12 Arbor Nut                               | 62       | 905-01-010-2734 | 5/16 x 1" Roll Pin                |
| 12       | 422-04-103-5001 | Arbor Flange                                   | 63       | 901-01-060-0642 | 3/8-16 x 1" Hex Hd Cap Screw      |
| 13       | 422-04-314-5002 | Arbor Bracket, Incl:                           | 64       | 422-04-395-5001 | Front Trunnion, Incl:             |
| 14       | 904-02-020-1704 | 3/8" Lockwasher                                | 65       | 920-75-011-3935 | Bearing                           |
| 15       | 901-01-060-3102 | 3/8-16 x 1 3/4" Hex Hd Cap Screw               | 70       | 901-01-060-0682 | 3/8-24 x 1 1/2" Hex Hd Cap Screw  |
| 16       | 34-105          | 10" Combination Saw Blade                      | 71       | 422-04-014-5001 | Front Trunnion Brkt               |
| 17       | 927-03-010-2653 | 1/4 x 1/4 x 1 15/16" Key                       | 72       | 904-02-020-1704 | 3/8" Lockwasher                   |
| 18       | 422-04-314-5004 | Motor Bracket w/Shaft, Including:              | 73       | 902-01-010-1207 | 3/8-24 Hex Nut                    |
| 19       | 928-06-011-4127 | Bearing Load Spring                            | 74       | 930-03-991-3524 | Handwheel, Incl:                  |
| 20       | 927-03-010-2657 | 1/4 x 1/4 x 2 15/16" Key                       | 75       | 901-04-190-0201 | 5/16-18 x 5/16" Hex Soc Set Screw |
| 25       | 49-124          | Matched Set of Three V-Belts                   | 80       | 422-04-406-5001 | Tilting Shaft w/Worm, Incl:       |
| 26       | 41-644          | Motor Pulley, Including:                       | 81       | 904-10-031-4509 | Collar                            |
| 27       | 0908653         | 5/16-18 x 3/8 Hex Soc Set Screw w/Nylon Insert | 82       | 904-01-021-3577 | Fiber Washer                      |
| 30       | 904-10-031-2097 | Special Steel Washer                           | 83       | 905-01-010-2715 | 3/16 x 1 1/8" Roll Pin            |
| 31       | 901-01-060-0664 | 7/16-20 x 1" Hex Hd Cap Screw                  | 84       | 422-04-074-5001 | Lock Pin                          |
| 32       | 422-04-071-5001 | Pin  | 85       | 422-04-412-5001 | Lock Knob                         |
| 33       | 422-04-079-5001 | Spring Clip                                    | 86       | 904-07-010-5569 | Fiber Washer                      |
| 34       | 422-04-036-5001 | Dust Deflector                                 | 87       | 901-02-050-0707 | 5/16-18 x 1" Fil Hd Cap Screw     |
| 35       | 422-04-104-5005 | Spacer   | 88       | 422-04-031-5001 | Shield Plate                      |
| 36       | 901-02-010-0522 | 5/16-18 x 1 3/4" Rd Hd Screw                   | 89       | 422-04-075-5001 | Pointer                           |
| 37       | 422-04-102-5001 | Yoke   | 90       | 901-02-010-0520 | 5/16-18 x 3/8" Rd Hd Mach Screw   |
| 38       | 422-04-014-5002 | Rear Trunnion Bracket                          | 91       | 422-04-014-5008 | Pointer Bracket                   |
| 39       | 901-01-060-0642 | 3/8-16 x 1" Hex Hd Cap Screw                   | 92       | 0919714         | #8-32 x 2" Fil Hd Mach Screw      |
| 40       | 904-02-020-1704 | 3/8" Lockwasher                                | 93       | 904-07-010-5569 | Fiber Washer                      |
| 41       | 901-01-060-0682 | 3/8-24 x 1 1/2" Hex Hd Cap Screw               | 94       | 930-03-991-3524 | Handwheel, Incl:                  |
| 42       | 904-02-020-1704 | 3/8" Lockwasher                                | 95       | 901-04-190-0201 | 5/16-18 x 5/16" Hex Soc Set Screw |
| 43       | 902-01-010-1207 | 3/8-24 Hex Nut                                 | 97       | 927-03-010-2660 | 5/16 x 3/16 x 1 3/8" Key          |
| 44       | 905-01-010-2734 | 5/16 x 1" Roll Pin                             | 98       | 422-04-055-5001 | Guide Block                       |
| 45       | 422-04-395-5002 | Rear Trunnion, Including:                      | 99       | 904-10-031-2097 | Special Steel Washer              |
| 46       | 920-75-011-3934 | Bearing  | 100      | 901-01-060-0681 | 7/16-20 x 1 1/2" Hex Hd Cap Screw |
|          |                 |  | 101      | 1087708         | Wrench                            |

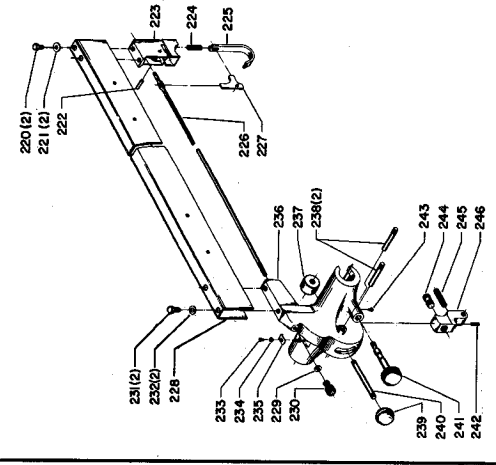
\* NOT SHOWN ASSEMBLED

\*\* When replacing the bearings used in the arbor bracket assembly, the customer must order the proper bearing. Most older models of the Unisaw use the 920-08-040-5344 bearing, with extended inner race. New Models use the 920-04-020-5335 bearing. Spacer, 422-04-104-5001 must be used with bearing 920-08-040-5344. Spacer, 422-04-104-0002 must be used with bearing 920-04-020-5335.

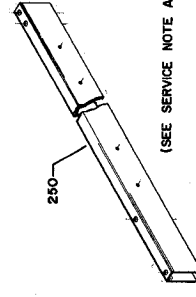
NOTE: For 1725 RPM operation, use the following V-Belts and Motor Pulley.

49-291  
34-449

Matched Set of Three V-Belts  
Motor Pulley



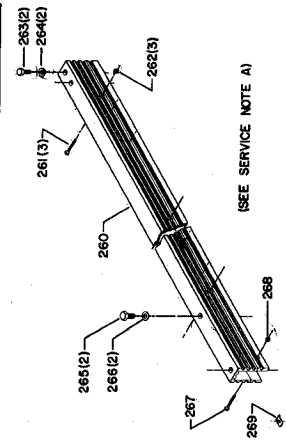
OLD STYLE RIP FENCE ASS'Y. 422-04-355-0001



(SEE SERVICE NOTE A)

OLD STYLE STEEL RIP FENCE ASS'Y.  
422-04-312-5007

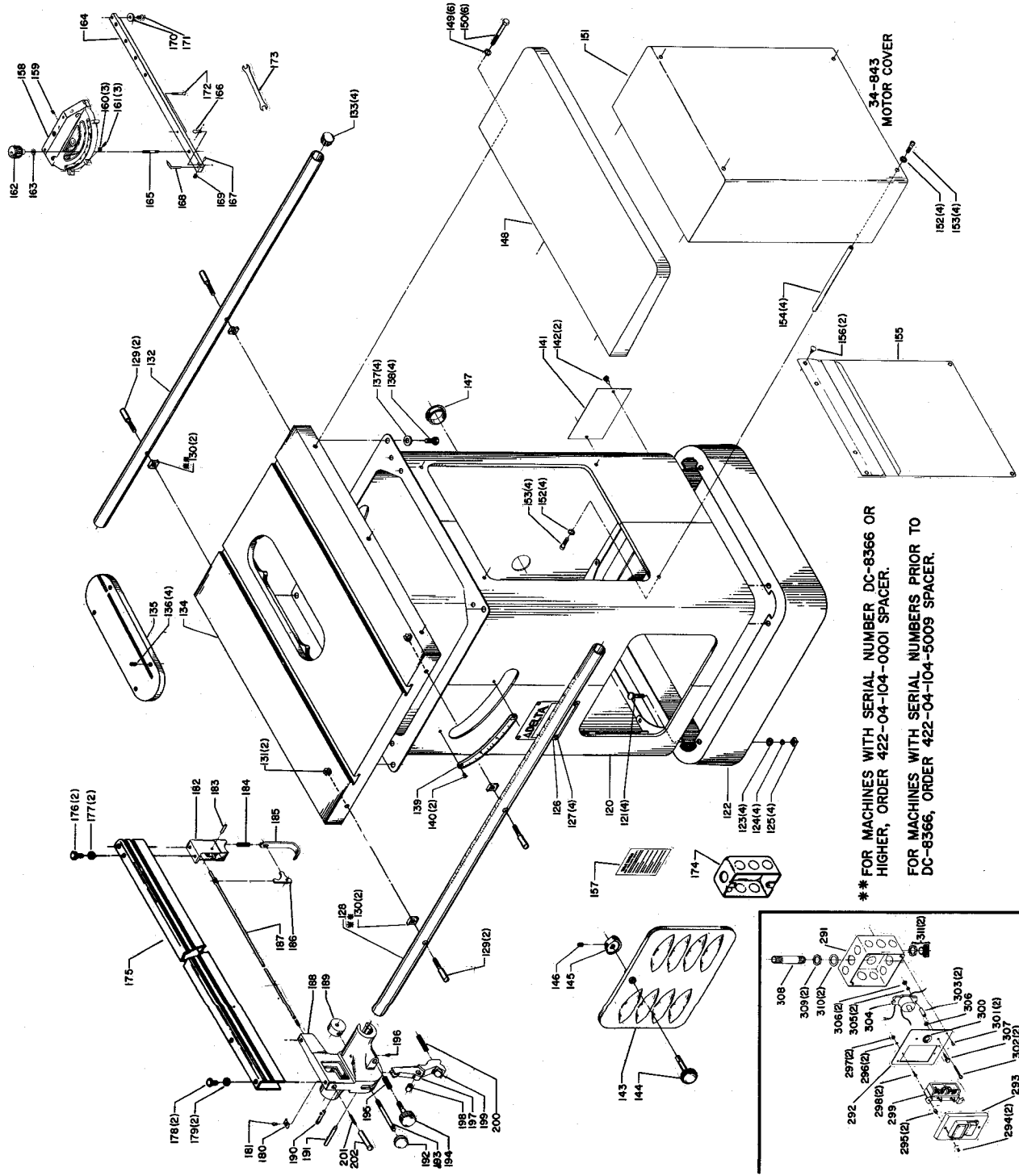
NOTE: COMPONENTS NOT SHOWN ARE SAME AS CURRENT FENCE ASS'Y.



(SEE SERVICE NOTE A)

OLD STYLE TWO PIECE ALUMINUM RIP FENCE ASS'Y.  
EARLY 34-896

NOTE: COMPONENTS NOT SHOWN ARE SAME AS CURRENT FENCE ASS'Y.



34-843 MOTOR COVER

152(4)  
153(4)

154(4)  
156(2)

155

148

141  
142(2)

147

139  
140(2)

126  
127(4)

120  
121(4)

122  
123(4)  
124(4)  
125(4)

153(4)  
152(4)

137(4)  
138(4)

135  
136(4)

132  
133(2)

130(2)

129(2)

128  
130(2)

117  
118

114  
115

112  
113

110  
111

108  
109

106  
107

104  
105

102  
103

100  
101

98  
99

96  
97

94  
95

92  
93

90  
91

88  
89

86  
87

84  
85

82  
83

80  
81

78  
79

76  
77

74  
75

72  
73

70  
71

68  
69

66  
67

64  
65

62  
63

60  
61

58  
59

56  
57

54  
55

52  
53

50  
51

48  
49

46  
47

44  
45

42  
43

40  
41

38  
39

36  
37

34  
35

32  
33

30  
31

28  
29

26  
27

24  
25

22  
23

20  
21

18  
19

16  
17

14  
15

12  
13

10  
11

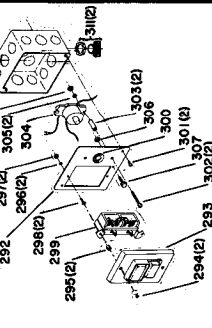
8  
9

6  
7

4  
5

2  
3

1



34-843 MOTOR COVER

152(4)  
153(4)

154(4)  
156(2)

155

148

141  
142(2)

147

139  
140(2)

126  
127(4)

120  
121(4)

122  
123(4)  
124(4)  
125(4)

153(4)  
152(4)

137(4)  
138(4)

135  
136(4)

132  
133(2)

130(2)

129(2)

128  
130(2)

117  
118

114  
115

112  
113

110  
111

108  
109

106  
107

104  
105

102  
103

100  
101

98  
99

96  
97

94  
95

92  
93

90  
91

88  
89

86  
87

84  
85

82  
83

80  
81

78  
79

76  
77

74  
75

72  
73

70  
71

68  
69

66  
67

64  
65

62  
63

60  
61

58  
59

56  
57

54  
55

52  
53

50  
51

48  
49

46  
47

44  
45

42  
43

40  
41

38  
39

36  
37

34  
35

32  
33

30  
31

28  
29

26  
27

24  
25

22  
23

20  
21

18  
19

16  
17

14  
15

12  
13

10  
11

8  
9

6  
7

4  
5

2  
3

1

34-843 MOTOR COVER

152(4)  
153(4)

154(4)  
156(2)

155

148

141  
142(2)

147

139  
140(2)

126  
127(4)

120  
121(4)

122  
123(4)  
124(4)  
125(4)

153(4)  
152(4)

137(4)  
138(4)

135  
136(4)

132  
133(2)

130(2)

129(2)

128  
130(2)

117  
118

114  
115

112  
113

110  
111

108  
109

106  
107

104  
105

102  
103

100  
101

98  
99

96  
97

94  
95

92  
93

90  
91

88  
89

86  
87

84  
85

82  
83

80  
81

78  
79

76  
77

74  
75

72  
73

70  
71

68  
69

66  
67

64  
65

62  
63

60  
61

58  
59

56  
57

54  
55

52  
53

50  
51

48  
49

46  
47

44  
45

42  
43

40  
41

38  
39

36  
37

34  
35

32  
33

30  
31

28  
29

26  
27

24  
25

22  
23

20  
21

18  
19

16  
17

14  
15

12  
13

10  
11

8  
9

6  
7

4  
5

2  
3

1

34-843 MOTOR COVER

**REPLACEMENT PARTS**

| REF. NO. | PART NO.        | DESCRIPTION   | REF. NO. | PART NO.  | DESCRIPTION                                |
|----------|-----------------|---|----------|---|--|
| 120      | 422-04-318-0001 | Cabinet   |          |   |  |
| 121      | 901-11-020-0830 | 5/16-18 x 1 1/4" Carriage Bolt                          |          |   |  |
| 122      | 1087066         | Cabinet Base  |          |   |  |
| 123      | 904-01-010-1620 | 5/16" Washer  |          |   |  |
| 124      | 904-02-010-1703 | 5/16" Lockwasher  | 220      | 901-01-060-0629                                       | 5/16-18 x 3/8" Hex Hd Cap Screw            |
| 125      | 902-02-040-1303 | 5/16-18 Square Nut                                      | 221      | 904-01-010-1620                                       | 5/16" Washer                               |
| 126      | 422-04-137-0001 | Nameplate   | 222      | 905-04-071-4459                                       | Pin  |
| 127      | 901-06-450-2250 | #4 x 3/16" Drive Screw                                  | 223      | 422-04-010-5002                                       | Rear Slide Block                           |
| 128      | 422-04-055-0001 | Front Guide Rail  | 224      | 928-01-041-4118                                       | Spring                                     |
| 129      | 422-04-112-5007 | 3/8-24 Special Screw                                    | 225      | 422-03-027-0001                                       | Rear Clamp Hook                            |
| 130      | 422-04-104-5009 | Spacer (For Machines prior to Serial No. DC-8366)       | 226      | 422-04-108-5001                                       | Rod  |
| 130      | 422-04-104-0001 | Spacer (For Machines with Serial No. DC-8366 or higher) | 227      | 422-04-067-5001                                       | Lever                                      |
|          |                 |   | 228      | 422-04-343-5001                                       | Fence                                      |
|          |                 |   | 229      | 904-01-010-1603                                       | 3/16" Washer                               |
|          |                 |   | 230      | 1087534   | Knurled Nut                                |
| 131      | 902-01-010-1207 | 3/8-24 Special Screw                                    | *        | 422-04-312-5002                                       | Fence Block, Const. Of:                    |
| 132      | 422-04-055-0002 | Rear Guide Rail   | 231      | 901-01-060-0677                                       | 3/8-24 x 1/2" Hex Hd Cap Screw             |
| 133      | 961-01-010-7462 | Plug  | 232      | 904-01-033-1451                                       | Special Washer                             |
| 134      | 422-04-091-5001 | Table   | 233      | 901-02-010-0551                                       | #10-32 x 1/4" Rd Hd Mach Screw             |
| 135      | 34-154          | Table Insert, Incl:                                     | 234      | 904-01-010-1610                                       | #9 Washer                                  |
| 136      | 901-04-461-5297 | 1/4-28 x 3/8" Long Lock Screw                           | 235      | 951-01-010-7802                                       | Pointer                                    |
| 137      | 904-10-031-2097 | Special Steel Washer                                    | 236      | 422-04-012-5001                                       | Front Clamp Body                           |
| 138      | 901-01-060-0680 | 7/16-20 x 3/4" Hex Hd Cap Screw                         | 237      | 422-04-042-5001                                       | Eccentric                                  |
| 139      | 951-02-010-7824 | Indicator Scale   | 238      | 905-04-101-4453                                       | Pin  |
| 140      | 901-06-110-3000 | #6-32 x 1/4" Self Tapping Screw                         | 239      | 931-01-011-4091                                       | Ball Handle                                |
| 141      | 1087070         | Plate   | 240      | 422-04-111-5001                                       | Clamp Handle Stud                          |
| 142      | 901-05-211-7379 | #10A x 1/2" Hex Hd Metal Screw                          | 241      | 422-04-351-5002                                       | Knob and Pinion                            |
| *        | 422-04-403-5002 | Door Assembly, Const. Of:                               | 242      | 901-04-150-0202                                       | 1/4-20 x 1/2" Headless Set Screw           |
| 143      | 422-04-403-5001 | Door  | 243      | 901-02-010-0569                                       | #8-32 x 3/16" Rd Hd Mach Screw             |
| 144      | 422-04-406-5004 | Door Knob and Stud                                      | 244      | 422-04-112-5002                                       | Clamp Screw                                |
| 145      | 422-04-019-5001 | Door Lock Cam   | 245      | 928-01-041-4117                                       | Spring                                     |
| 146      | 901-04-150-0206 | 5/16-18 x 5/16" Hex Soc Set Screw                       | 246      | 422-04-027-5002                                       | Front Clamp Shoe                           |
| 147      | 438-01-011-0020 | Insulator   |          |   |  |
| 148      | 34-545          | Side Extension Wings (Pair), Incl:                      |          |   |  |
| 149      | 904-02-010-1716 | 7/16" Split Lockwasher                                  |          |   |  |
| 150      | 901-01-060-0664 | 7/16-20 x 1" Hex Hd Cap Screw                           |          |   |  |
| ***151   | 34-843          | Motor Cover, Incl:                                      |          |   |  |
| 152      | 904-03-020-1750 | 5/16" Int Tooth Lockwasher                              | 250      | 422-04-343-5002                                       | Rip Fence, Old Style Steel                 |
| 153      | 901-02-050-0707 | 5/16-18 x 7/8" Fil Hd Screw                             | 260      | 422-04-343-0005                                       | Rip Fence, Old Style Two Piece Aluminum    |
| 154      | 422-04-104-0003 | Spacer  | 261      | 901-02-163-1176                                       | #10-32 x 1 1/4" Pan Hd Screw               |
| 155      | 400-06-603-0001 | Envelope  | 262      | 902-01-223-1177                                       | #10-32 Clinch Nut                          |
| 156      | 400-06-079-0001 | Retainer  | 263      | 901-01-060-0606                                       | 5/16-18 x 5/8" Hex Hd Cap Screw            |
| 157      | 422-16-754-0003 | Warning Label   | 264      | 904-01-010-1604                                       | 1/4" Washer                                |
| *        | 34-895          | Miter Gage, Const. Of:                                  | 265      | 901-01-060-0653                                       | 3/8-24 x 5/8" Hex Hd Cap Screw             |
| 158      | 422-01-355-0004 | Miter Gage Body, Incl:                                  | 266      | 904-01-033-1451                                       | Special Washer                             |
| 159      | 901-04-410-4561 | Special Set Screw                                       | 267      | 901-02-163-1176                                       | #10-32 x 1 1/4" Pan Hd Screw               |
| 160      | 902-01-200-1086 | Special Nut (Early Models Only)                         | 268      | 902-01-223-1177                                       | #10-32 Clinch Nut                          |
| 161      | 901-04-150-9428 | #8-32 x 1/2" Hex Soc Set Screw                          | 269      | 424-12-075-0002                                       | Pointer                                    |
| 162      | 422-02-060-0001 | Lock Knob   | *        | 422-04-626-0007                                       | Switch/Overload Kit (1Ø, P.B. Switch Only) |
| 163      | 904-07-010-5555 | Fiber Washer  | 291      | 438-01-001-0040                                       | Box  |
| 164      | 422-04-004-0001 | Bar   | 292      | 438-01-021-0148                                       | Switch Plate                               |
| 165      | 901-07-261-3237 | Stud  | 293      | 438-01-308-0009                                       | Switch Cover                               |
| 166      | 422-01-088-0002 | Stop Link   | 294      | 901-02-010-0567                                       | #6-32 x 1/4" Rd Hd Mach Screw              |
| 167      | 905-04-061-2351 | Special Pin   | 295      | 402-07-104-5007                                       | Spacer Nut                                 |
| 168      | 422-01-075-0001 | Pointer   | 296      | 904-03-020-1784                                       | #6 Int. Tooth Lockwasher                   |
| 169      | 901-04-410-4561 | Special Set Screw                                       | 297      | 902-01-120-1215                                       | #6-32 Hex Nut                              |
| 170      | 422-04-072-0001 | Plate   | 298      | 402-07-111-5002                                       | Stud                                       |
| 171      | 901-02-030-5750 | 1/4-28 x 5/16" Flat Hd Mach Screw                       | 299      | 438-01-017-0099                                       | Switch                                     |
| 172      | 422-01-112-0001 | Special Pivot Screw                                     | 300      | 960-03-012-0433                                       | Decal, "Push to Reset"                     |
| 173      | 955-01-040-1471 | 5/16" Open End Wrench (Early Models Only)               | 301      | 901-02-160-3729                                       | #8-32 x 1/4" Pan Hd Screw                  |
| 174      | 438-01-001-0036 | Switch Box (3Ø Only)                                    | 302      | 901-02-050-0732                                       | #10-32 x 1 1/4" Fil Hd Mach Screw          |
| *        | 34-896          | Aluminum Fence Assy, Const. of:                         | 303      | 424-03-017-0003                                       | Spacer                                     |
| 175      | 422-04-043-0003 | Fence Body  | 304      | 438-01-017-0159                                       | Overload                                   |
| 176      | 901-01-060-0605 | 5/16-18 x 1/2" Hex Hd Cap Screw                         | 305      | 904-03-020-1775                                       | #10 Int Tooth Lockwasher                   |
| 177      | 904-01-010-1604 | 1/4" Washer   | 306      | 902-01-120-1203                                       | #10-32 Hex Nut                             |
| 178      | 901-01-060-0677 | 3/8-24 x 1/2" Hex Hd Cap Screw                          | 307      | 901-06-423-1170                                       | #10-32 x 5/8" Hex Hd Thd Cut'g Screw       |
| 179      | 904-01-033-1451 | Special Washer  | 308      | 906-10-010-3510                                       | 1/2" x 3" Pipe Nipple                      |
| 180      | 951-01-020-7849 | Pointer   | 309      | 438-01-009-0001                                       | Locknut                                    |
| 181      | 901-02-010-0551 | #10-32 x 1/4" Rd Hd Screw                               | 310      | 438-01-009-0026                                       | Adapter                                    |
| 182      | 422-04-010-5002 | Rear Slide Block  | 311      | 438-01-004-0007                                       | Clamp                                      |
| 183      | 905-04-071-4459 | Pin   | **       | 438-01-302-0381                                       | Cord, 230 Volt                             |
| 184      | 928-01-041-4118 | Spring  | **       | 438-01-302-0310                                       | Cord, 115 Volt                             |
| 185      | 422-04-027-0001 | Clamp Hook  | **       | 438-01-007-0009                                       | Wire Nut                                   |
| 186      | 422-04-067-5001 | Lever   |          |   |  |
| 187      | 422-04-108-5001 | Rod   |          |   |  |
| *        | 422-04-312-5008 | Front Clamp, Const. Of:                                 |          |   |  |
| 188      | 422-04-012-5005 | Front Clamp Body  |          |   |  |
| 189      | 422-04-042-5002 | Eccentric   | *        | NOT SHOWN ASSEMBLED                                   |  |
| 190      | 422-04-071-5005 | Pin   | **       | NOT SHOWN   |  |
| 191      | 422-04-071-5004 | Pin   | ***      | THIS ACCESSORY IS NOT SUPPLIED WITH THE BASIC MACHINE |  |
| 192      | 931-01-011-4091 | Ball Handle   |          |   |  |
| 193      | 422-04-111-5002 | Clamp Lever   |          |   |  |
| 194      | 422-04-351-5002 | Knob and Pinion   |          |   |  |
| 195      | 928-01-201-5898 | Spring  |          |   |  |
| 196      | 901-04-160-6218 | 1/4-20 x 1/4" Hex Soc Set Screw                         |          |   |  |
| 197      | 422-04-327-5002 | Front Clamp Shoe, Incl:                                 |          |   |  |
| 198      | 904-08-021-4550 | Rubber Bushing  |          |   |  |
| 199      | 422-04-071-0001 | Pin   |          |   |  |
| 200      | 928-01-041-4123 | Spring  |          |   |  |
| 201      | 928-01-021-5301 | Spring  |          |   |  |
| 202      | 422-04-105-5001 | Sleeve  |          |   |  |

**OLD STYLE RIP FENCE  
422-04-355-0001**

**OLD STYLE FENCE COMPONENTS  
(See Service Note A)**

**SERVICE NOTE A:**

To convert the 422-04-312-5007 Old Style Steel or the Early 34-896 Old Style 2-Piece Aluminum Rip Fences into the Current One Piece Aluminum Fence, order Service Kit No. 422-04-343-0007 which includes the new fence body and the necessary hardware and instructions for converting to the new style fence.