

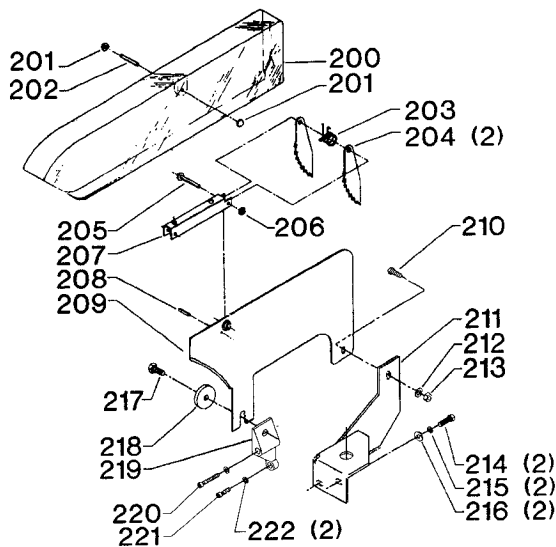
# REPLACEMENT PARTS

REF NO	PART NUMBER	DESCRIPTION	REF NO	PART NUMBER	DESCRIPTION
100	422-03-138-0002	KNOB	133	952-01-101-3267	SHAFT
101	1086491	CRANK	134	905-01-010-2710	3/16" X 7/8" SPRING PIN
102	422-19-075-0001	POINTER	135	422-02-014-0017	ARBOR BRACKET
103	901-03-010-3309	1/4-20 X 5/8" HEX SOC HD SCREW	136	902-07-020-7176	1 5/8-20 BEARING NUT
104	904-01-010-1614	FLAT WASHER	137	422-19-104-0002	SPACER
105	422-19-104-0001	SPACER	138	422-19-130-0001	PULLEY HALF
106	904-01-010-1620	FLAT WASHER <i>(Early Models Only)</i>	139	902-01-020-1226	5/8-18 JAM NUT
107	901-02-763-1526	5/16-18 X 7/8" HEX WASHER HD SCREW <i>(Current Models Only)</i>	140	422-19-095-0003	REAR TRUNNION
107A	901-01-060-0608	5/16-18 X 7/8" HEX HD SCREW <i>(Early Models Only)</i>	141	422-02-014-0010	TRUNNION BRACKET
108	1087233	FRONT TRUNNION, INCL:	142	904-01-010-1620	FLAT WASHER
109	422-35-042-0001	ECCENTRIC	143	901-02-763-1526	5/16-18 X 7/8" HEX WASHER HD SCREW <i>(Current Models Only)</i>
110	902-01-020-9145	9/16-18 HEX NUT	143A	901-01-060-0608	5/16-18 X 7/8" HEX HD SCREW <i>(Early Models Only)</i>
111	1087893	TILT SHAFT, INCL:	144	422-19-014-0003	MOTOR BRACKET
**	905-01-010-2716	1/8" X 9/16" SPRING PIN	145	902-01-283-1393	5/8-18 LOCK NUT
112	904-07-010-5554	3/8" FIBER WASHER	146	422-19-071-0002	PIN
113	426-03-388-0001	COLLAR ASSY, INCL:	147	422-19-122-0001	SPRING
114	901-04-150-0208	1/4-20 X 1/4" HEX SOC SET SCREW	148	901-11-020-0834	5/16-18 X 3/4" CARRIAGE HD SCREW
115	905-01-010-2711	1/8" X 5/8" SPRING PIN	149	904-01-010-1620	FLAT WASHER
116	422-35-105-0001	SLEEVE	150	904-03-030-1656	5/16" EXT TOOTH WASHER
117	902-01-283-1393	5/8-18 LOCK NUT	151	902-01-010-1300	5/16-18 HEX NUT
118	905-01-010-2710	3/16" X 7/8" SPRING PIN	152	422-02-089-0005	MOTOR PLATE
119	422-35-095-0001	FRONT TRUNNION	*	34-965	BELT & PULLEY GUARD, CONST OF:
120	901-04-141-9152	1/4-20 X 5/16" HEX SOC SET SCREW	153	901-01-060-3124	1/4-20 X 1 1/2" HEX HD SCREW
121	928-06-010-7381	SPRING	154	904-03-030-1757	1/4" EXT TOOTH WASHER
122	902-01-020-1226	5/8-18 JAM NUT	155	1088314	PLATE
123	905-01-010-2711	1/8" X 5/8" SPRING PIN	156	904-01-010-1614	FLAT WASHER
124	422-35-406-0001	ELEVATING SHAFT ASSY, INCL:	157	424-03-017-0003	SPACER
**	905-01-010-2716	1/8" X 9/16" SPRING PIN	158	902-01-120-1034	1/4-20 HEX NUT
125	904-07-010-5554	3/8" FIBER WASHER <i>(Early Models Only)</i>	159	1088315	COVER
126	422-19-004-0001	TIE BAR	160	904-03-030-1757	1/4" EXT TOOTH WASHER
127	902-01-200-9848	ARBOR NUT - LH	161	902-04-010-1402	1/4-20 WING NUT
128	422-04-103-5001	FLANGE	176	422-39-101-0001	WRENCH - 7/8 X 1/2"
129	422-19-303-0002	ARBOR ASSY	**	49-034	BELT
130	1087857	SPACER	**	926-01-041-9366	MOTOR PULLEY - 2 1/4" OD <i>(Current Models Only)</i>
131	1086894	BALL BEARING	**	926-01-041-8729	MOTOR PULLEY - 3" OD <i>(Early Models Only)</i>
132	928-06-020-7382	LOAD SPRING			

\* NOT SHOWN ASSEMBLED

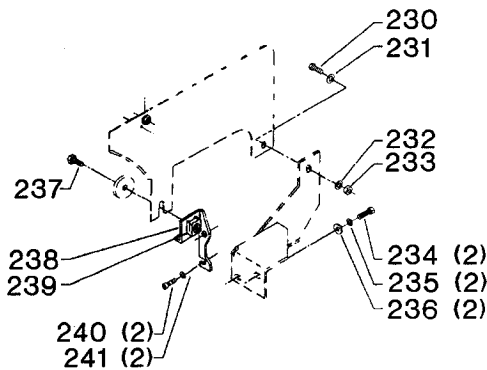
\*\* NOT SHOWN

# REPLACEMENT PARTS



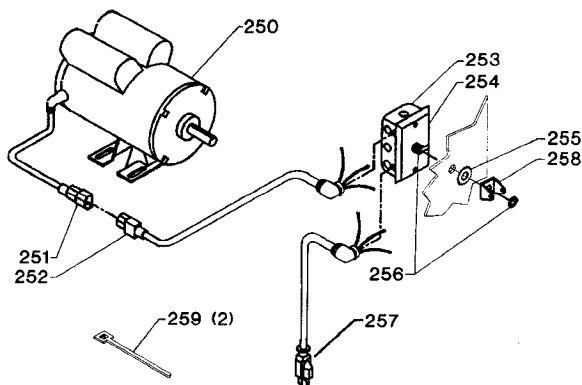
REF NO	PART NUMBER	DESCRIPTION
*	34-412	BLADE GUARD ASSY, CONST OF:
*	1086935	BLADE GUARD, CONST OF:
200	1086334	SEE THRU GUARD
201	1086388	PUSH NUT CAP
202	1087811	PIN
203	1086353	SPRING
204	422-16-047-0001	KICK BACK FINGER
205	422-16-071-0002	PIN
206	1086387	PUSH NUT
207	1086337	PIVOT BRACKET
208	905-01-010-6729	5/32 X 11/16" SPRING PIN
209	1086911	SPLITTER
210	901-11-023-1476	5/16-18 X 5/8" CARRIAGE SCREW (Current Models Only)
211	422-19-089-0003	BRACKET
212	904-01-010-1620	FLAT WASHER (Current Models Only)
213	902-01-010-1300	5/16-18 HEX NUT (Current Models Only)
214	901-01-060-0626	1/4-20 X 3/4" HEX HD SCREW (Current Models Only)
215	904-01-010-1614	FLAT WASHER (Current Models Only)
216	904-02-020-1702	1/4" LOCK WASHER (Current Models Only)
217	901-01-060-0649	5/16-18 X 2" HEX HD SCREW (Current Models Only)
218	422-03-072-0001	PLATE
219	422-04-014-0037	SPLITTER BRACKET (Current Models Only)
220	901-03-010-0230	1/4-20 X 2" HEX SOC HD SCREW (Current Models Only)
221	901-03-010-0755	1/4-20 X 3/4" HEX SOC HD SCREW (Current Models Only)
222	904-01-031-2934	1/4" FLAT WASHER (Current Models Only)

\* NOT SHOWN ASSEMBLED



FOR USE WITH EARLY MODELS ONLY

REF NO	PART NUMBER	DESCRIPTION
230	901-01-060-0611	1/4-20 X 1/2" HEX HD SCREW (Early Models Only)
231	904-01-031-2934	1/4" FLAT WASHER (Early Models Only)
232	904-02-020-1702	1/4" LOCK WASHER (Early Models Only)
233	902-01-120-1034	1/4-20 HEX NUT (Early Models Only)
234	901-01-060-0626	1/4-20 X 3/4" HEX HD SCREW (Early Models Only)
235	904-02-020-1702	1/4" LOCK WASHER (Early Models Only)
236	904-01-031-2934	1/4" FLAT WASEHER (Early Models Only)
237	901-01-060-0649	5/16-18 X 2" HEX HD SCREW (Early Models Only)
238	422-04-314-0017	BRACAKET ASSY (Early Models Only), INCL:
239	902-03-013-1063	TINNERMAN NUT (Early Models Only)
240	901-03-010-3309	1/4-20 X 5/8" HEX SOC HD SCREW (Early Models Only)
241	904-02-020-1702	1/4" LOCK WASHER (Early Models Only)



REF NO	PART NUMBER	DESCRIPTION
250	62-044	MOTOR ASSY (See Service Note A), INCL:
251	438-01-302-0661	MALE QUICK DISCONNECT
252	438-01-302-0667	FEMALE QUICK DISCONNECT
*	438-01-317-0116	QUICK DISCONNECT SWITCH ASSY, INCL:
253	438-01-001-0058	SPECIAL BOX
254	438-01-021-0272	SWITCH PLATE
255	904-03-010-6656	1/2" LOCKWASHER
256	438-01-628-0004	SWITCH
257	438-01-302-0668	CORD SET
258	424-01-014-0002	SWITCH BRACKET
259	438-01-004-0054	CABLE TIE

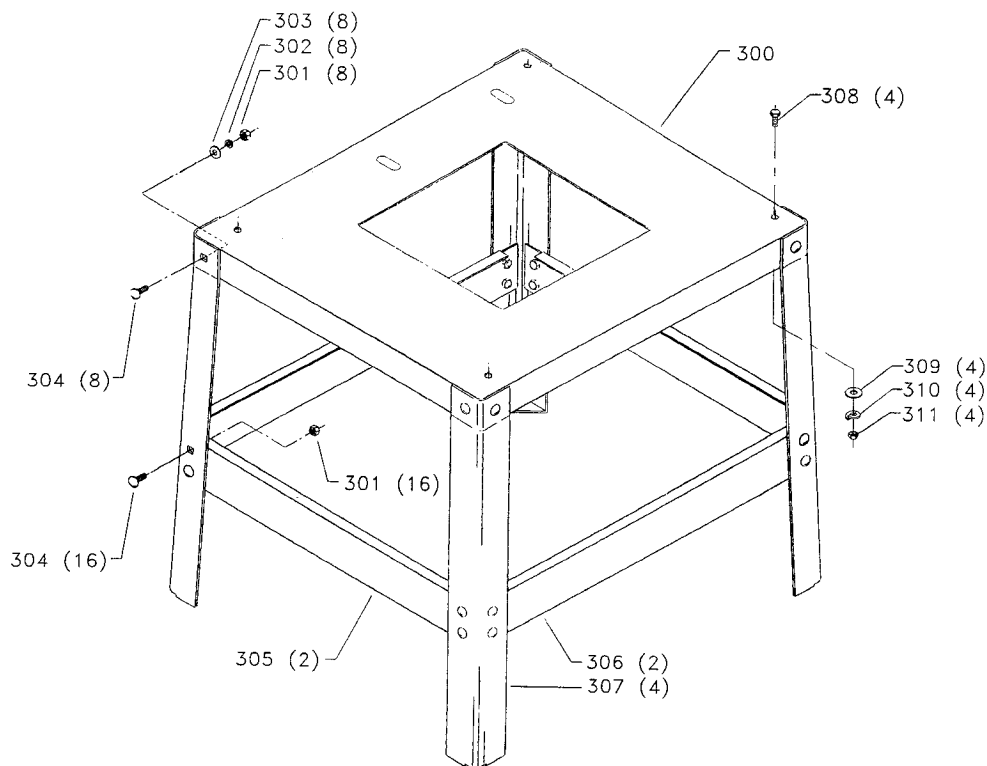
\* NOT SHOWN ASSEMBLED

## SERVICE NOTE:

A - The 62-044 Motor Assembly includes both male (Ref No 251) and female (Ref No 252) disconnect/cable assemblies making it interchangeable with all prior contractor saw motors.

# REPLACEMENT PARTS

## AVAILABLE AS AN ACCESSORY



### REF

### NO PART NUMBER

### DESCRIPTION

REF NO	PART NUMBER	DESCRIPTION
*	50-314	OPEN STEEL STAND, CONST OF:
300	436-02-115-0101	SHELF
301	902-01-010-1300	5/16-18 HEX NUT
302	904-02-010-1703	5/16" LOCK WASHER
303	904-01-010-1620	FLAT WASHER
304	901-11-023-1476	5/16-18 X 5/8" CARRIAGE HD SCREW
305	436-02-103-0011	TIE BAR
306	436-02-103-0010	TIE BAR
307	436-02-066-0028	LEG
308	901-01-060-0649	5/16-18 X 1" HEX HD SCREW
309	904-01-010-1620	FLAT WASHER
310	904-02-010-1703	5/16" LOCK WASHER
311	902-01-010-1300	5/16-18 HEX NUT

### STANDARD SAFETY EQUIPMENT

In order to promote tool safety, Delta International Machinery Corp. strictly enforces the policy of repairing or replacing any damaged or missing standard safety equipment on machines presented to Delta Authorized Service Center for service/repairs. Any product which is presented to a Delta Authorized Service Center for repairs which contains missing or damaged standard safety equipment will have that equipment repaired or replaced and the customer will be charged for any such service/repairs. Customers can avoid such charges only if the missing safety component is supplied to the service center at the time of repair.

*This parts list is provided to aid in obtaining service parts. Copies of the instruction and maintenance literature can be obtained through the Delta Technical Publications Department or through your local service outlet.*