

Before returning this product call

1-800-4-DEWALT

IF YOU SHOULD EXPERIENCE A PROBLEM WITH YOUR DEWALT PURCHASE,

CALL 1-800-4 DEWALT

IN MOST CASES, A DEWALT REPRESENTATIVE CAN RESOLVE YOUR
PROBLEM OVER THE PHONE.

IF YOU HAVE A SUGGESTION OR COMMENT, GIVE US A CALL.
YOUR FEEDBACK IS VITAL TO THE SUCCESS OF DEWALT'S QUALITY
IMPROVEMENT PROGRAM.

Questions? See us on the World Wide Web at www.dewalt.com

**INSTRUCTION MANUAL
GUIDE D'UTILISATION
MANUAL DE INSTRUCCIONES**

INSTRUCTIVO DE OPERACIÓN, CENTROS DE SERVICIO Y PÓLIZA
DE GARANTÍA. **ADVERTENCIA:** LÉASE ESTE INSTRUCTIVO ANTES
DE USAR EL PRODUCTO.

DEWALT®

DW718 (120 Volt), DW718 (230 Volt) 12" Double Bevel Sliding Compound Miter Saw

DW718 (120 Volt), DW718 (230 Volt) Scie coulissante à onglet mixte 305 mm (12 po)

**DW718 (120 Voltios), DW718 (230 Voltios) Sierra ingletadora compuesta deslizante de
doble bisel de 305 mm (12")**

TABLE OF CONTENTS

DOUBLE INSULATION/POLARIZED PLUG INSTRUCTIONS.....	2	CONTROLS	8
SAFETY INSTRUCTIONS FOR ALL TOOLS	2	OPERATION	8
ADDITIONAL SAFETY RULES.....	2	SWITCH.....	8
ELECTRICAL CONNECTION	3	CUTTING WITH YOUR SAW	8
ACCESSORIES	3	CROSSCUTS	8
BLADE DESCRIPTIONS	4	BEVEL CUTS.....	9
UNPACKING YOUR SAW	4	QUALITY OF CUT.....	9
SPECIFICATIONS	5	BODY AND HAND POSITION	9
FAMILIARIZATION	5	CLAMPING THE WORKPIECE	10
BENCH MOUNTING	5	SUPPORT FOR LONG PIECES	10
REMOVING THE BLADE.....	5	CUTTING PICTURE FRAMES, SHADOW BOXES AND OTHER FOUR-SIDED PROJECTS	10
INSTALLING THE BLADE	6	CUTTING TRIM MOLDING AND OTHER FRAMES	10
TRANSPORTING THE SAW	6	CUTTING COMPOUND MITERS.....	10
ADJUSTMENTS	6	CUTTING BASE MOLDINGS.....	10
MITER SCALE ADJUSTMENT	7	CUTTING CROWN MOLDING	11
MITER POINTER ADJUSTMENT	7	SPECIAL CUTS	12
BEVEL SQUARE TO TABLE	7	REMOVING AND REPLACING THE BELT	13
BEVEL POINTER	7	MAINTENANCE	13
BEVEL STOP	7	WARRANTY	13
FENCE ADJUSTMENT	7	TABLE 1: COMPOUND MITER CUT.....	14
AUTOMATIC ELECTRIC BRAKE	7	TROUBLESHOOTING GUIDE.....	15
GUARD ACTUATION AND VISIBILITY.....	7		
KERF PLATE ADJUSTMENT.....	7		
RAIL GUIDE ADJUSTMENT	7		
MITER LOCK ADJUSTMENT	8		
BRUSHES	8		

Important Safety Instructions



WARNING: When using electric tools, basic safety precautions should always be followed to reduce risk of fire, electric shock, and personal injury, including the following:

READ ALL INSTRUCTIONS

Double Insulation

Double insulated tools are constructed throughout with two separate layers of electrical insulation or one double thickness of insulation between you and the tool's electrical system. Tools built with this insulation system are not intended to be grounded. As a result, your tool is equipped with a two prong plug which permits you to use extension cords without concern for maintaining a ground connection.

NOTE: Double insulation does not take the place of normal safety precautions when operating this tool. The insulation system is for added protection against injury resulting from a possible electrical insulation failure within the tool.

CAUTION: WHEN SERVICING USE ONLY IDENTICAL REPLACEMENT PARTS. Repair or replace damaged cords.

Polarized Plugs

Polarized plugs (one blade is wider than the other) are used on equipment to reduce the risk of electric shock. When provided, this plug will fit in the polarized outlet only one way. If the plug does not fit fully in the outlet, reverse the plug. If it still does not fit, contact a qualified electrician to install the proper outlet. Do not change the plug in any way.

Safety Instructions For All Tools

- **KEEP GUARD IN PLACE** and in working order.
- **REMOVE ADJUSTING KEYS AND WRENCHES.** Form habit of checking to see that keys and adjusting wrenches are removed from spindle before turning tool on.
- **KEEP WORK AREA CLEAN.** Cluttered areas and benches invite accidents.
- **DON'T USE IN DANGEROUS ENVIRONMENT.** Don't use power tools in damp or wet locations, or expose them to rain or snow. Keep work area well lighted.
- **KEEP CHILDREN AWAY.** All visitors should be kept at a safe distance from work area.
- **MAKE WORKSHOP KID PROOF** with padlocks, master switches, or by removing starter keys.
- **DON'T FORCE TOOL.** It will do the job better and be safer at the rate for which it was designed.
- **USE RIGHT TOOL.** Don't force tool or attachment to do a job for which it was not designed.
- **WEAR PROPER APPAREL.** No loose clothing, gloves, neckties, rings, bracelets, or other jewelry to get caught in moving parts. Non-slip footwear is recommended. Wear protective hair covering to contain long hair. Air vents may cover moving parts and should also be avoided.
- **ALWAYS WEAR SAFETY GLASSES.** Also use face or dust mask if cutting operation is dusty. Everyday eyeglasses have only impact resistant lenses, they are NOT safety glasses.
- **SECURE WORK.** Use clamps or vise when you cannot secure the workpiece on the table and against the fence by hand or when your hand will be dangerously close to the blade (within 6").
- **DON'T OVERREACH.** Keep proper footing and balance at all times.
- **MAINTAIN TOOLS WITH CARE.** Keep tools sharp and clean for best and safest performance. Follow instructions for lubricating and changing accessories.
- **DISCONNECT TOOLS** before servicing; when changing accessories such as blades, bits, cutters, etc.
- **REDUCE THE RISK OF UNINTENTIONAL STARTING.** Make sure switch is in OFF position before plugging in.

- **USE RECOMMENDED ACCESSORIES.** Consult the instruction manual for recommended accessories. The use of improper accessories may cause risk of injury to persons.
- **NEVER STAND ON TOOL.** Serious injury could occur if the tool is tipped or if the cutting tool is unintentionally contacted.
- **CHECK DAMAGED PARTS.** Before further use of the tool, a guard or other part that is damaged should be carefully checked to determine that it will operate properly and perform its intended function—check for alignment of moving parts, binding of moving parts, breakage of parts, mounting and any other conditions that may affect its operation. A guard or other part that is damaged should be properly repaired or replaced. Do not use tool if switch does not turn it on and off.
- **NEVER LEAVE TOOL RUNNING UNATTENDED. TURN POWER OFF.** Don't leave tool until it comes to a complete stop.
- **DO NOT OPERATE ELECTRIC TOOLS NEAR FLAMMABLE LIQUIDS OR IN GASEOUS OR EXPLOSIVE ATMOSPHERES.** Motors in these tools may spark and ignite fumes.
- **EXTENSION CORDS.** Make sure your extension cord is in good condition. When using an extension cord, be sure to use one heavy enough to carry the current your product will draw. An undersized cord will cause a drop in line voltage resulting in loss of power and overheating. The following table shows the correct size to use depending on cord length and nameplate ampere rating. If in doubt, use the next heavier gage. The smaller the gage number, the heavier the cord.

		Minimum Gage for Cord Sets			
Volts	Total Length of Cord in Feet	0-25	26-50	51-100	101-150
120V					
240V					
Ampere Rating	More Than	Not more Than	AWG		
0 - 6	18	16	16	14	12
6 - 10	18	16	14	12	
10 - 12	16	16	14	12	
12 - 16	14	12	Not Recommended		

Additional Safety Rules For Miter Saws

CAUTION: FAILURE TO HEED THESE WARNINGS MAY RESULT IN PERSONAL INJURY AND SERIOUS DAMAGE TO THE SAW.

- DO - Protect electric supply line with at least a 15 ampere time-delay fuse or a circuit breaker.
- DO - Make certain the blade rotates in the correct direction and that the teeth at the bottom of the blade are pointing to the rear of the miter saw.
- DO - Be sure all clamp handles are tight before starting any operation.
- DO - Be sure all blade and clamp washers are clean and recessed sides of collars are against blade. Tighten arbor screw securely.
- DO - Keep saw blade sharp.
- DO - Keep motor air slots free of chips and dirt.
- DO - Use blade guards at all times.
- DO - Keep hands out of path of saw blade.
- DO - Shut off power, disconnect cord from power source and wait for saw blade to stop before servicing or adjusting tool.
- DO - Support long work with an outboard tool rest.
- DON'T - Attempt to operate on anything but designated voltage.
- DON'T - Operate unless all clamp handles are tight.
- DON'T - Use blades larger or smaller than those which are recommended.

- **DON'T** - Wedge anything against fan to hold motor shaft.
- **DON'T** - Force cutting action. (Stalling or partial stalling of motor can cause major damage. Allow motor to reach full speed before cutting.)
- **DON'T** - Cut ferrous metals (Those with any iron or steel content) or any masonry.
- **DON'T** - Use abrasive wheels. The excessive heat and abrasive particles generated by them will damage the saw.
- **DON'T** - Allow anyone to stand behind saw.
- **DON'T** - Apply lubricants to the blade when it's running.
- **DON'T** - Place either hand in the blade area when the saw is connected to the power source.
- **DON'T** - Use blades rated less than 4800 R.P.M.
- **DO NOT** - Cut small pieces without clamping. Keep hands 6" or more from blade.
- **DON'T** - Operate saw without guards in place.
- **DON'T** - Perform any operation freehand.
- **DON'T** - Reach around or behind saw blade.
- **DON'T** - Place hands closer than 6 inches from the saw blade.
- **DO NOT** - Reach underneath the saw unless it is turned off and unplugged. The saw blade is exposed on the underside of the saw.
- **DO NOT** - Move either hand from saw or workpiece or raise arm until blade has stopped.
- **DO NOT** - Use lubricants or cleaners (particularly spray or aerosol) in the vicinity of the plastic guard. The polycarbonate material used in the guard is subject to attack by certain chemicals.
- Never use without kerf plate, and replace when kerf plate is damaged because small chip accumulation under saw may interfere with saw blade or may cause instability of workpiece when cutting.

⚠ CAUTION: Do not connect unit to electrical power source until complete instructions are read and understood.

⚠ CAUTION: Wear appropriate personal hearing protection during use. Under some conditions and duration of use, noise from this product may contribute to hearing loss.

⚠ WARNING: Some dust created by power sanding, sawing, grinding, drilling, and other construction activities contains chemicals known to cause cancer, birth defects or other reproductive harm. Some examples of these chemicals are:

- lead from lead-based paints,
- crystalline silica from bricks and cement and other masonry products, and
- arsenic and chromium from chemically-treated lumber (CCA).

Your risk from these exposures varies, depending on how often you do this type of work. To reduce your exposure to these chemicals: work in a well ventilated area, and work with approved safety equipment, such as those dust masks that are specially designed to filter out microscopic particles.

- **Avoid prolonged contact with dust from power sanding, sawing, grinding, drilling, and other construction activities. Wear protective clothing and wash exposed areas with soap and water.** Allowing dust to get into your mouth, eyes, or lay on the skin may promote absorption of harmful chemicals.

⚠ WARNING: Use of this tool can generate and/or disburse dust, which may cause serious and permanent respiratory or other injury. Always use NIOSH/OSHA approved respiratory protection appropriate for the dust exposure. Direct particles away from face and body.

For your convenience and safety, the following warning labels are on your miter saw.

ON MOTOR HOUSING:

WARNING: FOR YOUR OWN SAFETY, READ INSTRUCTION MANUAL BEFORE OPERATING SAW.

WHEN SERVICING, USE ONLY IDENTICAL REPLACEMENT PARTS.

DO NOT EXPOSE TO RAIN OR USE IN DAMP LOCATIONS.

ALWAYS WEAR EYE PROTECTION.

ON MOVING FENCES:

ALWAYS ADJUST FENCE PROPERLY BEFORE USE. Clamp small pieces before cutting. See manual.

ON GUARD: **DANGER – KEEP AWAY FROM BLADE.**

ON UPPER GUARD: **PROPERLY SECURE BRACKET WITH BOTH SCREWS BEFORE USE.**

ON TABLE: (2 PLACES)

ALWAYS TIGHTEN ADJUSTMENT KNOBS BEFORE USE.

KEEP HANDS 6" FROM PATH OF SAW BLADE.

NEVER PERFORM ANY OPERATION FREEHAND.

NEVER CROSS ARMS IN FRONT OF BLADE.

THINK! YOU CAN PREVENT ACCIDENTS.

DO NOT OPERATE SAW WITHOUT GUARDS IN PLACE.

TURN OFF TOOL, KEEP SAW HEAD DOWN AND WAIT FOR SAW TO STOP BEFORE MOVING HANDS, WORKPIECE OR CHANGING SETTINGS.

UNPLUG TOOL BEFORE CHANGING BLADE, MOVING OR SERVICING UNIT.

Electrical Connection

Be sure your power supply agrees with the nameplate marking. 120 volts, AC means that your saw will operate on alternating current. The switch is susceptible to failure if direct current is used. A voltage decrease of 10 percent or more will cause a loss of power and overheating. All DEWALT tools are factory tested. If this tool does not operate, check the power supply.

Accessories

Recommended accessories for use with your tool are available at extra cost from your local service center.

⚠ CAUTION: The use of any non-recommended accessory may be hazardous. Dado sets, molding cutters or abrasive wheels should not be used on your miter saw.

If you need assistance in locating any accessory, please contact DEWALT Industrial Tool Co., 701 East Joppa Road, Baltimore, MD 21286, call 1-800-4-DEWALT (1-800-433-9258) or visit our website www.dewalt.com.

Optional Accessories

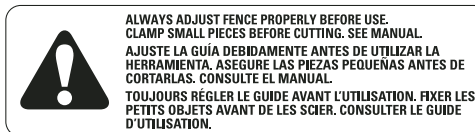
The following accessories, designed for your saw, may be helpful. In some cases, other locally obtained work supports, length stops, clamps, etc., may be more appropriate. Use care in selecting and using accessories.

Laser Guide System: DW7187

Laser is available at extra cost from DEWALT Service Centers and your home improvement retailer. Instructions for installation are included with the accessory. Read and follow all directions for safe installation and use.

Extension, Work Support: DW7080

Used to support long overhanging workpieces, the work support is user assembled. Your saw table is designed to accept two work supports; one on each side.



DANGER PELIGRO
KEEP AWAY FROM BLADE
MANTENERS ALEJADO DE LA HOJA
S'ÉLOIGNER DE LA LAME



Adjustable Length Stop: DW7051

Requires the use of one work support (see drawing). It is used to make repetitive cuts of the same length from 0 to 42".

Clamp: DW7082 (similar model included)

Used for firmly clamping workpiece to the saw table for precision cutting.

Dust Bag: DW7053 (Included with some models)

Equipped with a zipper for easy emptying, the dust bag will capture the majority of the sawdust produced (not shown).

Crown Molding Fence: DW7084

Used for precision cutting of crown molding.

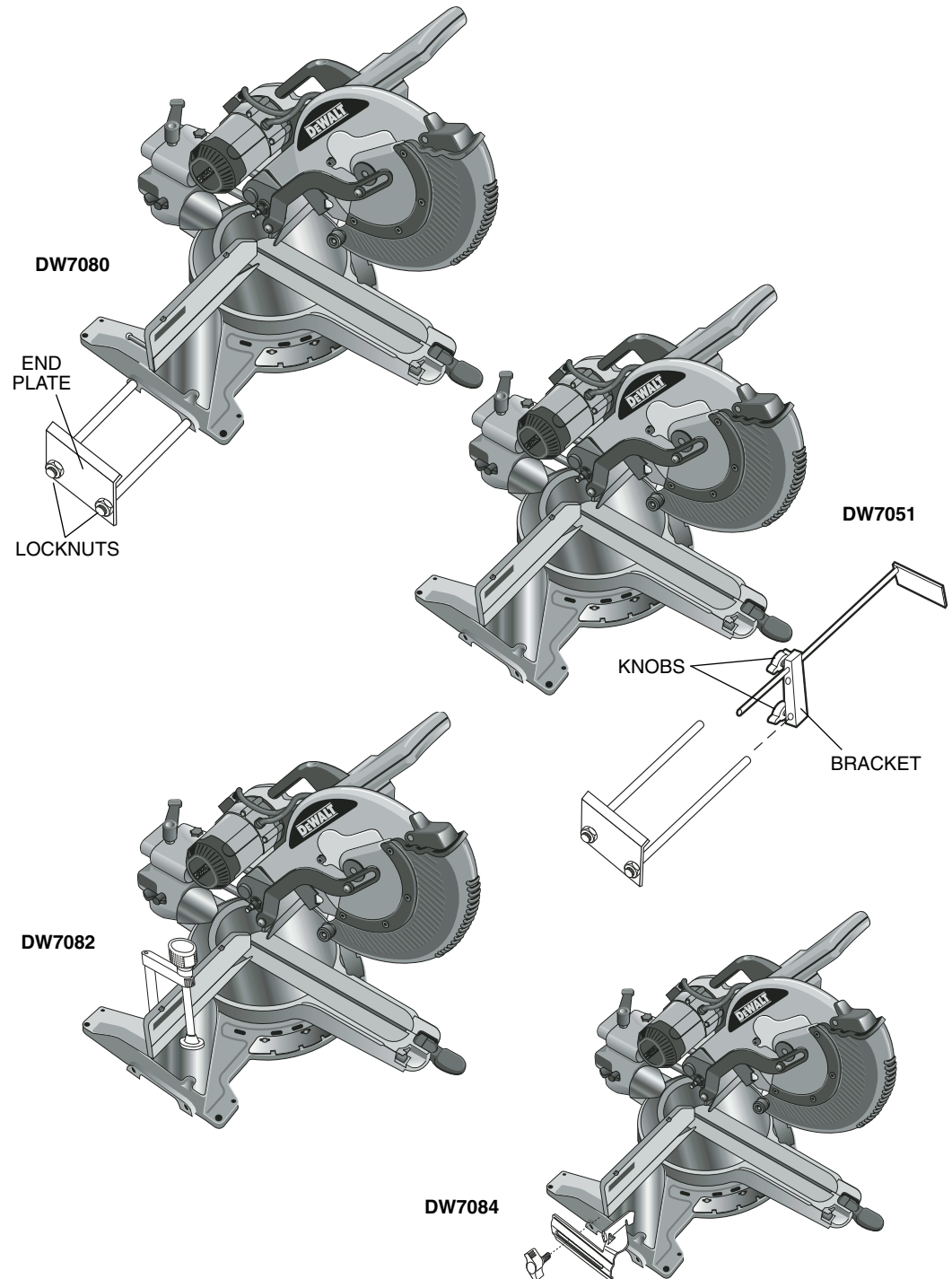
SAW BLADES: ALWAYS USE 12" SAW BLADES WITH 1" ARBOR HOLES. SPEED RATING MUST BE AT LEAST 4800 RPM. Never use a smaller diameter blade. It will not be guarded properly.

BLADE DESCRIPTIONS				
APPLICATION	MODEL #	DIAMETER	TEETH	TOOTH GRIND
Construction Saw Blades (<i>thin kerf with anti-stick rim</i>)				
General Purpose	DW3123	12"	32	ATB
Fine Crosscuts	DW3126	12"	60	ATB
Fine Crosscuts	DW3128	12"	80	ATB
Woodworking Saw Blades (<i>provide smooth, clean cuts</i>)				
Fine crosscuts	DW7648	12"	60	ATB
Fine crosscuts	DW7649	12"	80	ATB
Ultra-fine crosscuts	DW7650	12"	96	ATB
Laminates	DW7661	12"	80	TCG
Solid surface and plastics	DW7668	12"	80	Mod TCG
Non-ferrous metals	DW7666	12"	80	TCG

Unpacking Your Saw

Check the contents of your miter saw carton to make sure that you have received all parts. In addition to this instruction manual, the carton should contain:

1. One DW718 miter saw.
2. One DEWALT 12" diameter saw blade.
3. One blade wrench in wrench pocket shown in Figure 4.
4. One DW7053 Dustbag (some models).
5. One material clamp.



Specifications

CAPACITY OF CUT

50° miter right, 60° miter left

48° bevel left and right

0° miter

Max. Height 3.7" (94mm) Result Width 12.9" (328mm)

Max. Width 13.6" (345mm) Result Height 2.9" (74mm)

45° miter

Max. Height 3.7" (94mm) Result Width 9.1" (231mm)

Max. Width 9.5" (241mm) Result Height 2.9" (74mm)

45° bevel - Left

Max. Height 2.4" (61mm) Result Width 12.9" (328mm)

Max. Width 13.6" (345mm) Result Height 1.9" (48mm)

45° bevel - Right

Max. Height 1.7" (43mm) Result Width 12.9" (328mm)

Max. Width 13.6" (345mm) Result Height 1.1" (28mm)

Your saw is capable of cutting baseboard moldings 0.8" (20mm) thick by 6.5" (165mm) tall on a 45° right or left miter.

NOTE: Your saw is capable of cutting the following once a special setup procedure is followed (see Special Cuts).

0° miter height 1.5 width 16.1

45° miter height 1.5 width 11.7

DRIVE

120 Volt Motor

1600 Watts In

3600 RPM

Multi-V Belt

Automatic Electric Brake

15 Amp Motor

Cut Helical Gears

Roller Bearings

Carbide Blade

Familiarization

Your miter saw is fully assembled in the carton. Open the box and lift the saw out by the convenient carrying handle, as shown in Figure 1.

Place the saw on a smooth, flat surface such as a workbench or strong table.

Examine the two figures on page 6 to become familiar with the saw and its various parts. The section on adjustments will refer to these terms and you must know what and where the parts are.

Press down lightly on the operating handle and pull out the lock down pin. Gently release the downward pressure and hold the arm allowing it to rise to its full height. Use the lock down pin when carrying the saw from one place to another.

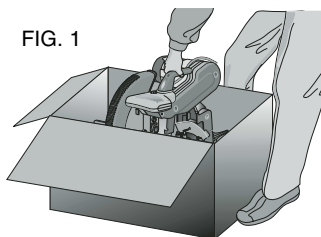


FIG. 1

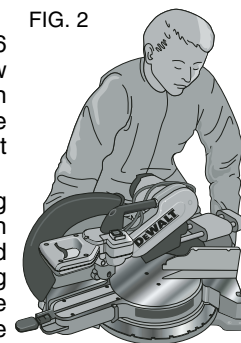


FIG. 2

Always use the carrying handle to transport the saw or the hand indentations shown in Figure 2.

Bench Mounting

Holes are provided in all 4 feet to facilitate bench mounting, as shown in Figure 4. (Two different sized holes are provided to accommodate different sizes of screws. Use either hole, it is not necessary to use both.) Always mount your saw firmly to a stable surface to prevent movement. To enhance the tool's portability, it can be mounted to a piece of 1/2" or thicker plywood which can then be clamped to your work support or moved to other job sites and reclamped.

NOTE: If you elect to mount your saw to a piece of plywood, make sure that the mounting screws don't protrude from the bottom of the wood. The plywood must sit flush on the work support. When clamping the saw to any work surface, clamp only on the clamping bosses where the mounting screw holes are located. Clamping at any other point will surely interfere with the proper operation of the saw.

CAUTION: To prevent binding and inaccuracy, be sure the mounting surface is not warped or otherwise uneven. If the saw rocks on the surface place a thin piece of material under one saw foot until the saw sits firmly on the mounting surface.

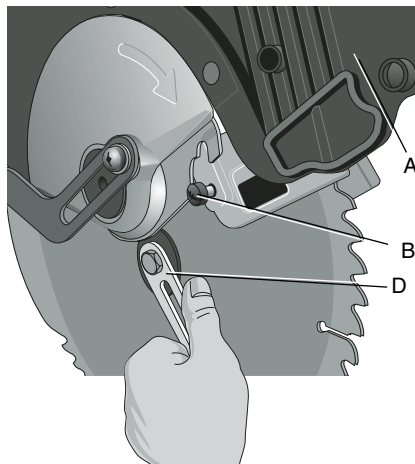
IMPORTANT SAFETY INSTRUCTIONS

Changing or Installing a New Saw Blade (Fig. 3)

CAUTION:

- Never depress the spindle lock button while the blade is under power or coasting.
- Do not cut ferrous metal (containing iron or steel) or masonry or fiber cement product with this miter saw.

FIG. 3

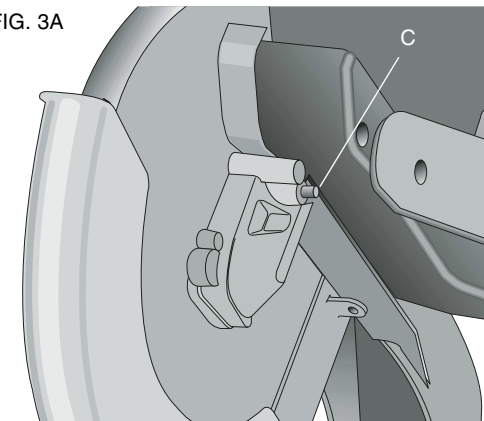


Removing the Blade

1. Unplug the saw.
2. Raise the arm to the upper position and raise the lower guard (A) as far as possible.
3. Loosen, but do not remove guard bracket screw (B) until the bracket can be raised far enough to access the blade screw. Lower guard will remain raised due to the position of the guard bracket screw.

FIG. 3A

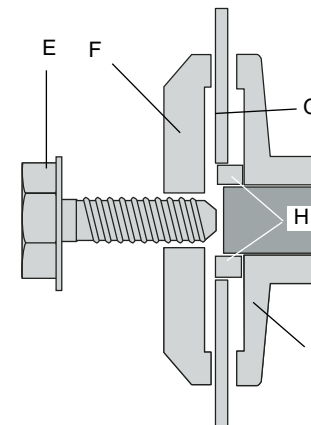
4.



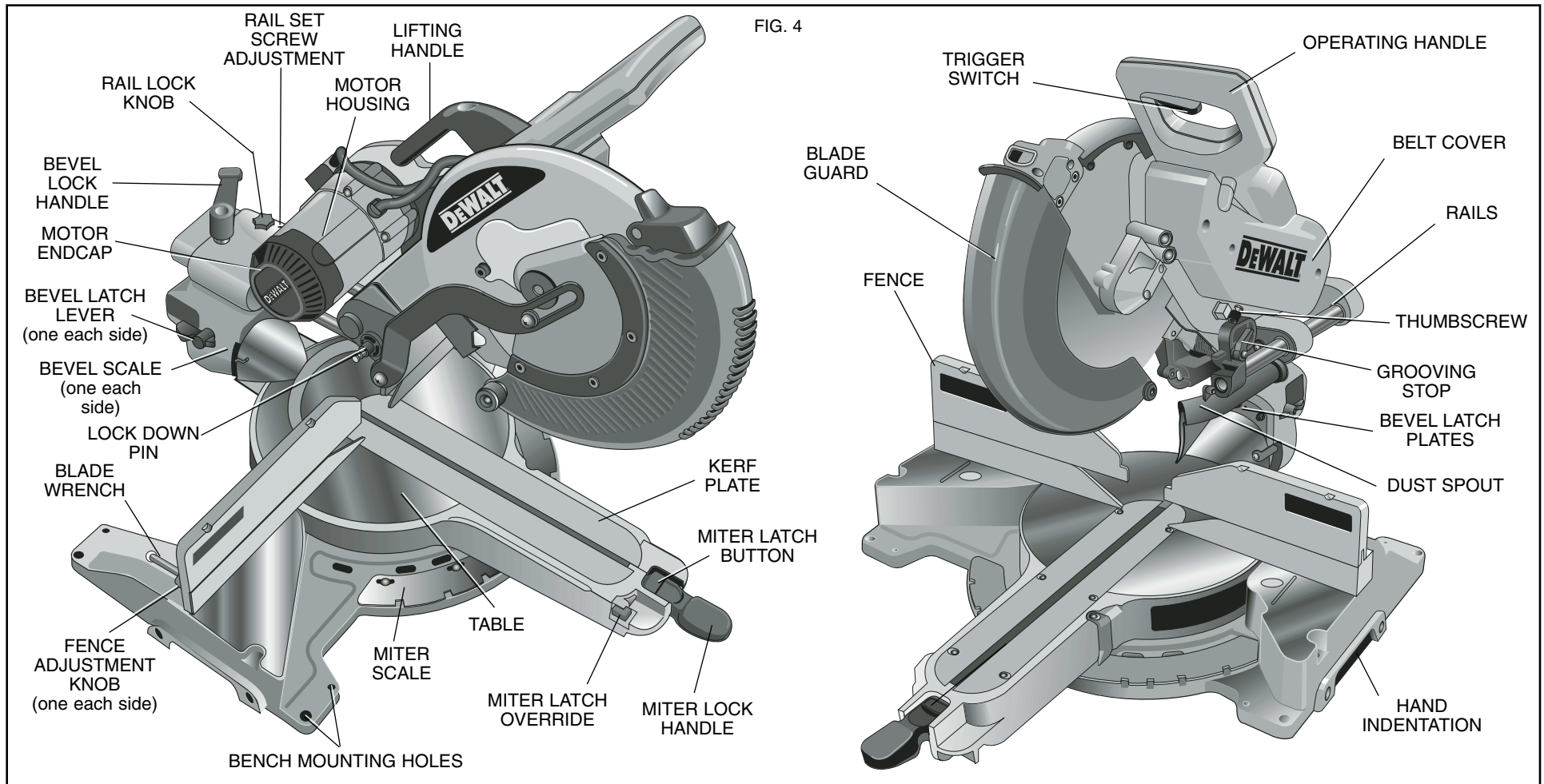
Depress the spindle lock button (C) while carefully rotating the saw blade by hand until the lock engages.

5. Keeping the button depressed, use the other hand and the wrench provided (D) to loosen the blade screw. (Turn clockwise, left-hand threads)
6. Remove the blade screw (E), outer clamp washer (F), blade (G) and blade adapter (H), if used. The inner clamp washer (I), may be left on the spindle.

FIG. 3B



NOTE: For blades with a blade hole of 5/8" (15.88mm), the 1" (25.4mm) blade adapter (H) is not used.



Installing a Blade

1. Unplug the saw.
2. With the arm raised, the lower guard held open and the pivot plate raised, place the blade on the spindle, onto the blade adapter [if using a blade with a 1" (25.4mm) diameter blade hole] and against the inner clamp washer with the teeth at the bottom of the blade pointing toward the back of the saw.
3. Assemble the outer clamp washer onto the spindle.
4. Install the blade screw and, engaging the spindle lock, tighten the screw firmly with wrench provided. (Turn counterclockwise, left-hand threads.)

NOTE: When using blades with a 5/8" (15.88mm) diameter blade hole, the blade adapter will not be used and should be stored in a safe place for future use.

5. Return the guard bracket to its original position and firmly tighten the guard bracket screw to hold bracket in place.

⚠ **WARNING:**

- **The guard bracket must be returned to its original position and the screw tightened before activating the saw.**

- **Failure to do so may allow the guard to contact the spinning saw blade resulting in damage to the saw and severe personal injury.**

Transporting the Saw

TURN OFF AND UNPLUG THE MITER SAW BEFORE ATTEMPTING TO MOVE IT OR MAKE ANY ADJUSTMENTS WHATSOEVER!

In order to conveniently carry the miter saw from place to place, a carrying handle has been included on the top of the saw arm and hand indentations in the base, as shown in Figure 4.

Adjustments

PERFORM ALL ADJUSTMENTS WITH THE MITER SAW UNPLUGGED

NOTE: Your miter saw is fully and accurately adjusted at the factory at the time of manufacture. If readjustment due to shipping and handling or any other reason is required, follow the steps below to adjust your saw.

Once made, these adjustments should remain accurate. Take a little time now to follow these directions carefully to maintain the accuracy of which your saw is capable.

MITER SCALE ADJUSTMENT (FIG. 5)

Place a square against the saw's fence and blade, as shown. (Do not touch the tips of the blade teeth with the square. To do so will cause an inaccurate measurement.) Loosen the miter lock handle and swing the miter arm until the miter latch locks it at the 0 miter position. Do not tighten the lock handle. If the saw blade is not exactly perpendicular to the fence, loosen the four screws that hold the miter scale to the base and move the scale left or right until the blade is perpendicular to the fence, as measured with the square. Retighten the four screws. Pay no attention to the reading of the miter pointer at this time.

MITER POINTER ADJUSTMENT (FIG. 6, 7)

Loosen the miter lock handle to move the miter arm to the zero position. With the miter lock handle loose allow the miter latch to snap into place as you rotate the miter arm to zero. Observe the pointer and miter scale shown in Figure 6. If the pointer does not indicate exactly zero, loosen the screw holding the pointer in place, reposition the pointer and tighten the screw.

BEVEL SQUARE TO TABLE ADJUSTMENT (FIG. 8)

To align the blade square to the table, lock the arm in the down position. Place a square against the blade and table taking care to not have the square touch a blade tooth. Loosen the bevel lock handle and ensure the bevel latch has firmly snapped into place at 0 degrees. If the saw blade is not exactly perpendicular to the table, loosen the nut which holds the 0 bevel latch plate to the table. Adjust the nut to allow some drag between the parts. Gently tap the motor or the belt cover to move the upper assembly until the blade is square to the table. Tighten the lock nut.

BEVEL POINTER (FIG. 8)

If the bevel pointers do not indicate zero, loosen each screw that holds each bevel pointer in place and move them as necessary.

BEVEL STOP 45° RIGHT AND LEFT ADJUSTMENT (FIG. 8)

Your saw has two 45 degree bevel adjustments, one for the right, and one for the left. The procedure is the same for each.

To align the 45 degree stops, lock the arm in the down position. Place a speed square against the blade and table taking care to not have the square touch a blade tooth. Loosen the bevel lock lever and ensure the bevel latch has firmly snapped into place at 45 degrees. If the saw blade is not 45 degrees to the table, loosen the nut which holds the 45 bevel latch plate to the table. Rotate the adjustment screw counterclockwise one or two turns so that the blade is less than 45 degrees to the table. Turn the adjustment screw clockwise until the blade is 45 degrees to the table. Tighten the lock nut.

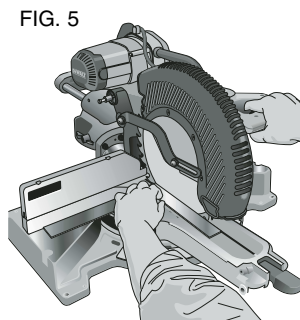


FIG. 5

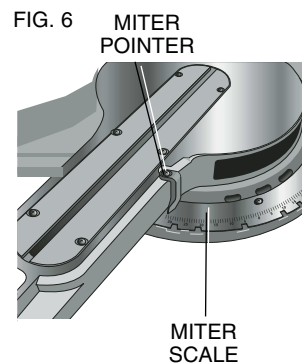


FIG. 6

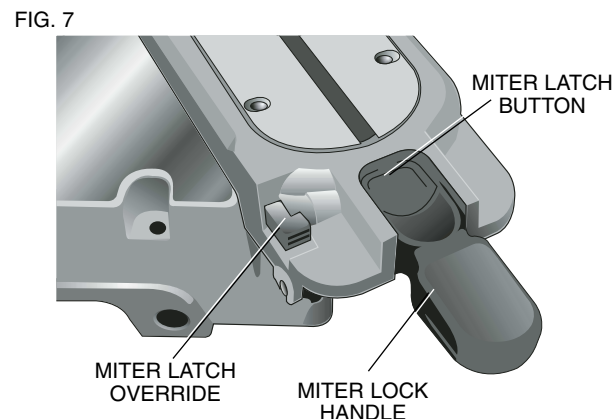


FIG. 7

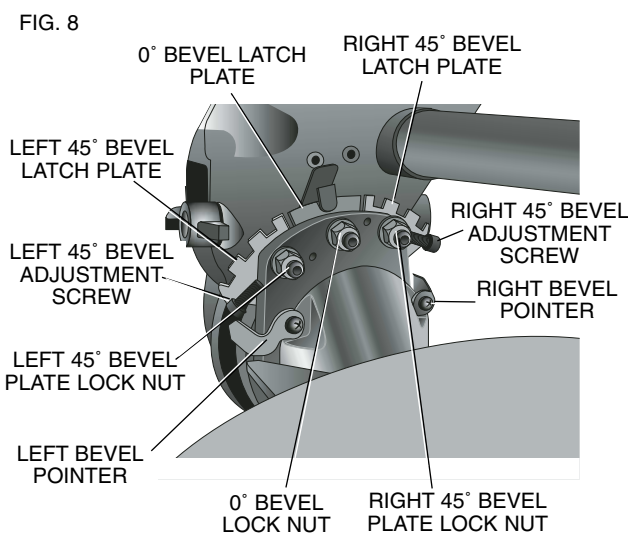


FIG. 8

FENCE ADJUSTMENT (FIG. 9)

Turn Off and Unplug the Miter Saw.

In order that the saw can bevel to a full 48 degrees left or right, one of the fences can be adjusted to provide clearance. To adjust the fences, loosen a plastic knob and slide the fence outward. Make a dry run with the saw turned off and check for clearance. Adjust the fence to be as close to the blade as practical to provide maximum workpiece support, without interfering with arm up and down movement. Tighten knob securely. When the bevel operations are complete, don't forget to relocate the fence.

NOTE: The guide groove of the fences can become clogged with sawdust. If you notice that it is becoming clogged, use a stick or some low pressure air to clear the guide groove.

AUTOMATIC ELECTRIC BRAKE

Your saw is equipped with an automatic electric blade brake which stops the saw blade within 5 seconds of trigger release. This is not adjustable.

On occasion, there may be a delay after trigger release to brake engagement. On rare occasions, the brake may not engage at all and the blade will coast to a stop.

If a delay or "skipping" occurs, turn the saw on and off 4 or 5 times. If the condition persists, have the tool serviced by an authorized DeWALT service center.

Always be sure the blade has stopped before removing it from the kerf. The brake is not a substitute for guards or for ensuring your own safety by giving the saw your complete attention.

GUARD ACTUATION AND VISIBILITY

The blade guard on your saw has been designed to automatically raise when the arm is brought down and to lower over the blade when the arm is raised.

The guard can be raised by hand when installing or removing saw blades or for inspection of the saw. **NEVER RAISE THE BLADE GUARD MANUALLY UNLESS THE SAW IS TURNED OFF.**

NOTE: Certain special cuts of large material will require that you manually raise the guard. See page 12.

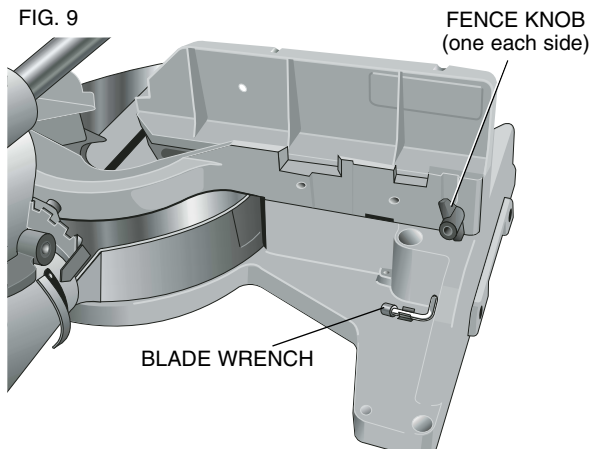
The front section of the guard is lowered for visibility while cutting. Although the louvers dramatically reduce flying debris, they are openings in the guard and safety glasses should be worn at all times when viewing through the louvers.

KERF PLATE ADJUSTMENT

To adjust the kerf plates, loosen the screws holding the kerf plates in place. Adjust so that the kerf plates are as close as possible without interfering with the blade's movement.

RAIL GUIDE ADJUSTMENT

Periodically check the rails for any play or clearance. The right rail can be adjusted with the set screw shown in Figure 4. To reduce clearance, use a 4mm hex wrench and rotate the set screw clockwise gradually while sliding the



saw head back and forth. Reduce play while maintaining minimum slide force.

MITER LOCK ADJUSTMENT

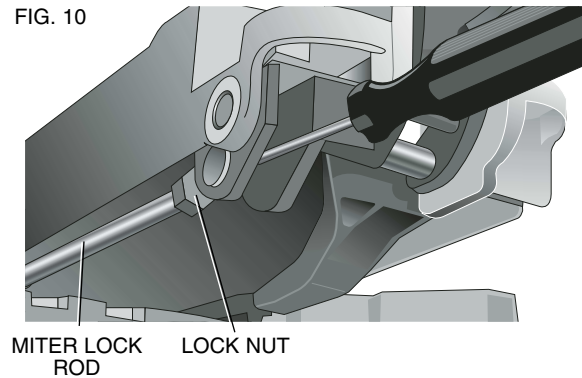
The miter lock rod should be adjusted if the table of the saw can be moved when the miter lock is locked down. To adjust the miter lock handle, put the miter lock handle in the up, unlocked position. Using a 13mm open end wrench, loosen the lock nut on the miter lock rod (Fig. 10). Using a slotted screwdriver, tighten the miter lock rod by turning it clockwise as shown in Figure 10. Turn the lock rod until it is snug, then turn counterclockwise one turn. To ensure the miter lock handle is functioning properly, re-lock the miter lock to a non-detented measurement on the miter scale – for example, 34 degrees – and ensure the table will not rotate. Tighten lock nut.

Brushes

DISCONNECT PLUG FROM POWER SUPPLY.

Inspect carbon brushes regularly by unplugging tool, removing the motor end cap (Fig. 4), lift the brush spring and withdraw the brush assembly. Keep brushes clean and sliding freely in their guides. Always replace a used brush in the same orientation in the holder as it was prior to its removal. Carbon brushes have varying symbols stamped into their sides, and if the brush is worn down to approximately 1/2 inch, the spring will no longer exert pressure and they must be replaced. Use only identical DEWALT brushes. Use of the correct grade of brush is essential for proper operation of electric brake. New brush assemblies are available at DEWALT service centers. The tool should be allowed to “run in” (run at no load) for 10 minutes before use to seat new brushes. The electric brake may be erratic in operation until the brushes are properly seated (worn in). Always replace the brush inspection cap after inspection or servicing the brushes.

While “running in” DO NOT TIE, TAPE, OR OTHERWISE LOCK THE TRIGGER SWITCH ON. HOLD BY HAND ONLY.



Controls

Your compound miter saw has several main controls, which will be discussed briefly here. For more information on these controls, see the respective sections earlier in the manual.

MITER CONTROL (FIG. 7)

The miter adjustment/lock handle and detent trigger allows you to miter your saw to 60 left and 50 right. To miter the saw, lift the miter adjustment/lock handle, push the miter latch button and set the set the miter angle desired on the miter scale. Push down on the lock handle to lock the saw table in place.

TRIGGER SWITCH

The trigger switch (Fig. 4) turns your saw on and off. A hole is provided in the trigger for insertion of a padlock to secure the saw.

MITER LATCH OVERRIDE (FIG. 7)

The miter latch override allows your saw to override the common stop angles. To override the common stop angles, push the miter latch button and flip the miter latch override lever to the vertical position.

BEVEL CONTROL (FIG. 8)

The bevel latch levers and bevel lock handle allow you to bevel the saw to 48 degrees left and right. Your saw has two bevel latch levers, one on either side of the rear support housing. Only one needs to be used to move the bevel to either direction. The bevel lock handle is on top of the rear support housing. To bevel the saw, loosen the bevel lock handle. Lift one of the levers to approximately 45 degrees and set the bevel angle desired on the bevel scale. Two bevel scales are provided for convenience. Lock the bevel lock handle to lock the bevel in place. The bevel latch levers can be lifted vertically to override the common stop angles.

The bevel lock handle is designed to have a limited rotation amount. The handle can be reoriented to compensate for normal wear. The bevel lock handle should be reoriented if the bevel of the saw can be moved when the bevel

lock handle is tightened. To adjust the bevel lock handle, remove the screw in the center of the handle. Carefully pry off the handle using a flat bladed screwdriver. Reorient and install the handle such that it will hold the bevel when tightened. Install and tighten screw.

RAIL LOCK KNOB (FIG. 4)

The rail lock knob allows you to lock the saw head firmly to keep it from sliding on the rails. This is necessary when making certain cuts or when transporting the saw.

GROOVING STOP (FIG. 4)

The grooving stop allows for groove cutting. Flipping the lever toward the front of the saw and adjusting the thumb-screw changes the depth of the groove cut. Flipping the lever toward the rear of the saw bypasses the grooving stop.

HEAD DOWNLOCK PIN (FIG. 4)

To lock the saw head in the down position, push the head down, push the pin in and release the saw head. This will hold the saw head safely down for moving the saw from place to place. To release, press the saw head down and pull the pin out.

Operation

Plug the saw into any household 60 Hz power source. Refer to the nameplate for voltage. Be sure the cord will not interfere with your work.

SWITCH

To turn the saw on, depress the trigger switch. To turn the tool off, release the switch. Allow the blade to spin up to full operating rpm before making the cut. Release the trigger switch and allow the brake to stop the blade before raising the saw head. There is no provision for locking the switch on, but a hole is provided in the trigger for insertion of a padlock to lock the saw off.

CUTTING WITH YOUR SAW

If the slide feature is not used, ensure the saw head is pushed back as far as possible and the rail lock knob is tightened. This will prevent the saw from sliding along its rails as the workpiece is engaged.

NOTE: Although this saw will cut wood and many non-ferrous materials, we will limit our discussion to the cutting of wood only. The same guidelines apply to the other materials. **DO NOT CUT FERROUS (IRON AND STEEL) MATERIALS OR MASONRY WITH THIS SAW.** Do not use any abrasive blades.

CROSSCUTS

Cutting of multiple pieces is not recommended but can be done safely by ensuring that each piece is held firmly against the table and fence. When the saw comes up to speed (about 1 second) lower the arm smoothly and slowly to cut through the wood. Let the blade come to a full stop before raising arm.

A crosscut is made by cutting wood across the grain at any angle. A straight crosscut is made with the miter arm at the zero degree position. Set and lock the miter arm at zero, hold the wood firmly on the table and against the fence. With the rail lock knob tightened, turn on the saw by squeezing the trigger switch shown in Figure 4.

When the saw comes up to speed (about 1 second) lower the arm smoothly and slowly to cut through the wood. Let the blade come to a full stop before raising arm.

When cutting anything larger than a 2 x 8 (2 x 6 at 45 degree miter) use an out-down-back motion with the rail lock knob loosened. Pull the saw out, toward you, lower the saw head down toward the workpiece, and slowly push the saw back to complete the cut. Do not allow the saw to contact the top of the workpiece while pulling out. The saw may run toward you, possibly causing personal injury or damage to the workpiece.

NOTE: To provide greater crosscut capacity with reduced stroke the blade on the DW718 extends deeper into the table. As a result a greater lifting force on the workpiece may be experienced during the cut.

▲ CAUTION: Always use a work clamp to maintain control and reduce the risk of workpiece damage and personal injury.

NOTE: The rail lock knob shown in Figure 4 must be loose to allow the saw to slide along its rails.

Miter crosscuts are made with the miter arm at some angle other than zero. This angle is often 45 degrees for making corners, but can be set anywhere from zero to 50 degrees left or right. Make the cut as described above.

When cutting wider workpieces wider than a 2 x 6 that are shorter in length, always place the longer side against the fence (Fig. 12).

BEVEL CUTS

A bevel cut is a crosscut made with the saw blade at an angle to the wood. In order to set the bevel, loosen the bevel lock handle, lift the bevel latch lever, Figure 4, and move the saw to the left or right as desired. (It is necessary to move the fence to allow clearance). Once the desired bevel angle has been set, tighten the bevel clamp handle firmly.

Bevel angles can be set from 48 degrees right to 48 degrees left and can be cut with the miter arm set between 50 degrees right or 60 degrees left. At some extreme angles, the right or left side fence might have to be removed. To remove the left or right fence, unscrew the Fence Adjustment Knob several turns and slide the fence out.

QUALITY OF CUT

The smoothness of any cut depends on a number of variables. Things like material being cut, blade type, blade sharpness and rate of cut all contribute to the quality of the cut.

FIG. 11

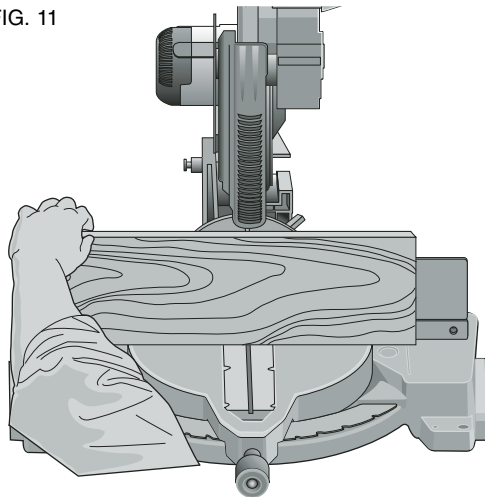
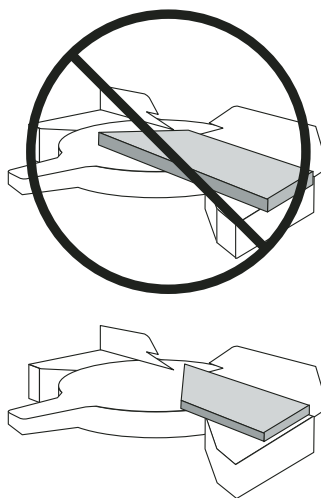


FIG. 12



When smoothest cuts are desired for molding and other precision work, a sharp (60 tooth carbide) blade and a slower, even cutting rate will produce the desired results.

Ensure that material does not creep while cutting, clamp it securely in place. Always let the blade come to a full stop before raising arm.

If small fibers of wood still split out at the rear of the workpiece, stick a piece of masking tape on the wood where the cut will be made. Saw through the tape and carefully remove tape when finished.

For varied cutting applications, refer to the list of recommended saw blades for your saw and select the one that best fits your needs (page 4).

FIG. 13A

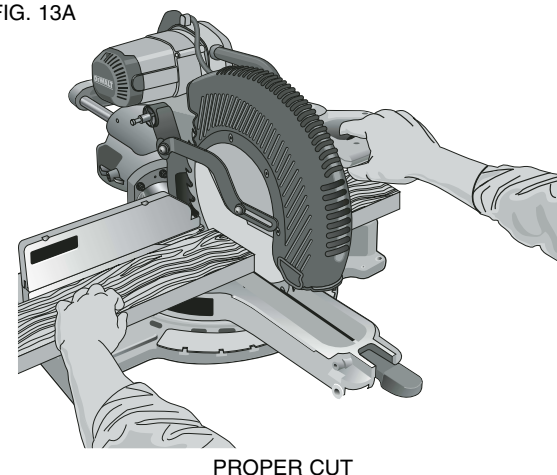
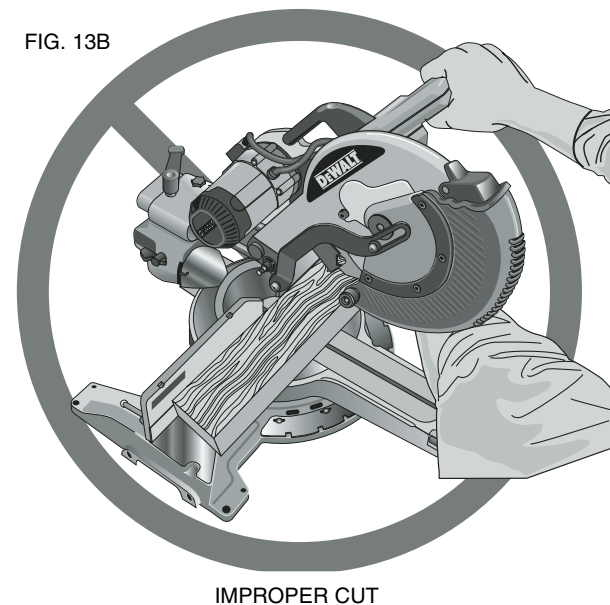


FIG. 13B



BODY AND HAND POSITION (FIG. 13A)

Proper positioning of your body and hands when operating the miter saw will make cutting easier, more accurate and safer. Never place hands near cutting area. Place hands no closer than 6" from the blade. Hold the workpiece tightly to the table and the fence when cutting. Keep hands in position until the trigger has been released and the blade has completely stopped. ALWAYS MAKE DRY RUNS (UNPOWERED) BEFORE FINISH CUTS SO THAT YOU CAN CHECK THE PATH OF THE BLADE. DO NOT CROSS HANDS, AS SHOWN IN FIGURE 13B.

Keep both feet firmly on the floor and maintain proper balance. As you move the miter arm left and right, follow it and

stand slightly to the side of the saw blade. Sight through the guard louvers when following a pencil line.

CLAMPING THE WORKPIECE

Turn Off and Unplug Saw.

If you cannot secure the workpiece on the table and against the fence by hand, (irregular shape, etc.) or your hand would be less than 6" from the blade, a clamp or other fixture must be used.

For best results use the DW7082 clamp made for use with your saw. Another type of clamp may be supplied with your DW718. To purchase the DW7082 contact your local retailer or DEWALT service center.

Other aids such as spring clamps, bar clamps or C-clamps may be appropriate for certain sizes and shapes of material. Use care in selecting and placing these clamps. Take time to make a dry run before making the cut. The left or right fence will slide from side to side to aid in clamping.

TO INSTALL CLAMP

1. Insert it into the hole behind the fence. The clamp should be facing toward the back of the miter saw. The groove on the clamp rod should be fully inserted into the base. Ensure this groove is fully inserted into the base of the miter saw.
If the groove is visible, the clamp will not be secure.
2. Rotate the clamp 180 degrees toward the front of the miter saw.
3. Loosen the knob to adjust the clamp up or down, then use the fine adjust knob to firmly clamp the workpiece.

NOTE: Place the clamp on the opposite side of the base when beveling. ALWAYS MAKE DRY RUNS (UNPOWERED) BEFORE FINISH CUTS TO CHECK THE PATH OF THE BLADE. ENSURE THE CLAMP DOES NOT INTERFERE WITH THE ACTION OF THE SAW OR GUARDS.

▲ WARNING: A workpiece that is clamped, balanced and secure before a cut may become unbalanced after a cut is completed. An unbalanced load may tip the saw or anything the saw is attached to, such as a table or workbench. When making a cut that may become unbalanced, properly support the workpiece and ensure the saw is firmly bolted to a stable surface.

▲ WARNING: The clamp foot must remain clamped above the base of the saw whenever the clamp is used. Always clamp the workpiece to the base of the saw—not to any other part of the work area. Ensure the clamp foot is not clamped on the edge of the base of the saw.

SUPPORT FOR LONG PIECES

Turn Off and Unplug Saw.

ALWAYS SUPPORT LONG PIECES.

Never use another person as a substitute for a table extension; as additional support for a workpiece that is longer or wider than the basic miter saw table or to help feed, support or pull the workpiece.

FIG. 14

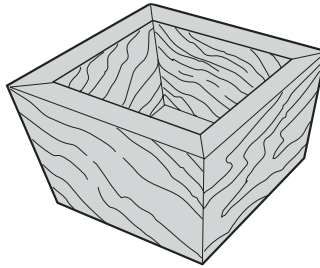


FIG. 15

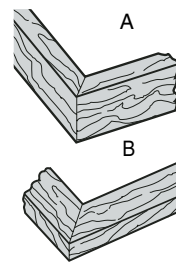
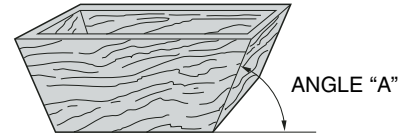


FIG. 16



For best results, use the DW7080 extension work support to extend the table width of your saw. Available from your dealer at extra cost. Support long workpieces using any convenient means such as sawhorses or similar devices to keep the ends from dropping.

CUTTING PICTURE FRAMES, SHADOW BOXES AND OTHER FOUR-SIDED PROJECTS

To best understand how to make the items listed here, we suggest that you try a few simple projects using scrap wood until you develop a "FEEL" for your saw.

Your saw is the perfect tool for mitering corners like the one shown in Figure 14. Sketch A in Figure 15 shows a joint made by using the bevel adjustment to bevel the edges of the two boards at 45 degrees each to produce a 90 degree corner. For this joint the miter arm was locked in the zero position and the bevel adjustment was locked at 45 degrees. The wood was positioned with the broad flat side against the table and the narrow edge against the fence. The cut could also be made by mitering right and left with the broad surface against the fence.

CUTTING TRIM MOLDING AND OTHER FRAMES

Sketch B in Figure 14 shows a joint made by setting the miter arm at 45 degrees to miter the two boards to form a 90 degree corner. To make this type of joint, set the bevel adjustment to zero and the miter arm to 45 degrees. Once again, position the wood with the broad flat side on the table and the narrow edge against the fence.

The two sketches in Figure 11 are for four side objects only.

As the number of sides changes, so do the miter and bevel angles. The chart below gives the proper angles for a variety of shapes.

(The chart assumes that all sides are of equal length.) For a shape that is not shown in the chart, use the following

formula. 180 degrees divided by the number of sides equals the miter (if the material is cut vertically) or bevel angle (if the material is cut laying flat).

- EXAMPLES -	
NO. SIDES	ANGLE MITER OR BEVEL
4	45°
5	36°
6	30°
7	25.7°
8	22.5°
9	20°
10	18°

CUTTING COMPOUND MITERS

A compound miter is a cut made using a miter angle and a bevel angle at the same time. This is the type of cut used to make frames or boxes with slanting sides like the one shown in Figure 16.

NOTE: If the cutting angle varies from cut to cut, check that the bevel clamp knob and the miter lock knob are securely tightened. These knobs must be tightened after making any changes in bevel or miter.

The chart shown on page 14 will assist you in selecting the proper bevel and miter settings for common compound miter cuts. To use the chart, select the desired angle "A" (Figure 16) of your project and locate that angle on the appropriate arc in the chart. From that point follow the chart straight down to find the correct bevel angle and straight across to find the correct miter angle.

Set your saw to the prescribed angles and make a few trial cuts. Practice fitting the cut pieces together until you develop a feel for this procedure and feel comfortable with it.

Example: To make a 4 sided box with 26 degree exterior angles (Angle A, Figure 15), use the upper right arc. Find 26° on the arc scale. Follow the horizontal intersecting line to either side to get miter angle setting on saw (42°). Likewise, follow the vertical intersecting line to the top or bottom to get the bevel angle setting on the saw (18°). Always try cuts on a few scrap pieces of wood to verify settings on saw.

CUTTING BASE MOLDING

ALWAYS MAKE A DRY RUN WITHOUT POWER BEFORE MAKING ANY CUTS.

Straight 90 degree cuts:

Position the wood against the fence and hold it in place as shown in Figure 11. Turn on the saw, allow the blade to reach full speed and lower the arm smoothly through the cut.

CUTTING BASE MOLDING UP TO 6.5" (165MM) HIGH VERTICALLY AGAINST THE FENCE

Position material as shown in Figure 11.

All cuts made with the back of the molding against the fence and bottom of the molding against the base.

INSIDE CORNER:

Left side

1. Miter left 45°
2. Save left side of cut

Right side

1. Miter Right 45°
2. Save right side of cut

OUTSIDE CORNER:

Left side

1. Miter right at 45°
2. Save left side of cut

Right side

1. Miter left at 45°
2. Save right side of cut

Material up to 6.5" (159mm) can be cut as described above.

CUTTING CROWN MOLDING

Your miter saw is better suited to the task of cutting crown molding than any tool made. In order to fit properly, crown molding must be compound mitered with extreme accuracy.

The two flat surfaces on a given piece of crown molding are at angles that, when added together, equal exactly 90 degrees. Most, but not all, crown molding has a top rear angle (the section that fits flat against the ceiling) of 52 degrees and a bottom rear angle (the part that fits flat against the wall) of 38 degrees.

Your miter saw has special pre-set miter latch points at 31.62 degrees left and right for cutting crown molding at the proper angle and bevel stop pawls at 33.85° left and right. There is also a mark on the Bevel scale at 33.85 degrees.

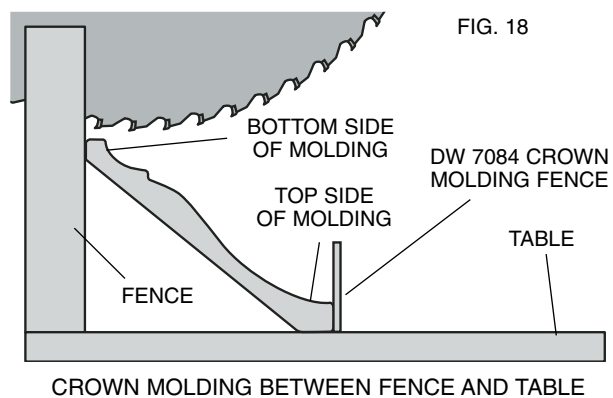
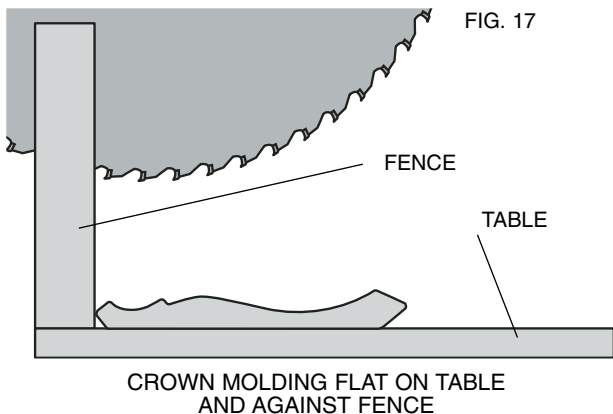
The chart below gives the proper settings for cutting crown molding. (The numbers for the miter and bevel settings are very precise and are not easy to accurately set on your saw.) Since most rooms do not have angles of precisely 90 degrees, you will have to fine tune your settings anyway.

PRETESTING WITH SCRAP MATERIAL IS EXTREMELY IMPORTANT!

INSTRUCTIONS FOR CUTTING CROWN MOLDING LAYING FLAT AND USING THE COMPOUND FEATURES

1. Molding laying with broad back surface down flat on saw table (Figure 17).
2. The settings below are for All Standard (U.S.) crown molding with 52° and 38° angles.

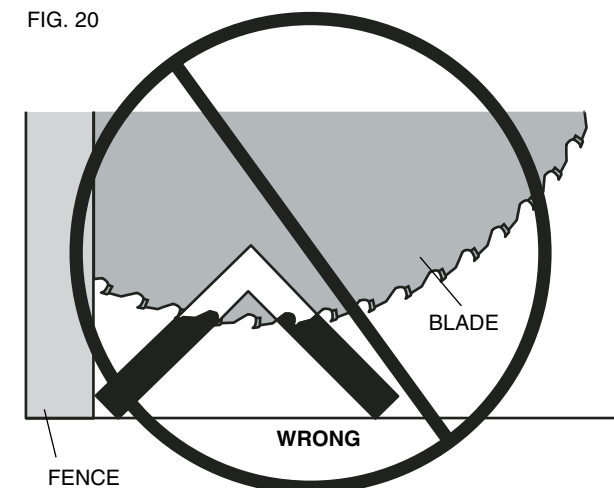
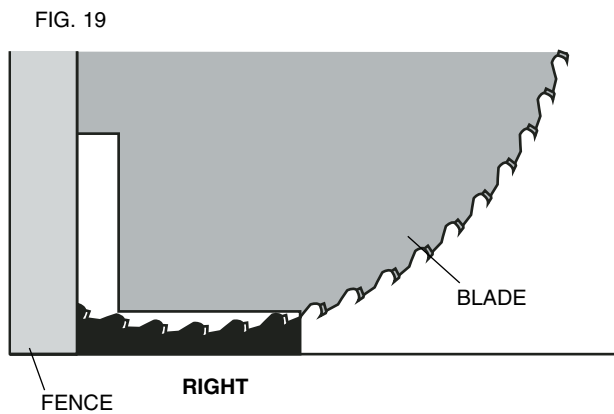
BEVEL SETTING	TYPE OF CUT
33.85° Left	LEFT SIDE, INSIDE CORNER: 1. Top of molding against fence 2. Miter table set right 31.62° 3. Save left end of cut



33.85° Right	RIGHT SIDE, INSIDE CORNER: 1. Top of molding against fence. 2. Miter table set at left 31.62° 3. Save right end of cut
33.85° Right	LEFT SIDE, OUTSIDE CORNER: 1. Top of molding against fence. 2. Miter table set at left 31.62° 3. Save left end of cut
33.85° Left	RIGHT SIDE, OUTSIDE CORNER: 1. Top of molding against fence 2. Miter table set right 31.62° 3. Save right end of cut

When setting bevel and miter angles for all compound miters, remember that:

The angles presented for crown moldings are very precise and difficult to set exactly. Since they can easily shift slightly and very few rooms have exactly square corners, all settings should be tested on scrap molding.



PRETESTING WITH SCRAP MATERIAL IS EXTREMELY IMPORTANT!

ALTERNATIVE METHOD FOR CUTTING CROWN MOLDING

Place the molding on the table at an angle between the fence and the saw table, as shown in Figure 18. Use of the crown molding fence accessory (DW7084) is highly recommended because of its degree of accuracy and convenience. The crown molding fence accessory is available for purchase from your local dealer.

The advantage to cutting crown molding using this method is that no bevel cut is required. Minute changes in the miter angle can be made without affecting the bevel angle. This way, when corners other than 90 degrees are encountered, the saw can be quickly and easily adjusted for them. Use the crown molding fence accessory to maintain the angle at which the molding will be on the wall.

INSTRUCTIONS FOR CUTTING CROWN MOLDING ANGLED BETWEEN THE FENCE AND BASE OF THE SAW FOR ALL CUTS:

1. Angle the molding so the bottom of the molding (part which goes against the wall when installed) is against the fence and the top of the molding is resting on the base of the saw, as shown in Figure 18.
2. The angled "flats" on the back of the molding must rest squarely on the fence and base of the saw.

INSIDE CORNER:

Left side

1. Miter right at 45°
2. Save the right side of cut

Right side

1. Miter left at 45°
2. Save left side of cut

OUTSIDE CORNER:

Left side

1. Miter left at 45°
2. Save right side of cut

Right side

1. Miter right at 45°
2. Save left side of cut

Special Cuts

NEVER MAKE ANY CUT UNLESS THE MATERIAL IS SECURED ON THE TABLE AND AGAINST THE FENCE.

ALUMINUM CUTTING

ALWAYS USE THE APPROPRIATE SAW BLADE MADE ESPECIALLY FOR CUTTING ALUMINUM. These are available at your local DEWALT retailer or DEWALT service center. Certain workpieces, due to their size, shape or surface finish, may require the use of a clamp or fixture to prevent movement during the cut. Position the material so that you will be cutting the thinnest cross section, as shown in Figure 19. Figure 20 illustrates the wrong way to cut these extrusions. Use a stick wax cutting lubricant when cutting aluminum. Apply the stick wax cutting lubricant directly to the saw blade before cutting. Never apply stick wax to a moving blade.

The wax, available at most hardware stores and industrial mill supply houses, provides proper lubrication and keeps chips from adhering to the blade.

Be sure to properly secure workpiece. Refer to page 4 for correct saw blade.

BOWED MATERIAL

When cutting bowed material always position it as shown in Figure 21 and never like that shown in Figure 22. Positioning the material incorrectly will cause it to pinch the blade near the completion of the cut.

FIG. 21

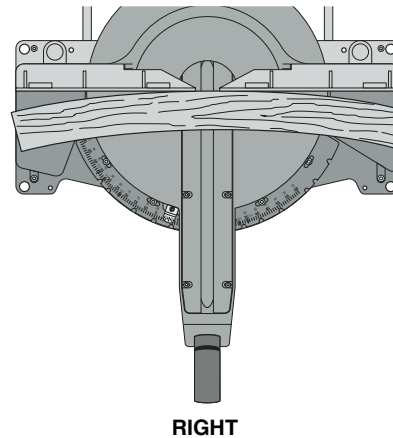


FIG. 22

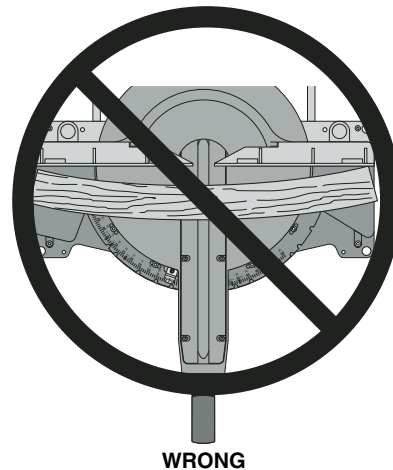
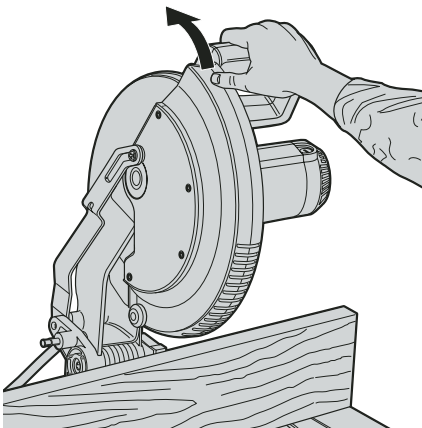


FIG. 23



CUTTING PLASTIC PIPE OR OTHER ROUND MATERIAL

Plastic pipe can be easily cut with your saw. It should be cut just like wood and **CLAMPED OR HELD FIRMLY TO THE FENCE TO KEEP IT FROM ROLLING**. This is extremely important when making angle cuts.

CUTTING LARGE MATERIAL

Occasionally you will encounter a piece of wood a little too large to fit beneath the blade guard. If this occurs, simply place your right thumb on the upper side of the guard and roll the guard up just enough to clear the workpiece, as shown in Figure 23. Avoid doing this as much as possible, but if need be, the saw will operate properly and make the bigger cut. **NEVER TIE, TAPE, OR OTHERWISE HOLD THE GUARD OPEN WHEN OPERATING THIS SAW.**

SPECIAL SET-UP FOR WIDE CROSSCUTS

Your saw can cut very wide [up to 16 inch (406mm)] workpieces when a special set up is used. To set the saw up for these workpieces, follow these steps:

1. Remove both left and right sliding fences from the saw and set aside. To remove them, unscrew the fence knobs several turns and slide each fence outward. Adjust and lock the miter control so that it is at 0 degrees miter.
2. Make a platform using a piece of 1.5 inch (38mm) thick particleboard or similar flat strong 1.5 inch thick wood to the dimensions: 14.5" x 26" (368 x 660mm). The platform must be flat otherwise the material could move during cutting and cause injury.
3. Mount the 14.5" x 26" platform to the saw using 4 three-inch long wood screws through the holes in the base fence (Fig. 24). Four screws must be used to properly secure the material. When the special set up is used, the platform will be cut into two pieces. Ensure the screws are tightened properly otherwise material could loosen and cause injury. Ensure the platform is firmly flat on the table, against the fence, and centered evenly from left to right.

⚠ WARNING: Ensure the saw is mounted firmly to a stable flat surface. Failure to do so could cause the saw to be unstable and fall causing personal injury.

4. Place the workpiece to be cut on top of the platform mounted to the table. Ensure the workpiece is firmly against the backfence (Fig. 25).
5. Secure the material before cutting. Cut slowly through the material using a out-down-and-back motion. Failure to clamp securely or cut slowly could result in the material coming loose and causing injury.

After several cuts are made at various miter angles other than 0°, the platform may weaken and not properly support the work. Install a new, unused platform to the saw after presetting the desired miter angle.

▲ CAUTION: Continued use of a platform with several kerfs may cause loss of material control and possible injury.

Removing and Replacing Belt

The belt is designed to last the life of the tool. However, abuse of the tool could cause the belt to fail.

If the blade does not turn when the motor is running, the belt has failed. To inspect or replace the belt, remove the belt cover screws. Remove the belt cover. Inspect the ribs of the belt for wear or failure. Check belt tension by squeezing the belt as shown in Figure 26. The belt halves should almost touch when squeezing firmly with the thumb and index finger. To adjust the tension, loosen, but do not remove, the four Phillips head screws shown. Then rotate the set screw on the top of the motor plate casting until the proper tension is achieved. Tighten the four screws securely and replace the belt cover.

NOTE: Over tightening the belt will cause premature motor failure.

Maintenance

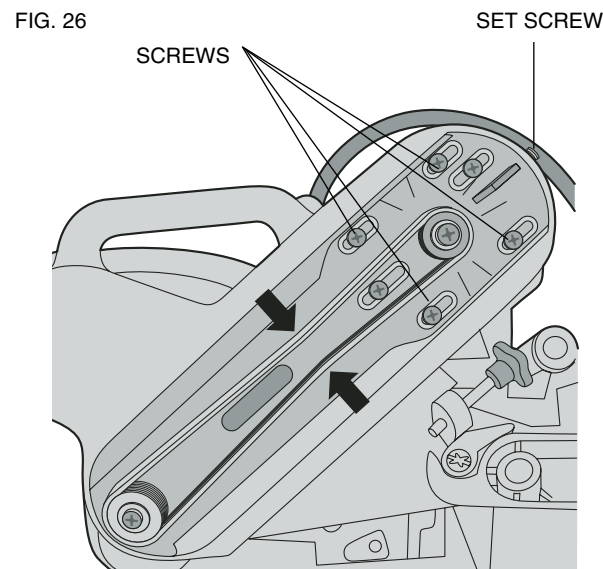
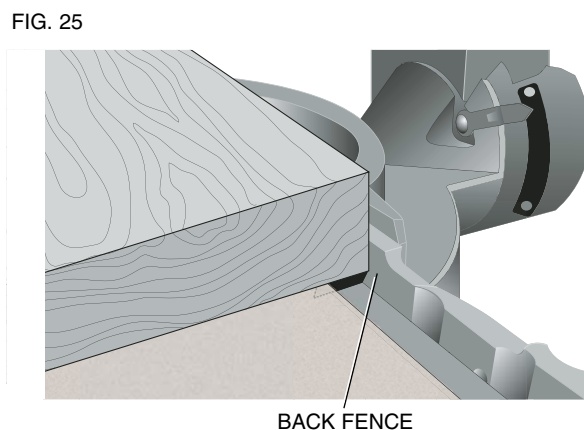
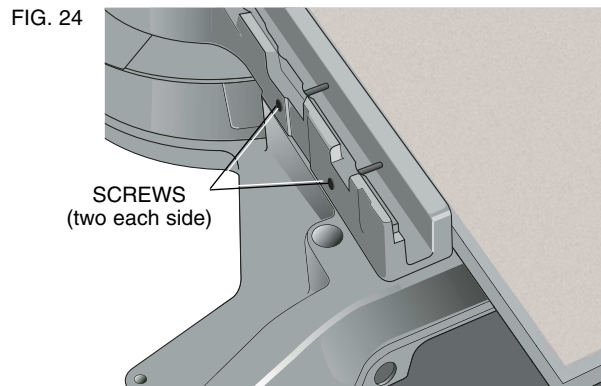
1. All bearings are sealed. They are lubricated for life and need no further maintenance.
2. Periodically clean all dust and wood chips from around AND UNDER the base and the rotary table. Even though slots are provided to allow debris to pass through, some dust will accumulate.
3. The brushes are designed to give you several years of use. If they ever need replacement follow the instructions on page 8 or return the tool to the nearest service center for repair. Service center locations are packed with your tool.

Repairs

To assure product SAFETY and RELIABILITY, repairs, maintenance and adjustments should be performed by a DeWALT factory service center, a DeWALT authorized service center or other qualified service personnel. Always use identical replacement parts.

Three Year Limited Warranty

DeWALT will repair, without charge, any defects due to faulty materials or workmanship for three years from the date of purchase. This warranty does not cover part failure due to normal wear or tool abuse. For further detail of warranty coverage and warranty repair information, visit www.dewalt.com or call 1-800-4-DeWALT (1-800-433-9258). This warranty does not apply to accessories or damage caused where repairs have been made or attempted by others. This warranty gives you specific legal rights and you may have other rights which vary in certain states or provinces.



In addition to the warranty, DeWALT tools are covered by our:

1 YEAR FREE SERVICE

DeWALT will maintain the tool and replace worn parts caused by normal use, for free, any time during the first year after purchase.

90 DAY MONEY BACK GUARANTEE

If you are not completely satisfied with the performance of your DeWALT Power Tool, Laser, or Nailer for any reason, you can return it within 90 days from the date of purchase with a receipt for a full refund – no questions asked.

RECONDITIONED PRODUCT: Reconditioned product is covered under the 1 Year Free Service Warranty. The 90 Day Money Back Guarantee and the Three Year Limited Warranty do not apply to reconditioned product.

FREE WARNING LABEL REPLACEMENT: If your warning labels become illegible or are missing, call 1-800-4-DeWALT for a free replacement.

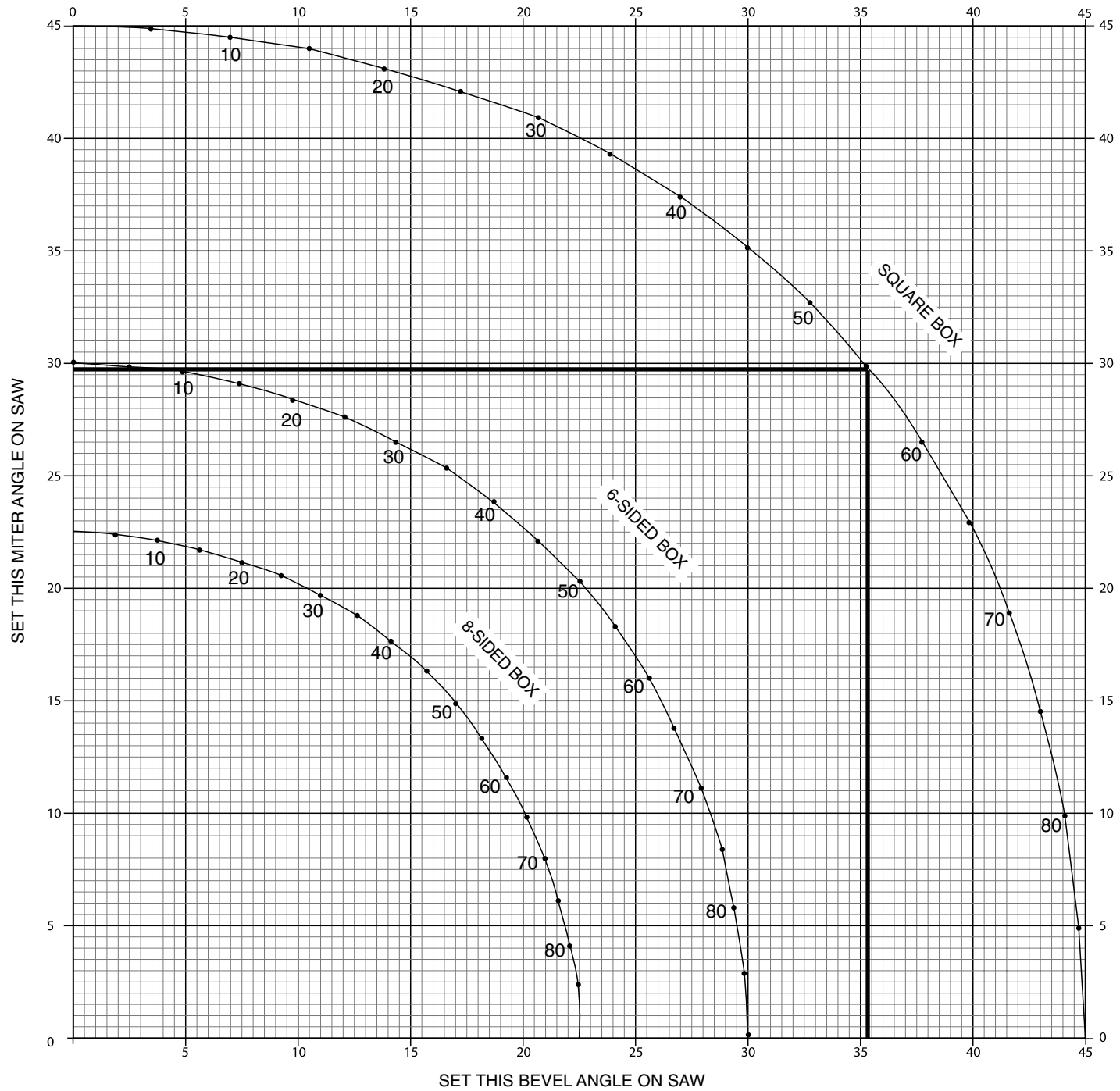
Patent Notification

Manufactured under one or more of the following U.S. patents:

6,823,765	6,101,914	5,907,987	5,375,495
6,810,780	6,035,754	5,862,734	5,285,708
6,520,059,	6,032,563	5,582,089	5,199,343

Other patents may be pending.

TABLE 1 COMPOUND MITER CUT (Position wood with broad flat side on the table and the narrow edge against the fence.)



Troubleshooting Guide

BE SURE TO FOLLOW SAFETY RULES AND INSTRUCTIONS

TROUBLE! SAW WILL NOT START

WHAT'S WRONG?

1. Saw not plugged in
2. Fuse blown or circuit breaker tripped
3. Cord damaged
4. Brushes worn out

WHAT TO DO...

1. Plug in saw.
2. Replace fuse or reset circuit breaker.
3. Have cord replaced by authorized service center.
4. Have brushes replaced by authorized service center or replace them yourself as instructed on page 8.

TROUBLE! SAW MAKES UNSATISFACTORY CUTS

WHAT'S WRONG?

1. Dull blade
2. Blade mounted backwards
3. Gum or pitch on blade
4. Incorrect blade for work being done

WHAT TO DO...

1. Replace blade. See page 5.
2. Turn blade around. See page 6.
3. Remove blade and clean with turpentine and coarse steel wool or household oven cleaner.
4. Change the blade type. See page 4.

TROUBLE! BLADE DOES NOT COME UP TO SPEED

WHAT'S WRONG?

1. Extension cord too light or too long
2. Low house current

WHAT TO DO...

1. Replace with adequate size cord. See page 2.
2. Contact your electric company.

TROUBLE! MACHINE VIBRATES EXCESSIVELY

WHAT'S WRONG?

1. Saw not mounted securely to stand or work bench
2. Stand or bench on uneven floor
3. Damaged saw blade

WHAT TO DO...

1. Tighten all mounting hardware. See page 5.
2. Reposition on flat level surface. See page 5.
3. Replace blade. See page 5.

TROUBLE! DOES NOT MAKE ACCURATE MITER CUTS

WHAT'S WRONG?

1. Miter scale not adjusted correctly
2. Blade is not square to fence
3. Blade is not perpendicular to table
4. Workpiece moving

WHAT TO DO...

1. Check and adjust. See page 7.
2. Check and adjust. See page 7.
3. Check and adjust fence. See page 7.
4. Clamp workpiece to fence or glue 120 grit sandpaper to fence with rubber cement.

TROUBLE! MATERIAL PINCHES BLADE

WHAT'S WRONG?

1. Cutting bowed material

WHAT TO DO...

1. Position bowed material as shown on page 12.

TABLE DES MATIÈRES

INSTRUCTIONS RELATIVES À LA DOUBLE ISOLATION ET À LA FICHE POLARISÉE	17	COMMANDES	23
RÈGLES DE SÉCURITÉ POUR TOUS LES OUTILS	17	FONCTIONNEMENT	24
RÈGLES DE SÉCURITÉ SUPPLÉMENTAIRES.....	17	INTERRUPTEUR	24
CONNEXION ÉLECTRIQUE	19	DÉCOUPE À L'AIDE DE VOTRE SCIE	24
ACCESSOIRES	19	COUPES TRANSVERSALES.....	24
DESCRIPTIONS DE LA LAME	20	COUPES EN BISEAU	25
DÉSEMBALLAGE DE VOTRE SCIE.....	20	QUALITÉ DE COUPE	25
SPÉCIFICATIONS	20	POSITION DU CORPS ET DES MAINS	25
FAMILIARISATION	20	FIXATION DE LA PIÈCE.....	26
MONTAGE SUR ÉTABLI	20	SOUTIEN DES PIÈCES LONGUES	26
DÉPOSE DE LA LAME	21	DÉCOUPE DE CADRES, DE COFFRAGES ET D'AUTRES OBJETS À QUATRE FACES	26
INSTALLATION DE LA LAME	21	DÉCOUPE DE MOULURES DE GARNISSAGE ET D'AUTRES CADRES	26
TRANSPORT DE LA SCIE	21	DÉCOUPE À ONGLET MIXTE.....	26
RÉGLAGES	21	DÉCOUPE DE MOULURES D'EMBASE.....	27
RÉGLAGE DE L'ÉCHELLE D'ONGLET	21	DÉCOUPE DE MOULURES COURONNÉES.....	27
RÉGLAGE DU POINTEUR D'ONGLET	21	DÉCOUPES SPÉCIALES	28
BISEAU D'ÉQUERRE AVEC LA TABLE	22	DÉPOSE ET REMPLACEMENT DE LA COURROIE.....	29
POINTEUR DE BISEAU.....	22	ENTRETIEN	29
BUTÉE DE BISEAU	22	GARANTIE	30
RÉGLAGE DU GUIDE.....	22	TABLEAU 1 : DÉCOUPE À ONGLET MIXTE.....	31
FREIN ÉLECTRIQUE AUTOMATIQUE	23	GUIDE DE DÉPANNAGE	32
ACTIVATION ET VISIBILITÉ DU PARE-MAIN	23		
RÉGLAGE DE LA PLAQUE DE TRAIT DE SCIE	23		
RÉGLAGE DE LA GLISSIÈRE DE SÉCURITÉ.....	23		
RÉGLAGE DU BLOCAGE D'ONGLET	23		
BROSSES.....	23		

Directives de sécurité importantes

⚠ AVERTISSEMENT : Lorsque vous utilisez des outils électriques, des précautions de base en matière de sécurité doivent être suivies afin de réduire le risque d'incendie, d'électrocution et de blessure corporelle, notamment les suivantes :

LISEZ TOUTES CES DIRECTIVES

Double isolation

Les outils à double isolation comportent partout deux couches d'isolation électrique séparées ou une double épaisseur de matériau isolant entre l'opérateur et le système électrique de l'outil. Les outils comportant ce système d'isolation ne sont pas conçus pour être mis à la terre. Votre outil est donc équipé d'une prise à deux broches qui vous permet d'utiliser des cordons d'alimentation sans vous soucier de maintenir une connexion à la terre.

REMARQUE : La double isolation ne remplace pas les précautions normales de sécurité lors de l'utilisation de cet outil. Le système d'isolation sert à apporter une protection accrue contre toute blessure résultant d'une défaillance d'isolation électrique au sein de l'outil.

⚠ MISE EN GARDE : EN CAS DE RÉPARATION, UTILISEZ UNIQUEMENT DES PIÈCES DE RECHANGE IDENTIQUES. Réparez ou remplacez les cordons endommagés.

Fiches polarisées

Certains appareils comportent des fiches polarisées (c'est-à-dire comportant une lame plus large que l'autre) afin de réduire le risque d'électrocution. Lorsqu'elle est présente, cette fiche ne se branche que d'une seule façon dans une prise de courant polarisée. Si la fiche ne s'insère pas totalement dans la prise de courant, renversez-la. Si elle ne s'insère toujours pas dans la prise, demandez à un électricien compétent d'installer une fiche polarisée. Ne tentez pas de remplacer la fiche.

Règles de sécurité pour tous les outils

- **MAINTENEZ LE PARE-MAIN EN PLACE** et en état de fonctionnement.
- **RETIREZ LES CLÉS À MOLETTE ET LES CLÉS DE RÉGLAGE.** Habituez-vous à vérifier si les clés à molette et les clés de réglage sont retirées de la broche avant de mettre l'outil sous tension.
- **GARDEZ PROPRE LA ZONE DE TRAVAIL.** Les zones et établis encombrés sont souvent des causes d'accidents.
- **N'UTILISEZ PAS CET OUTIL DANS UN ENVIRONNEMENT DANGEREUX.** N'utilisez pas d'outils électriques dans des endroits humides ou mouillés et ne les exposez pas à la pluie ou à la neige. Gardez la zone de travail bien éclairée.
- **ÉLOIGNEZ LES ENFANTS.** Tous les visiteurs doivent se trouver à une distance sûre de la zone de travail.
- **ASSUREZ-VOUS QUE L'ATELIER NE PRÉSENTE PAS DE DANGER POUR LES ENFANTS** en utilisant des cadenas, des interrupteurs principaux ou en retirant les clés de démarrage.
- **NE FORCEZ PAS L'OUTIL.** Il remplira sa mission mieux et de manière plus sûre à la vitesse pour laquelle il a été conçu.
- **UTILISEZ L'OUTIL APPROPRIÉ.** Ne forcez pas un outil ou un accessoire à effectuer un travail pour lequel il n'a pas été conçu.
- **HABILLEZ-VOUS EN CONSÉQUENCE.** Ne portez ni vêtement ample, ni gant, ni cravates, ni bague, ni bracelet, ni autre bijou car ces derniers pourraient s'enchevêtrer dans des pièces mobiles. Des souliers antidérapants sont recommandés. Couvrez-vous les cheveux s'ils sont longs. Tenez-vous éloigné des événements car ces derniers pourraient camoufler des pièces mobiles.
- **PORTEZ TOUJOURS DES LUNETTES DE SÉCURITÉ.** Utilisez également un masque facial ou anti-poussière si l'opération de découpe génère de la poussière. Les lunettes ordinaires ne comportent que des lentilles résistant aux chocs, ce ne sont PAS des lunettes de sécurité.

- **FIXEZ VOTRE OUVRAGE.** Utilisez des fixations ou un étau lorsque vous ne pouvez pas fixer manuellement la pièce sur la table et contre le guide, ou lorsque votre main serait dangereusement proche de la lame (à moins de 15 cm (6 po)).
- **NE TENDEZ PAS TROP LES BRAS.** Conservez votre équilibre en tout temps.
- **PRENEZ SOIN DE VOS OUTILS.** Assurez-vous que vos outils sont aiguisés et propres afin d'optimiser sécurité et performance. Suivez les consignes de graissage et de changement d'accessoires.
- **DÉCONNECTEZ LES OUTILS** avant de les réparer et de changer des accessoires tels que lames, mèches, couteaux, etc.
- **RÉDUISEZ LE RISQUE DE DÉMARRAGE ACCIDENTEL.** Assurez-vous que l'interrupteur est en position ARRÊT avant de brancher l'outil.
- **N'UTILISEZ QUE LES ACCESSOIRES RECOMMANDÉS.** Une liste des accessoires recommandés se trouve dans le mode d'emploi. L'utilisation d'accessoires incorrects peut entraîner un risque de blessure corporelle.
- **NE VOUS TENEZ JAMAIS SUR L'OUTIL.** Une blessure grave pourrait se produire en cas de basculement de l'outil ou de démarrage accidentel de l'outil de découpe.
- **VÉRIFIEZ LES PIÈCES ENDOMMAGÉES.** Avant toute utilisation ultérieure de l'outil, un pare-main (ou une autre pièce) endommagé doit être soigneusement examiné afin de déterminer s'il fonctionnera correctement et remplira sa fonction prévue – vérifiez l'alignement des pièces mobiles, la présence de grippage des pièces mobiles, de rupture de pièce, la fixation et tout problème pouvant nuire au fonctionnement de l'outil. Un pare-main (ou tout autre pièce) endommagé doit être réparé et remplacé adéquatement. N'utilisez pas l'outil si l'interrupteur ne fonctionne pas.
- **NE LAISSEZ JAMAIS L'OUTIL SANS SURVEILLANCE LORSQU'IL EST EN MARCHÉ. METTEZ-LE HORS TENSION.** Ne laissez pas l'outil tant qu'il n'est pas complètement arrêté.
- **N'UTILISEZ PAS D'OUTIL ÉLECTRIQUE À PROXIMITÉ DE LIQUIDES INFLAMMABLES OU DANS UNE ATMOSPHÈRE GAZEUSE OU EXPLOSIVE.** Les moteurs de ces outils peuvent provoquer des étincelles et enflammer des vapeurs.
- **RALLONGES ÉLECTRIQUES.** Assurez-vous que votre rallonge électrique est en bon état. Lorsque vous utilisez une rallonge électrique, assurez-vous d'en utiliser une assez solide pour assurer le transport du courant nécessaire au fonctionnement de votre appareil. Un cordon de calibre inférieur causera une chute de tension de ligne et donc une perte de puissance et une surchauffe. Le tableau suivant indique le calibre approprié à utiliser selon la longueur du cordon et l'intensité nominale de la plaque signalétique. En cas de doute, utilisez le calibre suivant le plus gros. Plus le numéro de calibre est petit, plus le cordon est lourd.

Calibre minimal des cordons de rallonge

Tension	Longueur totale du cordon en mètres			
120 V	De 0 à 7	De 7 à 15	De 15 à 30	De 30 à 45
240 V	De 0 à 7	De 7 à 15	De 15 à 39	De 30 à 45

Intensité (A)

Au moins		Au plus		Calibre moyen de fil	
0	-	6	18	16	14
6	-	10	18	16	12
10	-	12	16	16	12
12	-	16	14	12	Non recommandé

Règles de sécurité supplémentaires pour les scies à onglet

⚠ MISE EN GARDE : NÉGLIGER DE SE CONFORMER À CES AVERTISSEMENTS POURRAIT ÊTRE LA CAUSE DE BLESSURES CORPORELLES ET DE DOMMAGES IMPORTANTS À LA SCIE.

- **IL FAUT** – protéger la ligne d'alimentation électrique avec un fusible à temporisation ou un disjoncteur, de 15 ampères.
- **IF FAUT** – vous assurer que la lame tourne dans le sens adéquat et que les dents situées au bas de la lame pointent vers l'arrière de la scie à onglet.
- **IL FAUT**- vous assurer que toutes les poignées de fixation sont bien serrées avant de commencer toute utilisation.
- **IL FAUT** – vous assurer que la lame et toutes les rondelles de fixation sont propres et que les faces en retrait des collets sont situées contre la lame. Serrez bien les vis de l'axe.
- **IL FAUT** – maintenir aiguisée la lame de la scie.
- **IL FAUT** – dégager les événements de toute poussière ou copeau.
- **IL FAUT** – toujours utiliser le pare-main.
- **IL FAUT** – garder les mains hors de la trajectoire de la lame de la scie.
- **IL FAUT** – mettre l'appareil sous tension, déconnecter le cordon de la source d'alimentation et attendre que la lame de la scie s'arrête avant de réparer ou de régler l'outil.
- **IL FAUT** – soutenir les ouvrages longs avec un support d'outil extérieur.
- **IL NE FAUT PAS** – essayer d'utiliser l'appareil avec une tension autre que celle indiquée.
- **IL NE FAUT PAS** – utiliser l'appareil si toutes les poignées de fixation ne sont pas serrées.
- **IL NE FAUT PAS** – utiliser des lames plus grandes ou plus petites que celles recommandées.
- **IL NE FAUT PAS** – adosser quoi que ce soit au ventilateur pour soutenir l'arbre moteur.
- **IL NE FAUT PAS** – forcer la découpe. (Un blocage partiel ou complet du moteur peut causer des dégâts majeurs. Laissez le moteur atteindre son plein régime avant de commencer la découpe).
- **IL NE FAUT PAS** – couper de métaux ferreux (c'est-à-dire comportant du fer ou de l'acier) ou tout élément de maçonnerie.
- **IL NE FAUT PAS** – utiliser de meule abrasive. La chaleur excessive et les particules abrasives qu'elles génèrent endommageraient la scie.
- **IL NE FAUT PAS** – laisser qui que ce soit se tenir derrière la scie.
- **IL NE FAUT PAS** – appliquer de lubrifiant sur la lame lorsqu'elle est en fonctionnement.
- **IL NE FAUT PAS** – placer une main à proximité de la lame lorsque la scie est connectée à l'alimentation.
- **IL NE FAUT PAS** – utiliser de lames calibrées à moins de 4 800 tr/min.
- **IL NE FAUT PAS** – couper de petites pièces sans fixation. Gardez les mains à au moins 15 cm (6 po) de la lame.
- **IL NE FAUT PAS** – faire fonctionner la scie sans que le pare-main soit en place.
- **IL NE FAUT PAS** – utiliser l'outil en aucune manière à main levée.
- **IL NE FAUT PAS** – passer les mains autour de ou derrière la lame.
- **IL NE FAUT PAS** – placer les mains à moins de 15 cm (6 po) de la lame de la scie.
- **IL NE FAUT PAS** – passer les mains sous la scie sauf si elle est hors tension et débranchée. La lame est exposée dans la partie inférieure de la scie.
- **IL NE FAUT PAS** – déplacer une main de la scie à la pièce ou lever le bras jusqu'à ce que la lame se soit arrêtée.
- **IL NE FAUT PAS** – utiliser de graisse ou de produit nettoyant (en particulier pulvérisateur ou aérosol) à proximité du pare-main en plastique. Certains produits chimiques peuvent attaquer le matériau polycarbonate dont il est constitué.
- N'utilisez jamais l'outil sans la plaque du trait de scie et remplacez cette dernière lorsqu'elle est endommagée car une accumulation de petits copeaux sous la scie pourrait interférer avec la lame ou rendre la pièce instable lors de la découpe.

▲ MISE EN GARDE : Ne connectez pas l'appareil à une source d'alimentation électrique tant que vous n'avez pas complètement lu et compris les instructions.

▲ MISE EN GARDE : Portez un pare-main anti-bruit pendant l'utilisation. Dans certaines conditions et selon la durée d'utilisation, le bruit causé par ce produit peut contribuer à une perte auditive.

▲ AVERTISSEMENT : Certaines poussières produites par les activités de ponçage, de sciage, de meulage, de perçage et autres activités de construction peuvent contenir des produits chimiques pouvant causer le cancer, des anomalies congénitales ou d'autres problèmes liés aux fonctions reproductrices. Voici quelques exemples de ces produits chimiques :

- le plomb contenu dans les peintures à base de plomb;
- la silice cristalline de la brique, du ciment et d'autres produits de maçonnerie; et
- l'arséniat de cuivre et de chrome provenant du bois traité chimiquement.

Les risques reliés à l'exposition à ces poussières varient selon la fréquence à laquelle vous travaillez avec ce type de matériaux. Afin de réduire votre exposition à ces produits chimiques : travaillez dans un endroit bien ventilé et portez un équipement de sécurité approuvé comme un masque anti-poussières conçu spécialement pour filtrer les particules microscopiques.

- Évitez le contact prolongé avec les poussières produites par les activités de ponçage, sciage, meulage, perçage et autres activités de construction. Portez des vêtements de protection et lavez les parties du corps exposées avec une solution d'eau et de savon. Le fait de laisser la poussière pénétrer par la bouche et les yeux ou de la laisser reposer sur la peau, peut promouvoir l'absorption de produits chimiques nocifs.

▲ AVERTISSEMENT : L'utilisation de cet outil peut produire ou propulser des poussières qui pourraient causer des problèmes respiratoires graves et permanents ou d'autres problèmes médicaux. Portez toujours un appareil respiratoire approuvé par la NIOSH/OSHA pour vous protéger de la poussière. Dirigez les particules à l'écart de votre visage et de votre corps.

Pour plus de commodité et de sécurité, les étiquettes de sécurité suivantes sont apposées sur votre scie à onglet.

SUR LE BOÎTIER DU MOTEUR :

AVERTISSEMENT : POUR VOTRE PROPRE SÉCURITÉ, LISEZ LE MODE D'EMPLOI AVANT D'UTILISER LA SCIE.

EN CAS DE RÉPARATION, UTILISEZ UNIQUEMENT DES PIÈCES DE RECHANGE IDENTIQUES.

N'EXPOSEZ PAS LA SCIE À LA PLUIE ET NE L'UTILISEZ PAS DANS UN ENDROIT HUMIDE.

PORTEZ TOUJOURS UNE PROTECTION OCULAIRE.

SUR LES GUIDES MOBILES :

AJUSTEZ TOUJOURS CORRECTEMENT LE GUIDE AVANT UTILISATION.

Fixez les petites pièces avant de les découper. Voir le manuel.

SUR LE PARE-MAIN : DANGER – RESTEZ À L'ÉCART DE LA LAME.

SUR LE PARE-MAIN SUPÉRIEUR : FIXEZ BIEN LE SUPPORT DE FIXATION AVEC LES DEUX VIS AVANT D'UTILISER LE PRODUIT.

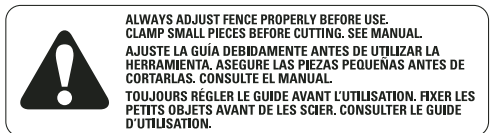
SUR LA TABLE : (À 2 ENDROITS)

SERREZ TOUJOURS BIEN LES POIGNÉES DE RÉGLAGE AVANT UTILISATION.

GARDEZ LES MAINS À 15 CM (6 PO) DE LA TRAJECTOIRE DE LA LAME DE LA SCIE.

N'EFFECTUEZ JAMAIS AUCUNE OPÉRATION À MAIN LEVÉE. NE PASSEZ JAMAIS LES BRAS DEVANT LA LAME.

RÉFLÉCHISSEZ! VOUS POUVEZ ÉVITER LES ACCIDENTS



DANGER PELIGRO

KEEP AWAY FROM BLADE
MANTENERS ALEJADO DE LA HOJA
S'ÉLOIGNER DE LA LAME



N'UTILISEZ PAS LA SCIE SANS QUE LES PARE-MAINS NE SOIT EN PLACE.

ÉTEIGNEZ L'OUTIL, GARDEZ LA SCIE TÊTE EN BAS ET ATTENDEZ QUE LA SCIE S'ARRÊTE AVANT DE DÉPLACER VOS MAINS OU LA PIÈCE OU DE MODIFIER LES RÉGLAGES. DÉBRANCHEZ L'OUTIL AVANT DE CHANGER DE LAME, DE DÉPLACER OU DE RÉPARER L'APPAREIL.



Connexion électrique

Assurez-vous que votre alimentation est compatible avec l'inscription de la plaque signalétique. 120 volts, C.A. signifie que votre scie fonctionne en courant alternatif. L'interrupteur est susceptible de panne en cas d'utilisation de courant continu. Une diminution de tension de 10 pour cent ou plus cause une perte de puissance et une surchauffe. Tous les outils DEWALT sont testés en usine. Si cet outil ne fonctionne pas, vérifiez l'alimentation.

Accessoires

Les accessoires recommandés pour être utilisés avec votre outil sont disponibles chez votre concessionnaire local.

▲ MISE EN GARDE : L'utilisation de tout accessoire non recommandé peut présenter un danger. N'utilisez pas de lame double, de couteau de modelage ou de meule abrasive avec votre scie à onglet.

Si vous avez besoin d'assistance pour trouver tout accessoire, veuillez contacter DEWALT Industrial Tool Co., 701 East Joppa Road, Baltimore, MD 21286, États-Unis, composer le 1 (800) 4-DEWALT (1-800-433-9258) ou visiter notre site Web à www.dewalt.com.

Accessoires facultatifs

Les accessoires suivants, conçus pour votre scie, peuvent vous être utiles. Dans certains cas, d'autres supports d'ouvrage, butées réglables, fixations, etc. peuvent être plus appropriés. Faites attention lors du choix et de l'utilisation d'accessoires.

Systèmes de guidée par laser : DW7187

Un laser est vendu séparément par les Centres de service DEWALT et votre magasin de bricolage local. Les instructions d'installation sont fournies avec l'accessoire. Lisez et respectez toutes les consignes pour installer et utiliser l'accessoire en toute sécurité.

Extension, support d'ouvrage : DW7080

Le support d'ouvrage est utilisé pour soutenir de longues pièces qui dépassent. Il est assemblé par l'utilisateur. Votre table à scier est conçue pour accepter deux supports d'ouvrage, un de chaque côté.

Butée réglable : DW7051

Nécessite l'utilisation d'un support d'ouvrage (voir schéma). Elle sert à effectuer des découpes répétitives de même longueur [comprise entre 0 et 106 cm (42 po)].

Bride de fixation : DW7082 (modèle semblable inclus)

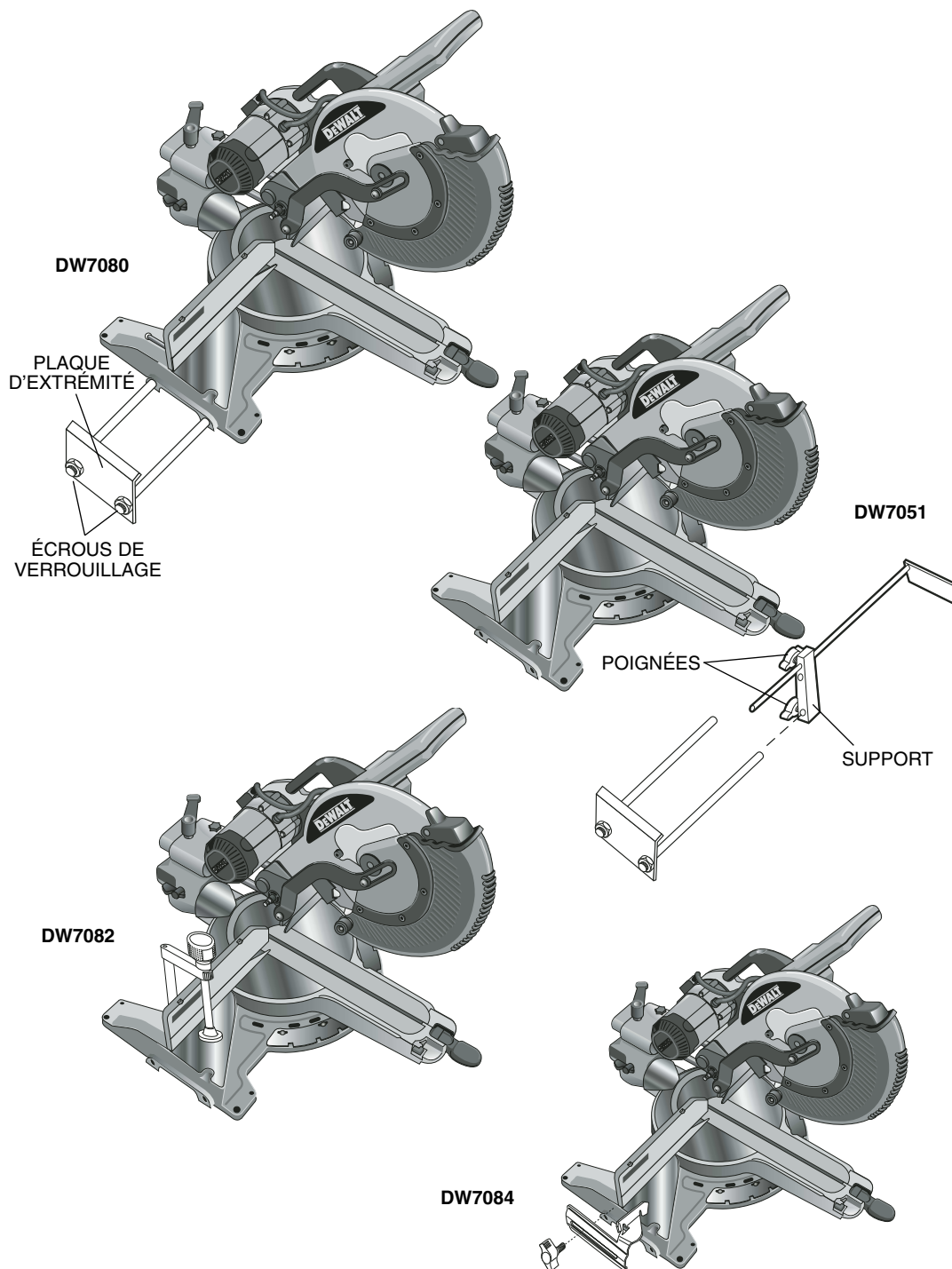
Sert à fixer fermement la pièce sur la table à scier pour une découpe de précision.

Sac à poussière : DW7053 (livré avec certains modèles)

Équipé d'une fermeture à glissière pour un vidage facile, le sac à poussière capture la plus grande partie de la sciure produite (non illustré).

Guide de moulures couronnées : DW7084

Sert pour la découpe de précision de moulures couronnées.



LAMES DE SCIE : UTILISEZ TOUJOURS DES LAMES DE SCIE DE 30 CM (12 PO) AVEC DES TROUS D'AXE DE 2,5 CM (1 PO). L'INDICE DE VITESSE DOIT ÊTRE AU MOINS 4 800 TR/MIN. N'utilisez jamais de lame de diamètre inférieur. Le pare-main ne serait pas adéquat.

DESCRIPTION DES LAMES				
APPLICATION	N° DE MODÈLE	DIAMÈTRE	DENTS	DENT AFFÛTAGE
Lames de scie de construction (fin trait de scie avec côté anticollant)				
Polyvalente	DW3123	12 po	32	ATB (pointe biseautée en alternance)
Tronçonnage fin	DW3126	12 po	60	ATB
Tronçonnage fin	DW3128	12 po	80	ATB
Lames de scie pour travail du bois (fournissent des coupes propres et régulières)				
Tronçonnage fin	DW7648	12 po	60	ATB
Tronçonnage fin	DW7649	12 po	80	ATB
Tronçonnage ultra-fin	DW7650	12 po	96	ATB
Bois lamellé	DW7661	12 po	80	TCG (pointes à double biseau)
Surface solide et plastiques	DW7668	12 po	80	Mod TCG (pointes à double biseau modifié)
Métaux non ferreux	DW7666	12 po	80	TCG

Désemballage de votre scie

Vérifiez le contenu du carton de votre scie à onglet pour vérifier que toutes les pièces vous ont été livrées. En plus de ce mode d'emploi, le carton devrait contenir :

1. Une scie à onglet DW718.
2. Une lame de scie DEWALT de 30 cm (12 po) de diamètre.
3. Une clé de lame située dans la poche de clé illustrée à la figure 4.
4. Un sac à poussière DW7053 (certains modèles).
5. Une bride de fixation de matériel.

Fiche technique

CAPACITÉ DE DÉCOUPE

Onglet droit à 50°, onglet gauche à 60°

Biseau droit et gauche à 48°

Onglet à 0°

Hauteur maximale 94 mm (3,7 po)	Largeur résultante 328 mm (12,9 po)
Largeur maximale 345 mm (13,6 po)	Hauteur résultante 74 mm (2,9 po)

Onglet à 45°

Hauteur maximale 94 mm (3,7 po)	Largeur résultante 231 mm (9,1 po)
Largeur maximale 241 mm (9,5 po)	Hauteur résultante 74 mm (2,9 po)

Biseau à 45° - gauche

Hauteur maximale 61 mm (2,4 po)	Largeur résultante 328 mm (12,9 po)
Largeur maximale 345 mm (13,6 po)	Hauteur résultante 48 mm (1,9 po)

Biseau à 45° - droite

Hauteur maximale 43 mm (1,7 po)	Largeur résultante 328 mm (12,9 po)
Largeur maximale 345 mm (13,6 po)	Hauteur résultante 28 mm (1,1 po)

Votre scie est capable de découper des moulures de plinthes de 20 mm (0,8 po) de largeur par 165 mm (6,5 po) de hauteur sur un onglet droit ou gauche à 45°.

NOTE: Your saw is capable of cutting the following once a special setup procedure is followed (see Special Cuts).

onglet à 0°	hauteur 38 mm (1,5 po)	largeur 40,9 mm (16,1 po)
onglet à 45°	hauteur 38 mm (1,5 po)	largeur 40,9 mm (11,7 po)

ENTRAÎNEMENT

Moteur 120 Volt

Puissance d'entrée : 1 600	Moteur 15 ampères
3 600 tr/min	Engrenages hélicoïdaux taillés
Courroie trapézoïdale multiple	Roulements à rouleau
Frein électrique automatique	Lame en carbure

Familiarisation

Votre scie à onglet est livrée entièrement assemblée dans le carton. Ouvrez la boîte et sortez la scie en la prenant par la poignée de transport commode, tel qu'illustré à la figure 1.

Placez la scie sur une surface lisse et plane telle qu'un établi ou une table solide.

Examinez les deux figures situées à la page 22 pour vous familiariser avec la scie et ses différentes pièces. La section concernant les réglages se référera à ces termes et vous devez savoir quelles sont les différentes pièces et où elles se trouvent.

Appuyez légèrement sur la poignée de fonctionnement et retirez l'épingle de verrouillage. Relâchez doucement la pression vers le bas et tenez le bras en lui permettant de se relever complètement. Utilisez l'épingle de verrouillage lorsque vous transportez la scie d'un endroit à l'autre.

Pour déplacer la scie, utilisez toujours la poignée de transport ou les indentations manuelles illustrées à la figure 2.

Montage sur établi

Les 4 pieds sont munis de trous pour faciliter le montage sur établi, tel qu'illustré à la figure 4 (deux trous de taille différente sont prévus afin d'accueillir des vis de différentes tailles. Utilisez l'un des trous, il n'est pas nécessaire d'utiliser les deux.) Assemblez toujours fermement votre scie sur une surface stable pour éviter tout mouvement. Pour améliorer la portabilité de l'outil, il peut être monté sur une pièce de contreplaqué de 1,2 cm (1/2 po) ou plus d'épaisseur, qui peut à son tour être fixée à votre support d'ouvrage ou déplacée vers un autre site de travail et fixée à nouveau.

REMARQUE : Si vous avez décidé de monter votre scie sur une pièce de contreplaqué, assurez-vous que les vis de montage ne dépassent pas de la partie inférieure du bois. Le contreplaqué doit reposer à plat sur le support d'ouvrage. Lors de la fixation de la scie à toute surface de travail, ne la fixez que sur les brides de fixation où se situent les trous des vis de montage. L'utilisation des brides de fixation à tout autre endroit interférerait à coup sûr avec le fonctionnement adéquat de la scie.

▲ MISE EN GARDE : Pour éviter tout grippage et manque de précision, assurez-vous que la surface de montage n'est pas tordue et ne présente pas d'autre défaut. Si la scie bascule sur la surface, placez une pièce de matériau de faible épaisseur sous l'un des pieds de la scie, jusqu'à ce que cette dernière soit fermement assise sur la surface de montage.

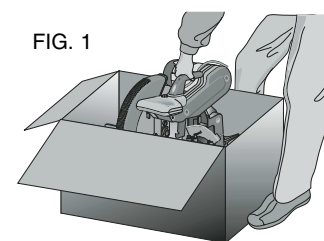


FIG. 1

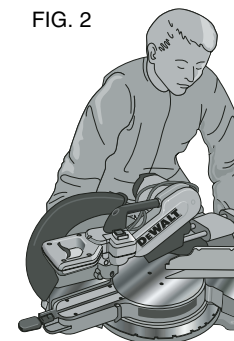


FIG. 2

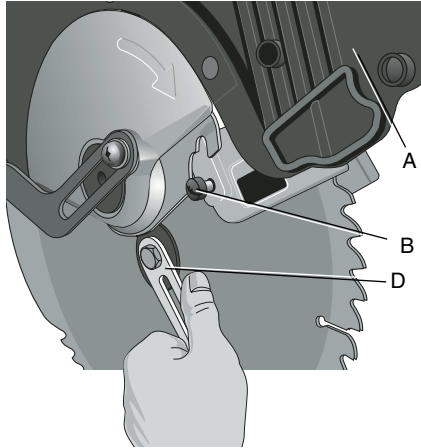
DIRECTIVES DE SÉCURITÉ **IMPORTANTES**

Changement ou pose d'une nouvelle lame de scie (fig. 3)

▲ MISE EN GARDE :

- N'enfoncez jamais le bouton de verrouillage de la broche lorsque la lame est sous tension ou qu'elle continue de tourner après l'arrêt de la scie.
- Ne coupez pas de métal ferreux (contenant du fer ou de l'acier), un élément de maçonnerie ou du fibrociment avec cette scie à onglet.

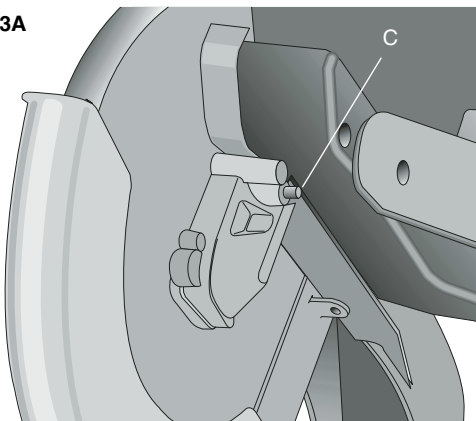
FIG. 3



Dépose de la lame

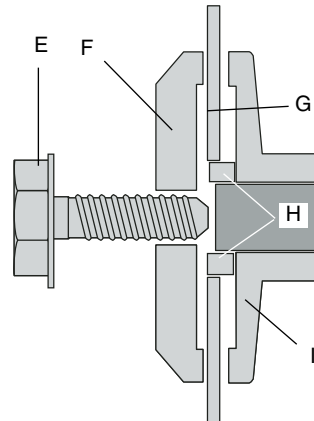
1. Débranchez la scie.
2. Soulevez le bras jusqu'à la position supérieure, puis levez le pare-main (A) aussi haut que possible.
3. Desserrez la vis du support du pare-main (B) sans l'enlever de manière à ce que le support puisse être levé suffisamment haut pour accéder à la vis de la lame. Le pare-main inférieur demeurera levé en raison de la position de la vis du support de pare-main.

FIG. 3A



4. Enfoncez le bouton de verrouillage de la broche (C) tout en tournant la lame de scie manuellement de manière à engager le dispositif de verrouillage.
5. Maintenez le bouton enfoncé et utilisez l'autre main et la clé fournie (D) pour desserrer la vis de la lame. (Tournez dans le sens horaire, filets inversés).
6. Enlevez la vis (E) de la lame, la rondelle de bride de fixation extérieure (F), la lame (G) et l'adaptateur de lame (H), le cas échéant. Il est possible de laisser la rondelle de bride de fixation intérieure (I) sur la broche.

FIG. 3B



REMARQUE : L'adaptateur de lame de 25,4 mm (1 po) (H) n'est pas utilisé pour les lames dotées d'un trou de lame de 15,88 mm (5/8 po).

Pose d'une lame

1. Débranchez la scie.
2. Le bras étant levé, le pare-main inférieur ouvert et le porte-pivot levé, posez la lame sur la broche, sur l'adaptateur de lame (si une lame à trou de 25,4 mm (1 po) est utilisée) et contre la rondelle de bride de fixation intérieure, les dents se trouvant au bas de la lame et pointant vers l'arrière de la scie.
3. Assemblez la rondelle de bride de fixation extérieure sur la broche.
4. Posez la vis de la lame et, tout en engageant le bouton de verrouillage de la broche, serrez fermement la vis avec la clé fournie. (Tournez dans le sens antihoraire, filets inversés)

REMARQUE : L'adaptateur de lame n'est pas utilisé pour les lames à trou de 15,88 mm (5/8 po) et doit être rangé dans un endroit sûr pour un usage ultérieur.

5. Remettez le support de pare-main à sa position d'origine, puis serrez fermement la vis du support de pare-main afin de maintenir en place le support.

▲ AVERTISSEMENT :

- **Le support du pare-main doit être remis à sa position d'origine et la vis doit être serrée avant d'activer la scie.**

- **Si vous négligez de faire, le pare-main risque d'entrer en contact avec la lame de scie tournante et ainsi causer des dommages à la scie et des blessures corporelles sérieuses**

Transport de la scie

METTEZ LA SCIE À ONGLET HORS TENSION ET DÉBRANCHEZ-LA AVANT DE LA DÉPLACER OU D'EFFECTUER QUELQUE RÉGLAGE QUE CE SOIT !

Afin de transporter aisément la scie à onglet d'un endroit à l'autre, l'outil est doté d'une poignée de transport sur la partie supérieure du bras de la scie et d'indentations manuelles sur sa base, tel qu'illustré à la figure 4.

Réglages

AVANT D'EFFECTUER TOUT RÉGLAGE, DÉBRANCHEZ LA SCIE À ONGLET

REMARQUE : Votre scie à onglet est réglée en usine de manière complète et précise au moment de sa fabrication. Si un nouveau réglage est requis à cause de l'expédition, du transport ou d'une autre raison, suivez la procédure suivante pour régler votre scie.

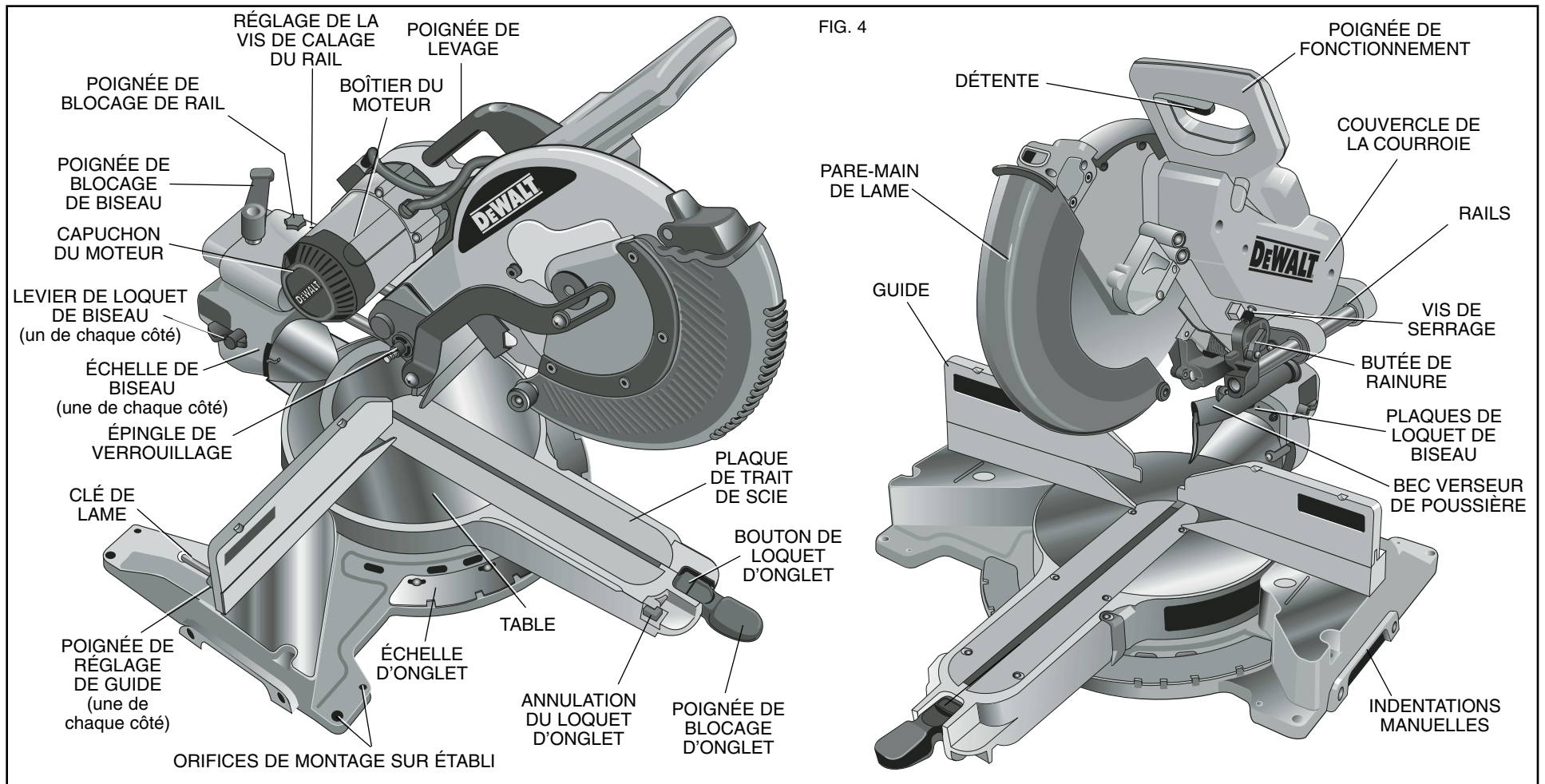
Lorsque ces réglages ont été effectués, ils devraient conserver leur précision. Passez maintenant quelques instants à suivre ces directives attentivement afin de profiter de l'intégralité de la précision dont votre scie est capable.

RÉGLAGE D'ÉCHELLE D'ONGLET (FIG. 5)

Placez une équerre contre le guide de la scie et contre la lame, comme illustré. (Ne touchez pas aux extrémités des dents de scie avec l'équerre. Cela nuirait à la précision des mesures.) Desserrez la poignée de blocage d'onglet et faites basculer le bras d'onglet jusqu'à ce que le loquet d'onglet le verrouille sur la position d'onglet 0. Ne serrez pas la poignée de blocage. Si la lame de la scie n'est pas exactement perpendiculaire au guide, desserrez les quatre vis qui maintiennent l'échelle d'onglet sur la base et déplacez l'échelle vers la gauche ou la droite jusqu'à ce que la lame soit perpendiculaire au guide, en vous servant de l'équerre. Resserrez les quatre vis. Ne prêtez pas encore attention à la valeur lue sur le pointeur de l'onglet.

RÉGLAGE DU POINTEUR D'ONGLET (FIG. 6, 7)

Desserrez la poignée de blocage d'onglet pour déplacer le bras d'onglet vers la position zéro. Après avoir desserré la poignée de blocage de l'onglet, laissez le loquet de l'onglet s'enclencher en faisant pivoter le bras d'onglet vers la position zéro. Observez le pointeur et l'échelle d'onglet illustrés à la figure 6. Si le pointeur n'indique pas exactement zéro, desserrez la vis le maintenant en place, repositionnez-le et resserrez la vis.



RÉGLAGE DU BISEAU D'ÉQUERRE À LA TABLE (FIG. 8)

Pour aligner la lame d'équerre avec la table, verrouillez le bras en position basse. Placez une équerre contre la lame et la table en prenant soin que l'équerre ne touche pas une dent de scie. Desserrez la poignée de blocage de biseau et assurez-vous que le loquet de biseau est fermement enclenché à 0 degré. Si la lame de la scie n'est pas exactement perpendiculaire à la table, relâchez l'écrou maintenant la plaque du loquet de biseau à la table. Réglez l'écrou de sorte à permettre un peu de jeu entre les pièces. Faites pivoter doucement le moteur ou le couvercle de la courroie pour déplacer l'assemblage supérieur jusqu'à ce que la lame soit d'équerre avec la table. Resserrez l'écrou de verrouillage.

POINTEUR DE BISEAU (FIG. 8)

Si les pointeurs de biseau n'indiquent pas zéro, desserrez chaque vis maintenant chaque pointeur de biseau en place et déplacez-les comme nécessaire

AJUSTEMENT DROIT ET GAUCHE DE 45 ° DE LA BUTÉE DE BISEAU (FIG. 8)

Votre scie possède deux réglages de biseau à 45 degrés, un pour la droite et l'autre pour la gauche. La procédure est la même pour les deux.

Pour aligner les butées à 45 degrés, bloquez le bras en position basse. Placez une équerre usuelle contre la lame et la table en prenant soin que l'équerre ne touche pas une dent de scie. Desserrez la poignée de blocage de biseau et assurez-vous que le loquet de biseau est fermement enclenché à 45 degrés. Si la lame de la scie n'est pas

exactement à 45 degrés par rapport à la table, relâchez l'écrou maintenant la plaque du loquet de biseau à 45 degrés à la table. Tournez la vis de réglage d'un ou deux tours dans le sens antihoraire afin que l'angle entre la lame et la table soit inférieur à 45 degrés. Tournez ensuite la vis de réglage dans le sens horaire jusqu'à ce que la lame et la table forment un angle à 45 degrés. Resserrez l'écrou de verrouillage.

AJUSTEMENT DE GUIDE (FIG. 9)

Mettez la scie à onglet hors tension et débranchez-la. Afin que la scie puisse biseauter à 48 degrés vers la gauche ou la droite, l'un des guides doit être ajusté afin de fournir le dégagement suffisant. Pour ce faire, desserrez une poignée en plastique et faites glisser le guide vers l'extérieur. Effectuez un essai à blanc en laissant la scie hors

tension et en vérifiant le dégagement. Ajustez le guide de sorte à être aussi proche de la lame que possible afin de fournir un soutien maximal à la pièce sans interférer avec les mouvements du bras vers le haut et le bas. Serrez bien la poignée. Lorsque les opérations de biseautage sont terminées, n'oubliez pas de remettre le guide en place.

REMARQUE : La rainure des guides peut être obturée par de la sciure. Si vous remarquez que cela se produit, utilisez un bâton ou de l'air à basse pression pour déboucher la rainure du guide.

FREIN ÉLECTRIQUE AUTOMATIQUE

Votre scie est équipée d'un frein de lame électrique automatique qui arrête la lame de la scie dans les 5 secondes qui suivent le relâchement de la détente. Cela n'est pas réglable.

Un délai peut parfois se produire entre le relâchement de la détente et l'engagement du frein. En de rares occasions, le frein peut ne pas s'engager du tout et la lame ralentira jusqu'à s'arrêter complètement.

Si un délai ou un « saut » se produit, allumez et éteignez la scie 4 ou 5 fois. Si le problème persiste, faites réparer l'outil par un centre de service agréé DEWALT.

Assurez-vous toujours que la lame s'est arrêtée avant de la retirer du trait de scie. Le frein n'est pas un remplacement pour les pare-mains. Pour assurer votre sécurité, concentrez-vous entièrement sur la scie.

ACTIVATION ET VISIBILITÉ DU PARE-MAIN

Le pare-main de la lame de votre scie est conçu pour se soulever automatiquement lorsque le bras est descendu et pour s'abaisser par-dessus la lame lorsque le bras est levé.

Il est possible de soulever manuellement le pare-main lors de l'installation ou de la dépose de lames de scie ou pour inspecter la scie. **NE SOULEVEZ JAMAIS MANUELLEMENT LE PARE-MAIN DE LA LAME SI LA SCIE N'EST PAS HORS TENSION.**

REMARQUE : Certaines découpes spéciales de matériaux de grande taille requièrent de soulever manuellement le pare-main. Voir page 29.

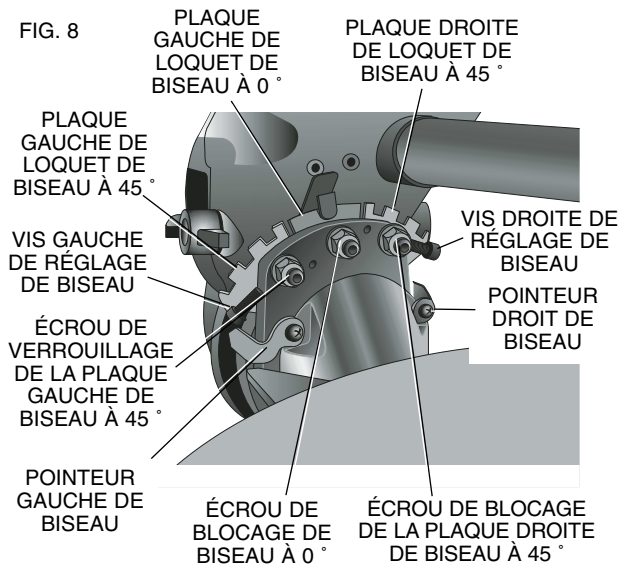
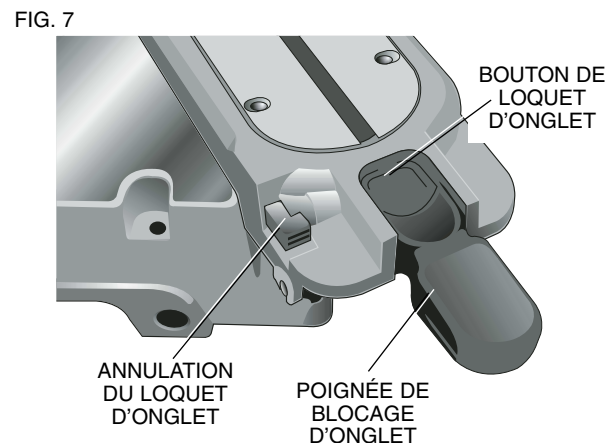
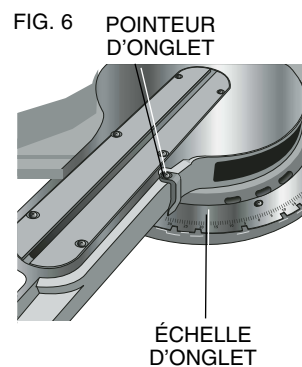
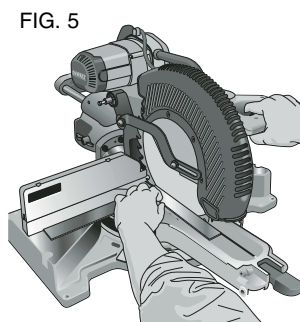
La partie frontale du pare-main est persiennée pour offrir de la visibilité pendant la découpe. Bien que les persiennes réduisent drastiquement les projections de débris, il s'agit d'ouvertures dans le pare-main; vous devez donc toujours porter des lunettes de sécurité lorsque vous regardez au travers des persiennes.

RÉGLAGE DE LA PLAQUE DE TRAIT DE SCIE

Pour ajuster les plaques de trait de scie, desserrez les vis maintenant les plaques en place. Réglez la position des plaques de telle sorte qu'elles soient aussi proches que possible sans interférer avec le mouvement de la lame.

RÉGLAGE DE LA GLISSIÈRE DE SÉCURITÉ

Vérifiez régulièrement les rails pour vous assurer de l'absence de jeu ou de dégagement. Il est possible de régler le rail de droite à l'aide de la vis de calage illustrée



à la figure 4. Pour réduire le dégagement, utilisez une clé hexagonale de 4 mm et faites graduellement pivoter la vis de calage dans le sens horaire tout en faisant glisser la tête de vis en va et vient. Réduisez le jeu tout en maintenant une force de glissement minimale.

RÉGLAGE DU VERROUILLAGE DE L'ONGLET

La barre de verrouillage de l'onglet doit être réglée s'il est possible de déplacer la table à scier lorsque le verrou d'onglet est verrouillé. Pour ajuster la poignée de blocage d'onglet, placez cette dernière en position haute et non verrouillée. À l'aide d'une clé à fourche, desserrez l'écrou de verrouillage de la barre de verrouillage d'onglet (figure 10). À l'aide d'un tournevis à fente, serrez la barre de verrouillage d'onglet en la faisant tourner dans le sens horaire comme illustré à la figure 10. Tournez la barre jusqu'à ce qu'elle soit bien serrée puis tournez d'un tour dans le sens antihoraire. Pour vous assurer que la poignée de blocage d'onglet fonctionne correctement, verrouillez-la à nouveau sur une mesure ne correspondant pas à une détente, par exemple 34 degrés, et vérifiez que la table ne pivote pas. Resserrez l'écrou de verrouillage

Brosses

DÉBRANCHEZ LA PRISE D'ALIMENTATION ÉLECTRIQUE.

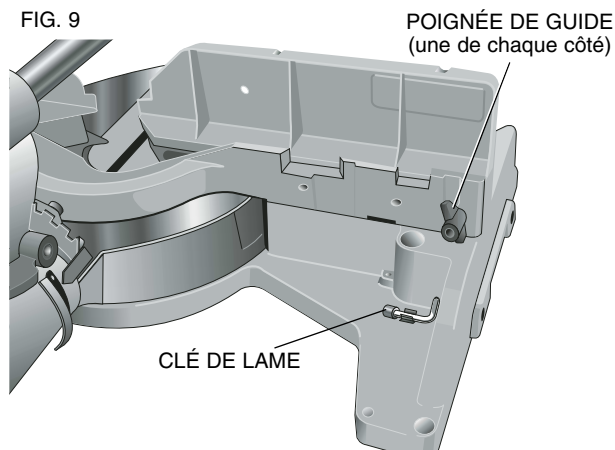
Inspectez régulièrement les brosses en carbone : débranchez l'outil, enlevez le capuchon du moteur (fig. 4) soulevez le ressort de la brosse et retirez l'assemblage de la brosse. Assurez-vous que les brosses sont propres et qu'elles glissent librement dans leurs guides. Remplacez toujours dans son support une brosse utilisée dans le sens où elle se trouvait avant d'être retirée. Plusieurs symboles sont estampillés sur les faces des brosses en carbone; une brosse doit être remplacée lorsqu'elle est usée d'environ 1,5 cm (1/2 po) car le ressort n'exerce plus de pression. N'utilisez que des brosses DEWALT identiques. Il est essentiel pour un fonctionnement correct du frein électrique d'utiliser le grade adéquat de brosse. De nouveaux assemblages de brosse sont disponibles auprès des centres de service DEWALT. Laissez l'outil « tourner à blanc » (tourner sans charge) pendant 10 minutes pour qu'une brosse neuve se positionne correctement. Le frein électrique peut ne pas fonctionner correctement tant que les brosses ne sont pas correctement positionnées (usées). Remplacez toujours le capuchon d'inspection de brosse après avoir inspecté ou réparé une brosse.

Lors d'un « fonctionnement à blanc », **N'ATTACHEZ PAS, NE FIXEZ PAS AU MOYEN DE RUBAN ADHÉSIF ET NE VERROUILLEZ PAS D'UNE AUTRE MANIÈRE LA DÉTENTE EN POSITION MARCHE. NE LA TENEZ QU'À LA MAIN.**

Commandes

Votre scie à onglet mixte est dotée de plusieurs commandes, qui sont brièvement évoquées ici. Pour plus de

FIG. 9



renseignements au sujet de ces commandes, consultez plus haut les rubriques respectives du manuel.

COMMANDE D'ONGLET (FIG. 7)

La poignée de réglage/verrouillage d'onglet et la détente vous permettent d'assembler votre scie en onglet à 60 degrés à gauche et à 50 degrés à droite. Pour assembler la scie en onglet, soulevez la poignée de réglage/verrouillage d'onglet, appuyez sur le bouton du loquet d'onglet et réglez l'angle d'onglet souhaité sur l'échelle d'onglet. Appuyez la poignée de blocage vers le bas pour verrouiller la table à scier.

DÉTENTE

La détente (fig. 4) vous permet d'allumer et d'éteindre votre scie. Elle est dotée d'un orifice afin de pouvoir y insérer un cadenas pour assurer la sécurité de la scie.

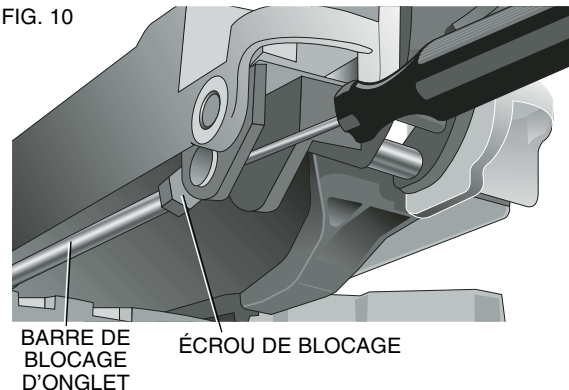
ANNULATION DE LOQUET D'ONGLET (FIG. 7)

L'annulation de loquet d'onglet permet à votre scie d'annuler les angles de butées habituels. Pour ce faire, appuyez sur le bouton du loquet d'onglet et basculez le levier d'annulation de loquet d'onglet en position verticale.

COMMANDE DE BISEAU (FIG. 8)

Les leviers de loquet de biseau et la poignée de blocage de biseau vous permettent d'assembler la scie en biseau jusqu'à 48 degrés vers la gauche et la droite. Votre scie est munie de deux leviers de loquet de biseau, un de chaque côté du boîtier de support arrière. Un seul levier doit être utilisé pour déplacer le biseau dans l'un des deux sens. La poignée de blocage de biseau est située sur le boîtier de support arrière. Pour assembler la scie en biseau, desserrez la poignée de blocage de biseau. Soulevez un des leviers jusqu'à environ 45 degrés et indiquez l'angle de biseautage souhaité sur l'échelle de biseau. Deux échelles de biseau sont fournies pour plus de commodité. Verrouillez la poignée de blocage de biseau pour maintenir le biseau en place. Il est possible de lever verticalement les leviers de loquet de biseau pour annuler les angles de butées habituels.

FIG. 10



La poignée de blocage de biseau est conçue de telle sorte à ne pouvoir pivoter que de manière limitée. Il est possible de réorienter la poignée pour compenser une usure normale. La poignée de blocage de biseau doit être réorientée si, lorsque cette dernière est serrée, il est possible de déplacer le biseau de la scie. Pour régler la poignée de blocage de biseau, retirez la vis située au centre de la poignée. Retirez soigneusement la poignée à l'aide d'un tournevis plat. Réorientez et installez la poignée de telle sorte qu'elle maintienne le biseau après avoir été resserrée. Installez et serrez la vis.

POIGNÉE DE BLOCAGE DE RAIL (FIG. 4)

La poignée de blocage de rail vous permet de verrouiller fermement la tête de scie pour l'empêcher de glisser sur les rails. Cela est nécessaire lors de certaines découpes et du transport de la scie.

BUTÉE DE RAINURE (FIG. 4)

La butée de rainure permet d'effectuer des découpes de rainure. Pour modifier la profondeur de la découpe de rainure, basculez le levier vers l'avant de la scie et réglez la vis de serrage. Pour passer outre les butées de rainure, basculez le levier vers l'arrière de la scie.

ÉPINGLE DE VERROUILLAGE DE LA TÊTE (FIG. 4)

Pour verrouiller la tête de scie en position basse, poussez la tête vers le bas, enfoncez l'épingle et relâchez la tête de scie. Cela maintiendra la tête de scie en bas en toute sécurité pendant le déplacement de la scie d'un endroit à un autre. Pour déverrouiller, poussez la tête de scie vers le bas et retirez l'épingle.

Fonctionnement

Branchez la scie sur une alimentation domestique standard en 60 Hz. Référez-vous à la plaque signalétique pour la tension. Assurez-vous que le cordon n'interférera pas avec votre travail.

INTERRUPTEUR

Pour mettre la scie sous tension, relâchez la détente. Pour mettre l'outil hors tension, relâchez la détente. Laissez la lame tourner à plein régime avant d'entamer la découpe.

Relâchez la détente et laissez le frein arrêter complètement la lame avant de soulever la tête de scie. Il n'y a pas de mécanisme de blocage de la détente, mais cette cadène est dotée d'un orifice permettant d'insérer un cadenas pour assurer la sécurité de la scie.

DÉCOUPE À L'AIDE DE VOTRE SCIE

Si la fonction de glissement n'est pas utilisée, s'assurer que la tête de la scie est reculée aussi loin que possible et que la poignée de blocage de rail est serrée. Cela permettra d'éviter que la scie glisse le long de ses rails quand la pièce de travail est engagée.

REMARQUE : Bien que cette scie puisse couper du bois et de nombreux matériaux non métalliques, cette discussion est limitée à la découpe de bois. Les mêmes directives s'appliquent aux autres matériaux. **NE COUPEZ PAS À L'AIDE DE CETTE SCIE DE MATÉRIAU FERREUX (FER ET ACIER) OU D'ÉLÉMENT DE MAÇONNERIE.** N'utilisez pas de lame abrasive.

COUPES TRANSVERSALES

La découpe de plusieurs pièces n'est pas recommandée mais elle peut être effectuée en toute sécurité en s'assurant que chaque pièce est maintenue fermement en place contre la table et le guide. Lorsque la scie atteint son plein régime (en environ 1 seconde), baissez doucement et lentement le bras pour découper le bois. Laissez la lame s'arrêter complètement avant de relever le bras.

Une coupe transversale est une coupe de bois effectuée au travers du fil à n'importe quel angle. Une coupe transversale droite s'effectue avec le bras d'onglet en position zéro degré. Réglez et verrouillez le bras d'onglet à zéro, maintenez fermement le bois en place sur la table et contre le guide. Après avoir serré la poignée de blocage de rail, mettez la scie en marche en appuyant sur la détente vers le bas comme illustré à la figure 4.

Lorsque la scie atteint son plein régime (en environ 1 seconde), baissez doucement et lentement le bras pour découper le bois. Laissez la lame s'arrêter complètement avant de relever le bras.

Lors de la découpe de toute pièce plus grande que 5 x 20 cm (2 x 8 po) ou 5 x 15 cm avec un onglet à 45 degrés, utilisez un mouvement extérieur-bas-retour après avoir desserré la poignée de blocage de rail. Tirez la scie vers vous, abaissez la tête de scie vers la pièce et repoussez lentement la scie pour terminer la coupe. Ne laissez pas la scie entrer en contact avec le sommet de la pièce lorsque vous tirez dessus. La scie pourrait se déplacer rapidement vers vous et pourrait entraîner une blessure corporelle ou endommager votre pièce.

REMARQUE : Afin d'augmenter la capacité de coupe transversale avec des coups de scie réduits, la lame du DW718 s'étend plus profondément dans la table. Il s'ensuit que la force de levage exercée sur la pièce durant la coupe peut être plus importante.

▲ **MISE EN GARDE** : Utilisez toujours un pinceur de travail pour conserver la maîtrise de la pièce et réduire le risque de dommages à votre pièce et de blessure corporelle.

REMARQUE : la poignée de blocage de rail illustrée à la figure 4 doit être desserrée pour permettre à la scie de glisser le long de ses rails.

Les coupes transversales à l'onglet s'effectuent avec le bras d'onglet disposé à un angle différent de zéro. L'angle est souvent de 45 degrés pour couper des coins, mais peut être défini comme n'importe quelle valeur entre 0 et 50 degrés à gauche ou à droite. Effectuez la coupe comme décrit ci-dessus.

Lors de la coupe de pièce plus larges que 5 x 15 cm (2 x 6 po) de longueur plus courte, placez toujours le côté le plus long contre le guide (fig. 12).

COUPES EN BISEAU

Une coupe en biseau est une coupe transversale réalisée avec la lame de la scie formant un angle avec la pièce en bois. Afin de mettre le biseau en place, desserrez la poignée de blocage de biseau, soulevez le levier de loquet de biseau (figure 4) et déplacez la scie comme souhaité vers la gauche ou la droite. (Il est nécessaire de déplacer le guide pour permettre un dégagement suffisant). Lorsque l'angle de biseau souhaité a été réglé, resserrez bien la poignée de fixation de biseau.

Les angles de biseau peuvent être définis entre 48 degrés à droite et 48 degrés à gauche et peuvent être coupés avec l'arbre à ongles positionné entre 50 degrés à droite et 60 degrés à gauche. Dans le cas de certains angles extrêmes, il est possible de devoir retirer le guide de gauche ou de droite. Pour ce faire, dévissez la poignée de réglage de guide de quelques tours et retirez le guide en le faisant glisser.

QUALITÉ DE COUPE

La qualité de toute coupe dépend de plusieurs variables. Des paramètres tels que le matériau coupé, le type de lame, la dureté de la lame et la vitesse de coupe contribuent tous à la qualité de coupe.

Lorsque des coupes plus régulières sont souhaitées, notamment dans le cas de moulures ou d'autres travaux de précision, une lame aiguisée (60 dents en carbure) et une vitesse de coupe plus faible et plus régulière produiront le résultat souhaité.

Assurez-vous que le matériau ne flue pas pendant l'opération de coupe en le fixant de manière sûre. Laissez toujours la lame s'arrêter complètement avant de relever le bras.

Si de petites fibres de bois sont toujours projetées à l'arrière de la pièce, placez un morceau de ruban adhésif de carrossier sur le bois à l'endroit où la coupe sera effectuée. Sciez à travers le ruban adhésif et retirez-le soigneusement lorsque vous avez terminé.

FIG. 11

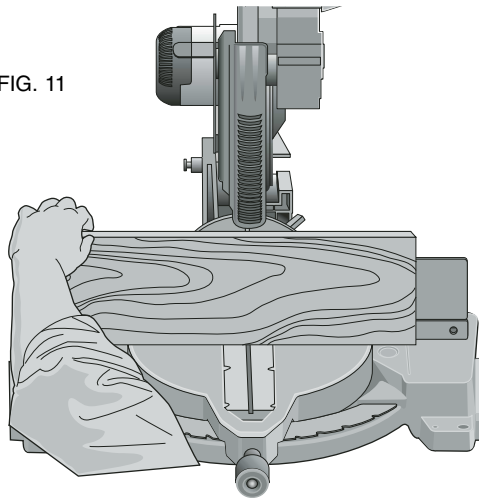
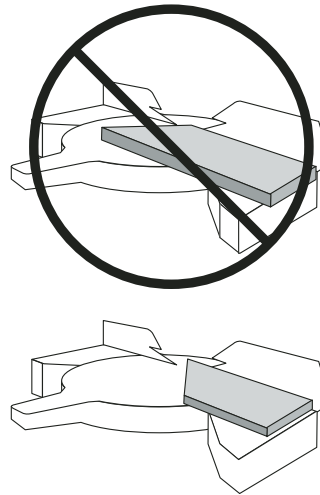


FIG. 12

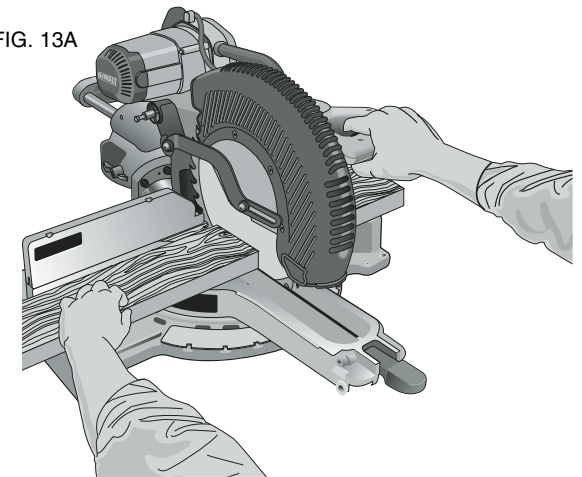


Pour différentes applications de coupe, consultez la liste de lames de scie recommandées pour votre outil et sélectionnez celle qui s'adapte le mieux à vos besoins (page 20).

POSITION DU CORPS ET DES MAINS (FIG. 13A)

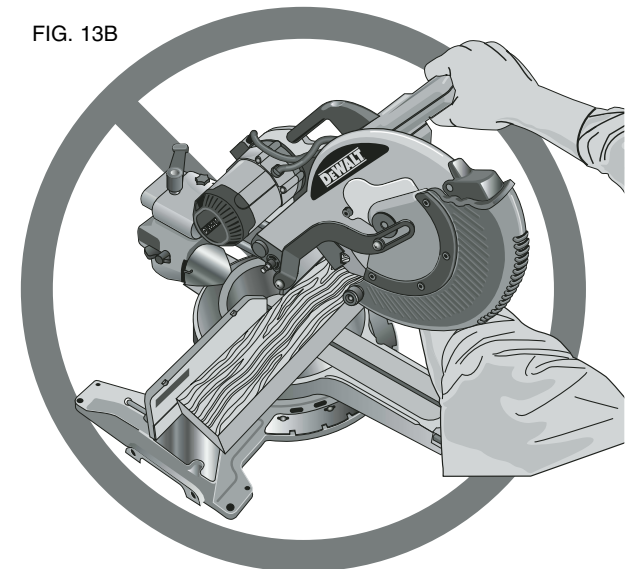
Un positionnement adéquat de votre corps et de vos mains lors de l'utilisation de la scie à onglet rendra la coupe plus facile, plus précise et plus sûre. Ne placez jamais vos mains à proximité de la zone de coupe. Ne placez pas à moins de 15 cm (6 po) de la lame. Maintenez fermement la pièce en place contre la table et le guide pendant l'opération de coupe. Gardez vos mains en position jusqu'au relâchement de la détente et à l'arrêt complet de la lame. EFFECTUEZ TOUJOURS DES ESSAIS À

FIG. 13A



COUPE ADÉQUATE

FIG. 13B



COUPE INADÉQUATE

BLANC (SANS ALIMENTATION) AVANT DE RÉALISER VOS COUPES AFIN DE VÉRIFIER LA TRAJECTOIRE DE LA LAME. NE CROISEZ PAS LES MAINS, TEL QU'ILLUSTRÉ À LA FIGURE 13B.

Gardez vos pieds ancrés au sol afin de maintenir votre équilibre. Lorsque vous déplacez le bras d'onglet vers la gauche ou la droite, suivez-le et tenez-vous légèrement sur le côté de la lame de la scie. Observez au travers des persiennes du pare-main lorsque vous suivez un trait tiré au crayon.

FIXATION DE LA PIÈCE

Mettez la scie hors tension et débranchez-la.

Si vous ne pouvez pas manuellement maintenir la pièce sur la table et contre le guide (à cause d'une forme irrégulière ou d'une autre raison) ou que votre main se trouverait à moins de 15 cm (6 po) de la lame, vous devez utiliser un pinceur de travail ou une autre fixation.

Pour un résultat optimal, utilisez le pinceur DW7082 conçu pour une utilisation avec votre scie. Il se peut qu'une bride de fixation d'un autre type soit livrée avec votre DW718. Pour vous procurer le DW7082, contactez votre revendeur local ou un centre de service DeWALT.

D'autres accessoires tels que pinces à ressort, serres à barre ou serre-joint en C peuvent être adaptées à certaines tailles et formes de matériaux. Prêtez attention lors de la sélection et de la pose de ces fixations. Prenez le temps d'effectuer un essai à blanc avant d'entamer la coupe. Les guides de gauche et de droite coulissent d'un côté à l'autre pour faciliter l'opération de pinçage.

INSTALLATION DE LA BRIDE

1. L'insérer dans le trou situé derrière le guide. La bride doit être face à l'arrière de la scie à onglets. La rainure logée dans la tige de la bride doit être bien insérée dans la base. S'assurer que cette rainure est bien insérée dans la base de la scie à onglets. Si la rainure est visible, cela signifie que la bride est mal fixée.
2. Tourner la bride de 180 degrés vers l'avant de la scie à onglets.
3. Desserrer la poignée pour monter ou descendre la bride, puis utiliser le bouton de réglage fin pour serrer fermement la pièce.

REMARQUE : Placer la bride du côté opposé à la base pour le biseautage. **TOUJOURS EFFECTUER DES MARCHES À SEC (SANS ALIMENTATION) AVANT DE RÉALISER VOS COUPES AFIN DE VÉRIFIER LA TRAJECTOIRE DE LA LAME. S'ASSURER QUE LA BRIDE N'OBSTRUE PAS LE MOUVEMENT DE LA SCIE OU DES DISPOSITIFS DE PROTECTION.**

AVERTISSEMENT : Une pièce qui est encastrée, équilibrée et fixée avant d'être coupée peut être déséquilibrée après avoir été coupée. Une charge déséquilibrée peut faire incliner la scie ou toute chose à laquelle la scie est fixée comme une table ou un banc d'établi. Pour effectuer la coupe d'une pièce pouvant devenir déséquilibrée, bien soutenir la pièce et s'assurer que la scie est bien bloquée à une surface stable.

AVERTISSEMENT : Le pied de la bride doit être encastré au-dessus de la base de la scie chaque fois que la bride est utilisée. Toujours serrer la pièce à la base de la scie et non à une autre partie de la zone de travail. S'assurer que le pied de la bride n'est pas serré au bord de la base de la scie.

FIG. 14

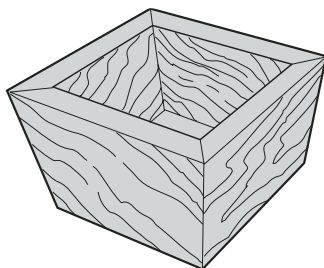


FIG. 15

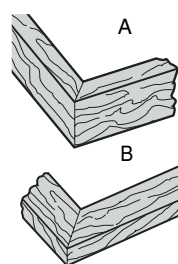
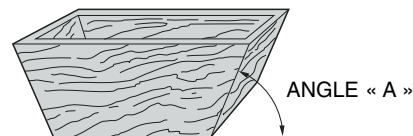


FIG. 16



SOUTIEN DES PIÈCES LONGUES

Mettez la scie hors tension et débranchez-la.

SOUTENEZ TOUJOURS LES PIÈCES LONGUES.

Ne jamais utiliser une personne pour remplacer un rallonge de table, comme soutien supplémentaire pour une pièce dont la longueur ou la largeur dépasse le banc de scie de base ou pour aider à alimenter, soutenir la pièce ou pour la tirer.

Pour optimiser le résultat, utiliser le support DW7080 de travail en extension afin d'augmenter la largeur de votre table à scier. Il est vendu séparément par votre concessionnaire local. Soutenez les longues pièces à l'aide de tout moyen commode, par exemple un chevalet de sciage ou un appareil similaire, afin d'empêcher les extrémités de tomber.

DÉCOUPE DE CADRES, DE COFFRAGES ET D'AUTRES OBJETS À QUATRE FACES

Pour mieux comprendre comment façonner les éléments mentionnés ici, nous vous suggérons de commencer par des projets simples en utilisant des chutes de bois jusqu'à ce que vous soyez bien familiarisé avec votre outil.

Votre scie est l'outil parfait pour réaliser des coins à l'onglet comme celui illustré à la figure 14. Le diagramme A de la figure 15 illustre un assemblage réalisé à l'aide du réglage de biseau pour biseauter les arêtes des deux planches à 45 degrés chacune afin de produire un coin à 90 degrés. Pour réaliser cet assemblage, le bras d'onglet était bloqué à la position zéro et le réglage de biseau était bloqué à 45 degrés. Le morceau de bois était positionné avec le large côté plat contre la table et l'arête étroite contre le guide. Il aurait également été possible de découper à l'onglet à droite et à gauche en maintenant la surface large contre le guide.

DÉCOUPE DE MOULURES DE GARNISSAGE ET D'AUTRES CADRES

Le diagramme B de la figure 14 illustre un assemblage réalisé en réglant le bras d'onglet à 45 degrés pour couper à onglet les deux planches afin de former un coin à 90 degrés. Pour réaliser ce type d'assemblage, réglez le biseau sur zéro et le bras d'onglet sur 45 degrés. Le morceau de bois était à nouveau positionné avec le large côté plat contre la table et l'arête étroite contre le guide.

Les deux diagrammes de la figure 11 correspondent à des objets à quatre côtés.

Lorsque le nombre de côtés change, les angles d'onglet et de biseau changent aussi. Le tableau ci-dessous indique les angles adéquats pour diverses formes.

(Le tableau suppose que tous les côtés sont de même longueur). Pour réaliser une forme qui n'apparaît pas dans le tableau, utilisez la formule suivante : 180 degrés divisé par le nombre de côté donne l'angle d'onglet (si le matériau est coupé verticalement) ou de biseau (s'il est coupé à plat).

- EXEMPLES -	
PAS DE CÔTÉ	ONGLET OU BISEAU D'ANGLE
4	45 °
5	36 °
6	30 °
7	25.7 °
8	22.5 °
9	20 °
10	18 °

DÉCOUPE À ONGLET MIXTE

Une coupe à onglet mixte est réalisée en utilisant simultanément un angle d'onglet et un angle de biseau. C'est le type de coupe utilisé pour fabriquer des cadres ou des boîtes dont les côtés sont inclinés, comme illustré dans la figure 16.

REMARQUE : Si l'angle de coupe varie d'une coupe à l'autre, vérifiez que la poignée de fixation de biseau et la poignée de blocage d'onglet sont bien serrées. Ces poignées doivent être resserrées après chaque réglage d'onglet ou de biseau.

Le tableau de la page 31 vous aidera à sélectionner les réglages d'onglet et de biseau adéquats pour des coupes à onglet mixte classiques. Pour utiliser le tableau, sélectionnez l'angle « A » souhaité (figure 16) pour votre projet et recherchez cet angle sur l'arc adéquat du tableau. Tracez un trait vertical à partir de ce point pour lire l'angle de biseau adéquat et un trait horizontal pour lire l'angle d'onglet adéquat.

Réglez votre scie sur les angles prescrits et effectuez quelques coupes d'essai. Entraînez-vous à assembler les pièces coupées jusqu'à maîtriser cette procédure.

Exemple : pour fabriquer une boîte à quatre côtés avec des angles extérieurs à 26 degrés (Angle A, figure 15), utilisez l'arc supérieur droit. Trouvez la valeur 26 ° sur

l'échelle de l'arc. Suivez la ligne horizontale intersectante jusqu'à l'un des deux axes pour obtenir le réglage de l'angle d'onglet pour votre scie (42°). Suivez de même la ligne verticale intersectante vers le bas ou vers le haut pour obtenir le réglage de l'angle de biseau pour la scie (18°). Essayez toujours les coupes sur des chutes de bois afin de vérifier les réglages de la scie.

DÉCOUPE DE MOULURES D'EMBASE

EFFECTUEZ TOUJOURS UN ESSAI À BLANC SANS ALIMENTATION AVANT D'ENTAMER TOUTE COUPE.

Coupes droites à 90 degrés :

Placez le bois contre le guide et maintenez-le en place comme illustré à la figure 11. Mettez la scie en marche, laissez la lame atteindre son plein régime et abaissez doucement le bras à travers la coupe.

DÉCOUPE DE MOULURES D'EMBASE JUSQU'À 165 MM (6,5 PO) DE HAUTEUR VERTICALEMENT CONTRE LE GUIDE

Placez le matériau comme illustré à la figure 11.

Toutes les coupes doivent être réalisées avec l'arrière de la moulure contre le guide et la base de la moulure contre la base

COIN INTÉRIEUR :

Côté gauche

1. Onglet gauche à 45°
2. Conservez le côté gauche de la coupe

Côté droit

1. Onglet droit à 45°
2. Conservez le côté droit de la coupe

COIN EXTÉRIEUR :

Côté gauche

1. Onglet droit à 45°
2. Conservez le côté gauche de la coupe

Côté droit

1. Onglet gauche à 45°
2. Conservez le côté droit de la coupe

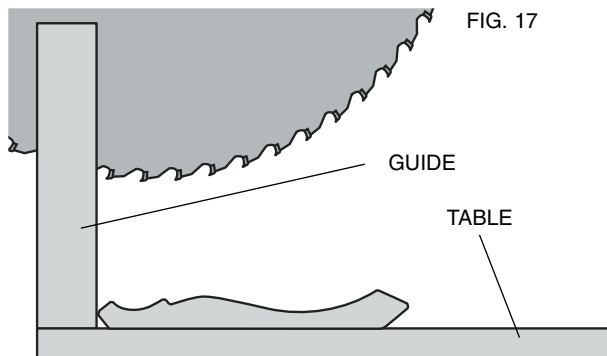
Du matériel jusqu'à 159 mm (6,5 po) peut être coupé comme indiqué ci-dessus.

DÉCOUPE DE MOULURES COURONNÉES

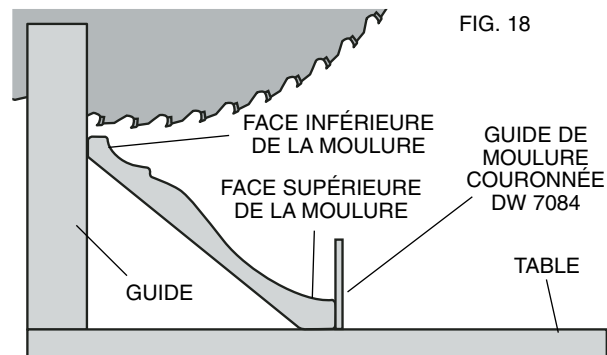
Votre scie à onglet est mieux adaptée à la tâche de découpe de moulures couronnées qu'aucun autre outil. Afin de s'ajuster correctement, les moulures couronnées doivent être découpées à l'onglet avec une précision extrême.

Les deux surfaces plates d'un morceau de moulure couronnée donné sont à des angles dont la somme est exactement 90 degrés. La majorité, mais non la totalité, des moulures couronnées ont un angle arrière supérieur (la section qui s'adapte à plat contre le plafond) de 52 degrés et un angle arrière inférieur (la partie qui s'adapte à plat contre le mur) de 38 degrés.

Votre scie à onglet comporte des points de loquet d'onglet prédéfinis à 31,62 degrés à gauche et à droite pour



MOULURE COURONNÉE À PLAT SUR LA TABLE ET CONTRE LE GUIDE



MOULURE COURONNÉE ENTRE GUIDE ET TABLE

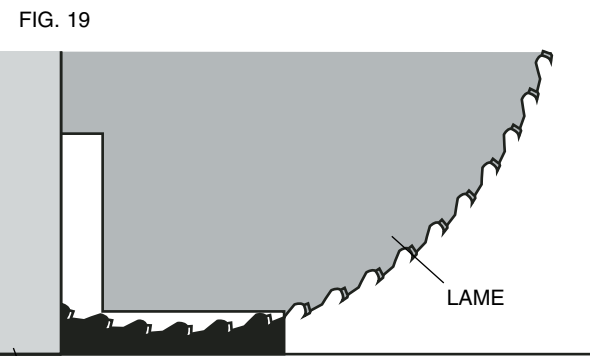
découper des moulures couronnées à l'angle adéquat, et des cliquets de butée de biseau à 33,85 degrés à gauche et à droite. Une marque est également présente sur l'échelle de biseau à 33,85 degrés.

Le tableau suivante indique les paramètres appropriés pour la découpe de moulures couronnées. (Les paramètres d'onglet et de biseau sont très précis et ne sont pas facile à régler précisément sur votre scie). Comme les angles de la plupart de pièces ne sont pas exactement de 90 degrés, il vous faudra dans tous les cas ajuster vos réglages.

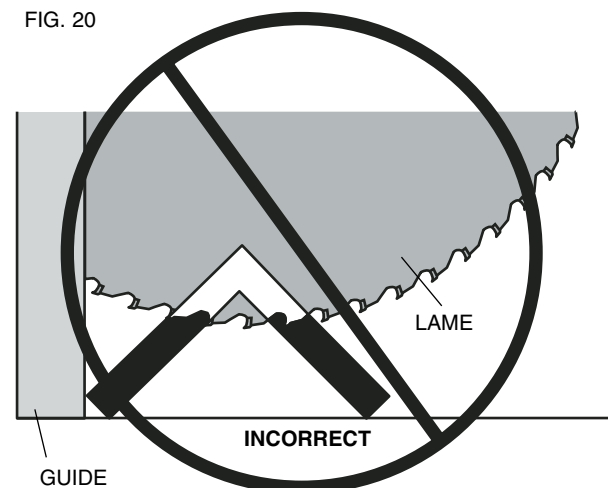
IL EST EXTRÊMEMENT IMPORTANT D'EFFECTUER DES TESTS PRÉLIMINAIRES AVEC DES CHUTES DE BOIS!

INSTRUCTION POUR LA DÉCOUPE DE MOULURES COURONNÉES À PLAT ET EN UTILISANT LES ONGLETS MIXTES

1. Moulure dont la large surface arrière est à plat sur la table à scier (figure 17).
2. Les réglages ci-dessous s'appliquent aux moulures couronnées standard (É-U) avec des angles de 52° et 38°.



CORRECT



INCORRECT

CONFIGURATION DE BISEAU	TYPE DE COUPE
Gauche à 33,85°	CÔTÉ GAUCHE, COIN INTÉRIEUR : 1. Partie supérieure de la moulure contre le guide. 2. Table d'onglet définie à 31,62°. 3. Conservez le côté gauche de la coupe.
Droite à 33,85°	CÔTÉ DROIT, COIN INTÉRIEUR : 1. Partie supérieure de la moulure contre le guide. 2. Table d'onglet définie à 31,62°. 3. Conservez le côté droit de la coupe.

	CÔTÉ GAUCHE, COIN EXTÉRIEUR :
Droite à 33,85 °	<ol style="list-style-type: none"> 1. Partie supérieure de la moulure contre le guide. 2. Table d'onglet définie à 31,62 ° 3. Conservez le côté gauche de la coupe
	CÔTÉ DROIT, COIN EXTÉRIEUR :
Gauche à 33,85 °	<ol style="list-style-type: none"> 1. Partie supérieure de la moulure contre le guide 2. Table d'onglet définie à 31,62 ° 3. Conservez le côté droit de la coupe

Lors du réglage d'onglet et de biseau pour tous les onglets mixtes, n'oubliez pas que :

Les angles présentés pour les moulures couronnées sont très précis et difficiles à régler de manière exacte. Puisqu'ils peuvent facilement se décaler légèrement et que très peu de pièces présentent des angles exactement droits, tous les réglages doivent être testés auparavant sur des chutes de moulures.

IL EST EXTRÊMEMENT IMPORTANT D'EFFECTUER DES TESTS PRÉLIMINAIRES SUR DES CHUTES!

MÉTHODE ALTERNATIVE DE DÉCOUPE DE MOULURES COURONNÉES.

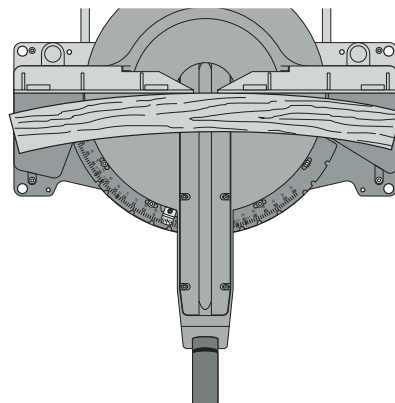
Placez la moulure sur la table en laissant un angle entre le guide et la table à scier, comme illustré à la figure 18. L'utilisation de l'accessoire de guide pour moulures couronnées (DW7084) est fortement recommandée en raison de son degré de précision et de commodité. Cet accessoire est disponible auprès de votre concessionnaire local.

Avec cette méthode de découpe de moulure couronnée, aucune coupe biseautée n'est requise. Des modifications minimales peuvent être apportées à l'angle d'onglet sans affecter l'angle de biseau. Ainsi, en cas de coins autres qu'à 90 degrés, il est possible d'ajuster rapidement et facilement la scie en conséquence. Utilisez l'accessoire de guide pour moulures couronnées afin de conserver l'angle que formera la moulure avec le mur.

INSTRUCTIONS POUR LA DÉCOUPE DE MOULURES COURONNÉES MISES EN ANGLE ENTRE LE GUIDE ET LA BASE DE LA SCIE POUR TOUTES LES COUPES :

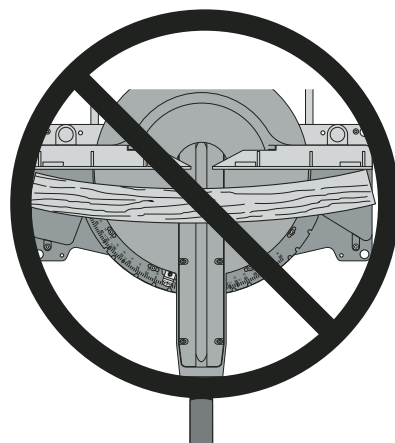
1. Faites pivoter la moulure de sorte que sa partie inférieure (celle qui sera adossée au mur lors de l'installation) se trouve contre le guide et que sa partie supérieure repose sur la base de la scie, comme illustré à la figure 18.
2. Les parties plates formant un angle à l'arrière de la moulure doivent bien reposer sur le guide et la base de la scie.

FIG. 21



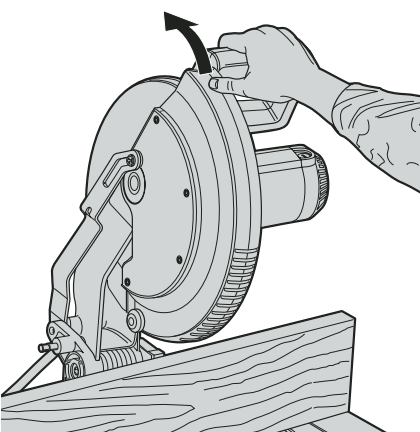
CORRECT

FIG. 22



INCORRECT

FIG. 23



COIN INTÉRIEUR :

Côté gauche

1. Onglet droit à 45 °
2. Conservez le côté droit de la coupe

Côté droit

1. Onglet gauche à 45 °
2. Conservez le côté gauche de la coupe

COIN EXTÉRIEUR :

Côté gauche

1. Onglet gauche à 45 °
2. Conservez le côté droit de la coupe

Côté droit

1. Onglet droit à 45 °
2. Conservez le côté gauche de la coupe

Découpes spéciales

N'EFFECTUEZ JAMAIS AUCUNE DÉCOUPE SI LE MATÉRIAU N'EST PAS MAINTENU EN PLACE SUR LA TABLE ET CONTRE LE GUIDE.

DÉCOUPE D'ALUMINIUM

UTILISEZ TOUJOURS DES LAMES DE SCIE APPROPRIÉES SPÉCIALEMENT CONÇUES POUR LA DÉCOUPE D'ALUMINIUM. Elles sont disponibles auprès de votre revendeur DEWALT local ou d'un centre de service DEWALT. À cause de leur taille, de leur forme ou de l'aspect de leur surface, certaines pièces peuvent nécessiter l'utilisation de pinces ou de fixations pour éviter tout mouvement durant la découpe. Positionnez le matériel de telle sorte que vous couperez la section transversale la plus fine, tel qu'illustré à la figure 19. La figure 20 illustre la mauvaise manière de couper ces extrusions. Utilisez un lubrifiant de coupe en cire en bâton lors de la découpe d'aluminium. Appliquez directement le lubrifiant de coupe en cire en bâton sur la lame de scie avant d'entamer l'opération de coupe. N'appliquez jamais de cire en bâton sur une lame en mouvement.

La cire est disponible auprès de la majorité des quincailleries et des magasins de fourniture en minoteries; elle apporte une lubrification adaptée et empêche les copeaux d'adhérer à la lame.

Veillez à bien fixer la pièce. Référez-vous à la page 20 pour connaître les lames de scie appropriées.

MATÉRIAU ARQUÉ

Lors de la découpe de matériau arqué, placez toujours ce dernier comme illustré à la figure 21 et jamais comme illustré à la figure 22. Si vous placez incorrectement le matériau, il pincera la lame un peu avant la fin de la coupe.

DÉCOUPE DE TUYAU EN PLASTIQUE OU D'AUTRE MATÉRIAU ROND

Il est facile de couper des tuyaux en plastique avec votre scie. Il faut les couper exactement de la même manière que du bois et **LES PINCER OU LES MAINTENIR**

FERMEMENT CONTRE LE GUIDE POUR LES EMPÊCHER DE ROULER. Cela est extrêmement important lors de découpes en angle.

DÉCOUPE DE GRANDS MATÉRIAUX

De temps à autre, vous serez confronté à une pièce de bois légèrement trop grande pour passer sous le pare-main de la lame. Si cela se produit, placez simplement votre pouce droit sur la partie supérieure du pare-main, puis remontez le pare-main juste assez pour libérer la pièce comme le montre la figure 23. Évitez de procéder ainsi autant que possible, mais s'il le faut, la scie fonctionnera bien et réalisera une plus grosse coupe. **NE JAMAIS ATTACHER, COLLER NI FIXER LE PARE-MAIN DE MANIÈRE À LE MAINTENIR OUVERT DURANT L'UTILISATION DE CETTE SCIE.**

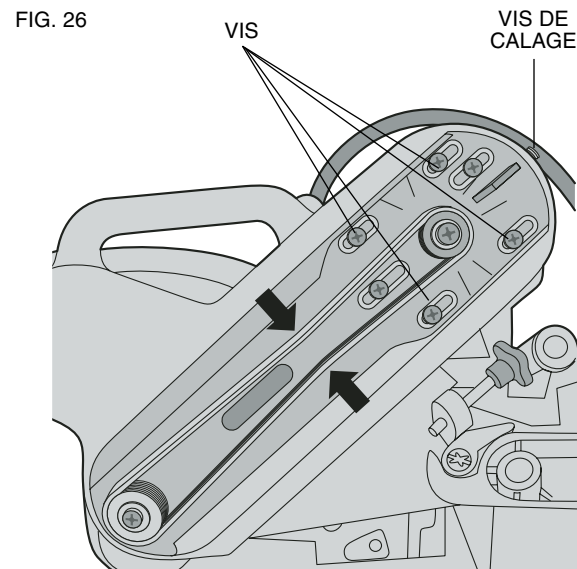
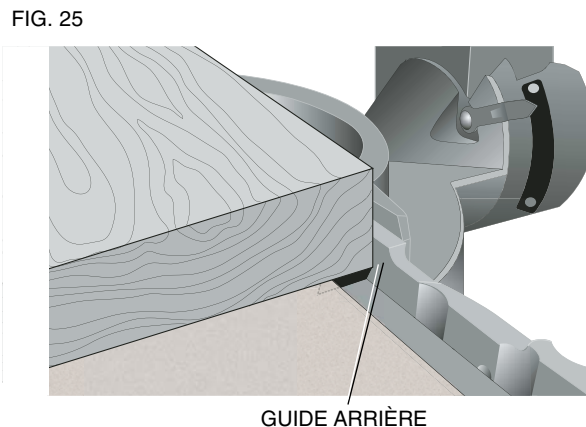
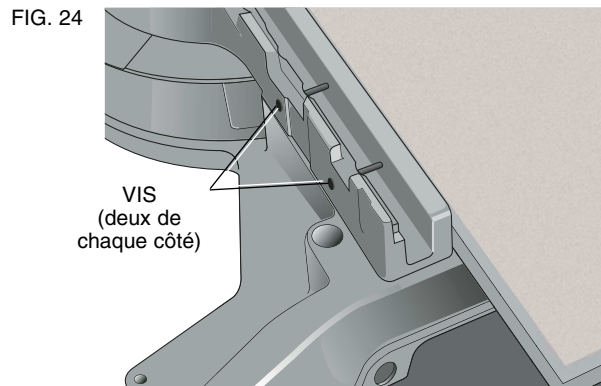
CONFIGURATION SPÉCIALE POUR LES COUPES TRANSVERSALES LARGES

Votre scie peut couper des pièces très larges (jusqu'à 406 mm (16 po)) en utilisant une configuration spéciale. Pour ce faire, suivez la procédure suivante :

1. Retirez les guides coulissants gauche et droite de la scie et mettez-les à l'écart. Pour les retirer, dévisser de plusieurs tours les poignées de guide et faites glisser chaque guide vers l'extérieur. Réglez et bloquez la commande d'onglet de telle sorte qu'elle indique un onglet à 0 degré.
2. Façonnez une plate-forme à l'aide d'une pièce de 38 mm (1,5 po) d'aggloméré épais ou d'un morceau de bois plat similaire de 38 mm d'épaisseur aux dimensions suivantes : 368 x 600 mm (14,5 x 26 po). La plate-forme doit être plane afin que le matériau ne puisse pas se déplacer durant la découpe et causer des blessures.
3. Montez la plate-forme de 368 x 600 mm sur la scie en passant 4 vis à bois de 75 mm (3 po) de longueur au travers des trous du guide de la base (fig. 24). Il faut utiliser quatre vis pour fixer le matériau de manière adéquate. Lors de l'utilisation de cette configuration spéciale, la plate-forme sera coupée en deux morceaux. Assurez-vous que les vis sont bien serrées pour éviter que le matériau ne se desserre et puisse causer des blessures. Assurez-vous que la plate-forme est fermement à plat sur la table, contre le guide et centrée entre les bords gauche et droit.

⚠ AVERTISSEMENT : Assurez-vous que la scie est fermement assemblée à une surface plane et stable. Si vous négligez de le faire, la scie pourrait devenir instable et tomber, en causant des blessures corporelles.

4. Placez la pièce à couper sur la plate-forme assemblée à la table. Assurez-vous que la pièce repose fermement contre le guide arrière (fig. 25).
5. Fixez le matériau avant de le couper. Coupez lentement à travers le matériau en utilisant un mouvement extérieur-bas-et-retour. Négliger de fixer la pièce de



manière sûre ou de couper lentement pourrait desserrer le matériau et causer des blessures.

Après que vous avez effectué plusieurs coupes à des angles d'onglet autres que 0°, il se peut que la plate-forme s'affaiblisse et ne soutienne plus correctement l'ouvrage. Installez alors sur la scie une nouvelle plate-forme inutilisée après avoir préréglé l'angle d'onglet souhaité.

⚠ MISE EN GARDE : L'utilisation continue d'une plate-forme contenant plusieurs traits de scie peut entraîner une perte de maîtrise du matériel et des blessures possibles.

Dépose et remplacement de la courroie

La courroie est conçue pour durer pendant toute la vie de l'outil. Une mauvaise utilisation de l'outil pourrait cependant entraîner une défaillance de courroie.

Si la lame ne tourne pas alors que le moteur fonctionne, la courroie est en panne. Pour inspecter ou remplacer la courroie, retirez les vis du couvercle de la courroie. Retirez le couvercle de la courroie. Inspectez les nervures de la courroie en recherchant des signes d'usure ou de panne. Vérifiez la tension de la courroie en la serrant comme illustré à la figure 26. Les moitiés de la courroie devraient presque se toucher si vous les serrez fermement entre le pouce et l'index. Pour régler la tension, desserrez, mais sans les retirer, les quatre vis cruciformes indiquées. Faites ensuite pivoter la vis de calage située au sommet du moulage de la plaque du moteur jusqu'à atteindre la tension adéquate. Revissez bien les quatre vis et remplacez le couvercle de la courroie.

REMARQUE : Un serrage trop important de la courroie pourrait entraîner une panne de moteur prématurée.

Entretien

1. Tous les roulements sont scellés. Ils sont lubrifiés à vie et n'ont besoin d'aucun entretien supplémentaire.
2. Retirez régulièrement toute la poussière et tous les copeaux de bois situés autour ET SOUS la base et la table rotative. Même si des emplacements sont prévus pour permettre l'évacuation de débris, de la poussière s'accumule.
3. Les brosses sont conçues pour durer plusieurs années. Si elles ont besoin d'être remplacées, suivez les instructions de la page 23 ou retournez l'outil au centre de service le plus proche pour réparation. Une liste des centres de service est livrée avec l'outil.

Réparations

Pour garantir la SÉCURITÉ et la FIABILITÉ du produit, les réparations, l'entretien et le réglage doivent être réalisés par un centre de réparation d'usine DEWALT, un centre de réparation agréé DEWALT ou tout autre personnel d'entretien qualifié. Utilisez toujours des pièces de rechange identiques

Garantie limitée trois ans

DEWALT réparera gratuitement tous les problèmes du à des défauts de matériau ou de fabrication pendant trois ans à compter de la date d'achat. Cette garantie ne couvre pas des défaillances de pièce dues à une usure normale ou à une mauvaise utilisation de l'outil. Pour plus de détails relatifs à la couverture de la garantie et aux réparations sous garantie, visitez www.dewalt.com ou contactez le 1-800-4-DEWALT (1-800-433-9258). Cette garantie ne s'applique pas aux accessoires ou aux dommages causés par des réparations réalisées ou tentées par des tiers. Cette garantie vous accorde des droits légaux spécifiques et vous pourriez avoir d'autres droits qui varient d'un État ou d'une province à l'autre.

En plus de la garantie, les outils DEWALT sont couverts par notre :

ENTRETIEN GRATUIT D'UN AN

DEWALT entretiendra l'outil et remplacera les pièces usées par une utilisation normale, et ce gratuitement, à tout instant pendant la première année à compter de la date d'achat.

GARANTIE DE REMBOURSEMENT DE 90 JOURS

Si vous n'êtes pas entièrement satisfait des performances de votre outil électrique, laser ou marteau-cloueur DEWALT, vous pouvez le retourner accompagné d'un reçu dans les 90 jours suivant la date d'achat et nous vous rembourserons entièrement – sans poser de question.

PRODUIT RÉNOVÉ : Tout produit rénové est couvert par une garantie gratuite d'entretien d'un an. La garantie de remboursement sous 90 jours et la garantie limitée de trois ans ne s'appliquent pas aux produits rénovés.

REPLACEMENT GRATUIT DES ÉTIQUETTES D'AVERTISSEMENT : Si vos étiquettes d'avertissement sont illisibles ou manquantes, contactez le 1-800-4-DEWALT pour un remplacement gratuit.

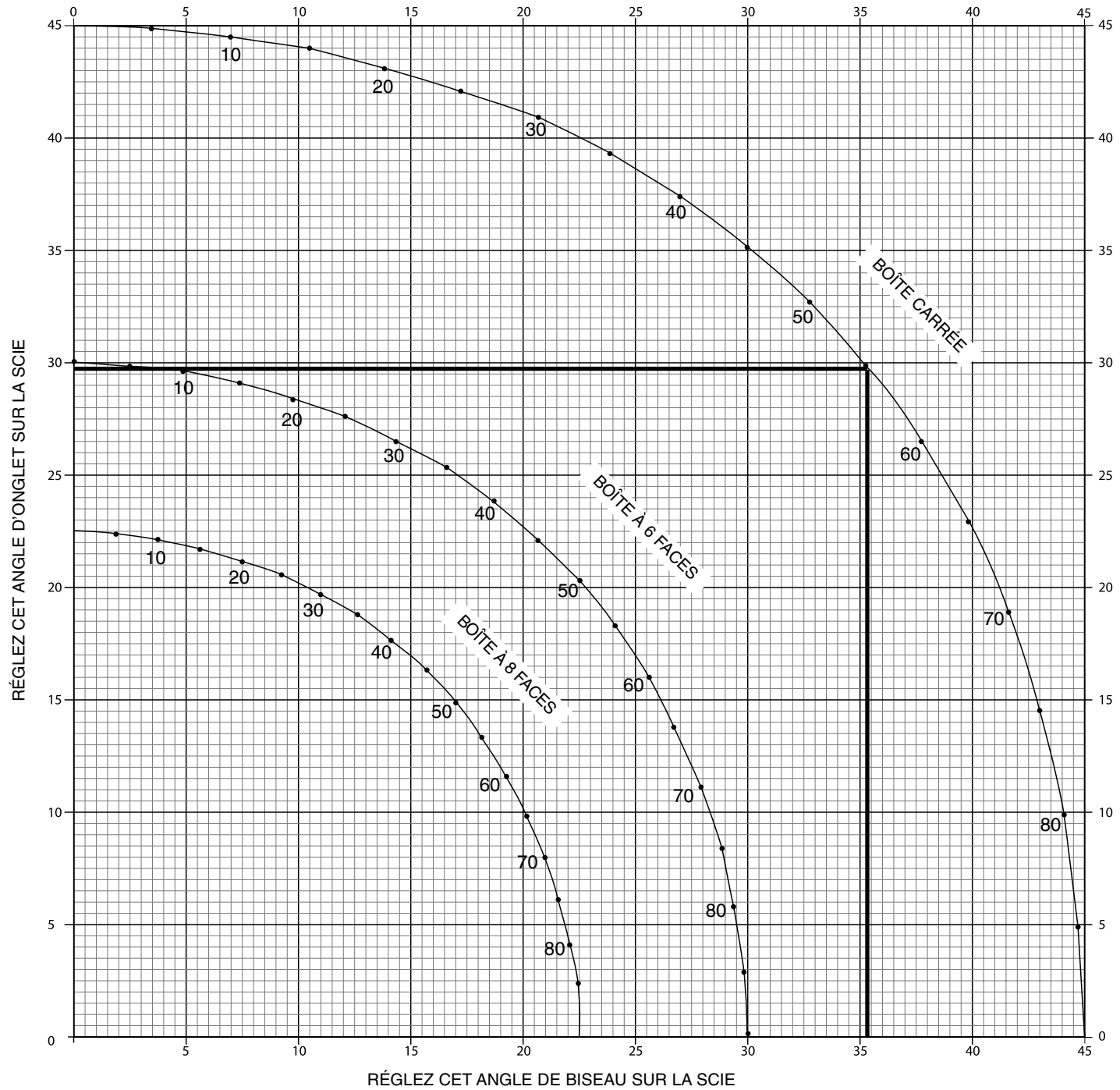
Avis de brevet

Fabriqué sous un ou plusieurs des brevets suivants des États-Unis.:

6,823,765	6,101,914	5,907,987	5,375,495
6,810,780	6,035,754	5,862,734	5,285,708
6,520,059,	6,032,563	5,582,089	5,199,343

D'autres brevets peuvent être en instance.

TABLEAU 1 COUPE À ONGLET MIXTE (Positionnez le morceau de bois avec le large côté plat contre la table et l'arête étroite contre le guide.)



Français

Guide de dépannage

VEILLEZ À SUIVRE LES RÈGLES ET CONSIGNES DE SÉCURITÉ

PROBLÈME! LA SCIE NE DÉMARRE PAS

QUEL EST LE PROBLÈME?

1. Scie non branchée
2. Fusible grillé ou disjoncteur déclenché
3. Cordon endommagé

4. Brosses usées

QUE FAIRE...

1. Branchez la scie.
2. Remplacez le fusible ou réinitialisez le disjoncteur.
3. Faites remplacer le cordon par un centre de service agréé.
4. Faites remplacer les brosses par un centre de service agréé ou remplacez-les vous-même comme indiqué à la page 23.

PROBLÈME! LES DÉCOUPES EFFECTUÉES PAR LA SCIE NE SONT PAS SATISFAISANTES

QUEL EST LE PROBLÈME?

1. Lame émoussée
2. Lame montée à l'envers
3. Gomme ou résine sur la lame

4. Lame inadéquate pour le travail effectué

QUE FAIRE...

1. Remplacez la lame. Voir page 21.
2. Renversez la lame. Voir page 21.
3. Retirez la lame et nettoyez-la à l'aide de térébenthine et de laine d'acier grossière ou de produit domestique de nettoyage de four.
4. Changez de type de lame. Voir page 20.

PROBLÈME! LA LAME N'ATTEINT PAS SON PLEIN RÉGIME

QUEL EST LE PROBLÈME?

1. La rallonge est trop légère ou trop longue
2. Courant domestique trop bas

QUE FAIRE...

1. Remplacez-la par une rallonge de taille adéquate. Voir page 17.
2. Contactez votre fournisseur d'électricité.

PROBLÈME! MACHINE VIBRATES EXCESSIVELY

QUEL EST LE PROBLÈME?

1. La scie n'est pas correctement fixée sur le tréteau ou l'établi
2. Le tréteau ou l'établi est sur un sol irrégulier
3. Lame de scie endommagée

QUE FAIRE...

1. Vissez bien tout le matériel d'assemblage. Voir page 20.
2. Repositionnez-le sur une surface plane. Voir page 20.
3. Remplacez la lame. Voir page 21.

PROBLÈME! DOES NOT MAKE ACCURATE MITER CUTS

QUEL EST LE PROBLÈME?

1. L'échelle d'onglet n'est pas correctement réglée
2. La lame n'est pas d'équerre par rapport au guide
3. La lame n'est pas perpendiculaire à la table
4. La pièce à découper se déplace

QUE FAIRE...

1. Vérifiez et ajustez. Voir page 21.
2. Vérifiez et ajustez. Voir page 22.
3. Vérifiez et ajustez le guide. Voir page 22.
4. Fixez-la au guide ou collez du papier abrasif de calibre 120 sur le guide à l'aide de colle de caoutchouc

PROBLÈME! LE MATÉRIAU PINCE LA LAME

QUEL EST LE PROBLÈME?

1. Découpe de matériau arqué

QUE FAIRE...

1. Positionnez le matériau arqué comme indiqué à la page 28.

ÍNDICE DE TEMAS

INSTRUCCIONES SOBRE DOBLE AISLAMIENTO / ENCHUFE POLARIZADO.....	34	CONTROLES	40
INSTRUCCIONES DE SEGURIDAD PARA TODAS LAS HERRAMIENTAS	34	OPERACIÓN.....	41
NORMAS DE SEGURIDAD ADICIONALES	34	INTERRUPTOR	41
CONEXIÓN ELÉCTRICA	36	CORTES CON LA SIERRA	41
ACCESORIOS	36	CORTES TRANSVERSALES	41
DESCRIPCIONES DE LAS HOJAS	37	CORTES BISELADOS	42
CÓMO DESEMBALAR LA SIERRA	37	CALIDAD DEL CORTE	42
ESPECIFICACIONES	37	POSICIÓN DEL CUERPO Y LAS MANOS	42
FAMILIARIZARSE CON LA HERRAMIENTA	37	SUJECIÓN DE LA PIEZA DE TRABAJO	42
MONTAJE EN EL BANCO DE TRABAJO.....	37	SOPORTE DE PIEZAS LARGAS.....	43
RETIRO DE LA HOJA	38	CORTE DE MARCOS PARA FOTOS, CAJAS PARA EXHIBIR OBJETOS Y OTROS ELEMENTOS DE CUATRO LADOS	43
INSTALACIÓN DE LA HOJA	38	CORTE DE MOLDURAS DE TERMINACIÓN Y OTROS MARCOS	43
TRANSPORTE DE LA SIERRA.....	38	CORTE DE INGLETES COMPUESTOS	43
AJUSTES	38	CORTE DE MOLDURAS DE BASE.....	44
REGULACIÓN DE LA ESCALA DE INGLETE	38	CORTE DE MOLDURAS DE CORONA	44
REGULACIÓN DEL INDICADOR DE INGLETE	38	CORTES ESPECIALES.....	45
BISEL A ESCUADRA CON LA MESA	39	RERETIRO Y REEMPLAZO DE LA CORREA	46
INDICADOR DE BISEL	39	MANTENIMIENTO	46
TOPE DE BISEL.....	39	GARANTÍA	47
REGULACIÓN DEL REBORDE.....	39	TABLA 1: CORTE DE INGLETE COMPUESTO	48
FRENO ELÉCTRICO AUTOMÁTICO	40	GUÍA PARA SOLUCIONAR PROBLEMAS	49
ACCIONAMIENTO Y VISIBILIDAD DEL PROTECTOR	40		
REGULACIÓN DE LA PLACA DE CORTE	40		
REGULACIÓN DE LA GUÍA DEL RIEL	40		
REGULACIÓN DEL BLOQUEO DE INGLETE	40		
CEPILLOS	40		

Instrucciones de seguridad importantes



ADVERTENCIA: Al utilizar herramientas eléctricas, siempre se deben tomar ciertas precauciones básicas de seguridad para minimizar el riesgo de incendio, descarga eléctrica y lesiones personales.

LEA TODAS LAS INSTRUCCIONES

Doble aislamiento

Las herramientas de doble aislamiento están fabricadas en su totalidad con dos capas separadas o con una capa de doble espesor de aislamiento eléctrico, que protege al usuario del sistema eléctrico de la herramienta. Las herramientas fabricadas con este sistema de aislamiento no requieren conexión a tierra. En consecuencia, esta herramienta está equipada con un enchufe de dos patas que le permite utilizar cables prolongadores sin tener que preocuparse por mantener la conexión a tierra.

NOTA: El doble aislamiento no sustituye las precauciones normales de seguridad que se deben tomar al utilizar la herramienta. El sistema de aislamiento es una medida de protección adicional contra cualquier lesión resultante de una posible falla eléctrica del sistema de aislamiento interno de la herramienta.

▲PRECAUCIÓN: AL REPARAR, SÓLO UTILICE PIEZAS DE REPUESTO IDÉNTICAS A LAS ORIGINALES. Repare o reemplace los cables dañados.

Enchufes polarizados

Los enchufes polarizados (una pata es más ancha que la otra) se utilizan en los equipos para reducir el riesgo de descarga eléctrica. Este enchufe se ajusta al tomacorriente polarizado de una sola manera. Si el enchufe no se ajusta totalmente al tomacorriente, invierta el enchufe. Si aun así no se ajusta bien, recurra a un electricista calificado para que instale un tomacorriente adecuado. No cambie el enchufe de ninguna manera.

Instrucciones de seguridad para todas las herramientas

- **MANTENGA EL PROTECTOR INSTALADO ADECUADAMENTE** y en funcionamiento.
- **RETIRE LAS CLAVIJAS DE AJUSTE Y LLAVES DE TUERCAS.** Acostúmbrese a verificar que se hayan retirado del eje las clavijas de ajuste y llaves de tuercas antes de encender la herramienta.
- **MANTENGA LIMPIA EL ÁREA DE TRABAJO.** Los espacios y los bancos de trabajo abarrotados propician accidentes.
- **NO UTILICE HERRAMIENTAS EN LUGARES PELIGROSOS.** No utilice herramientas eléctricas en lugares húmedos o mojados, y no las exponga a la lluvia o la nieve. Mantenga bien iluminada el área de trabajo.
- **MANTENGA A LOS NIÑOS ALEJADOS.** Los visitantes deben mantenerse a una distancia segura del área de trabajo.
- **PROCURE QUE SU TALLER SEA INACCESIBLE PARA LOS NIÑOS;** instale candados y interruptores maestros, o retire las llaves que accionan las herramientas.
- **NO FUERCE LA HERRAMIENTA.** Funcionará mejor y será más segura si la utiliza a la velocidad para la que fue diseñada.
- **UTILICE LA HERRAMIENTA APROPIADA.** No fuerce la herramienta o el accesorio en tareas para las que no fueron diseñados.
- **UTILICE INDUMENTARIA ADECUADA.** No utilice ropa holgada, guantes, corbatas, anillos, pulseras u otras alhajas que puedan quedar atrapadas entre las piezas móviles. Se recomienda el uso de calzado antideslizante. Recójase y cubra el cabello largo. Los orificios de ventilación pueden cubrir piezas en movimiento, por lo que también se deben evitar.
- **UTILICE SIEMPRE ANTEOJOS DE SEGURIDAD.** Utilice también máscaras faciales o para polvo si el corte produce polvillo. Los anteojos de uso diario sólo cuentan con lentes resistentes a impactos, NO son anteojos de seguridad.

- **SUJETE LA PIEZA DE TRABAJO.** Utilice abrazaderas o tornillos de banco si no puede sujetar con las manos la pieza de trabajo a la mesa y contra la guía, o si su mano queda muy cerca de la hoja (a menos de 152 mm o 6").
- **NO SE ESTIRE.** Conserve el equilibrio adecuado y manténgase parado correctamente en todo momento.
- **CONSERVE LAS HERRAMIENTAS ADECUADAMENTE.** Mantenga las herramientas afiladas y limpias para obtener el mejor y más seguro rendimiento. Siga las instrucciones para lubricar y cambiar los accesorios.
- **DESCONECTE LAS HERRAMIENTAS** antes de realizar reparaciones y al cambiar accesorios como hojas, brocas, cuchillas, etc.
- **REDUZCA EL RIESGO DE ENCENDIDO ACCIDENTAL.** Asegúrese de que el interruptor esté en la posición de APAGADO (OFF) antes de enchufar.
- **UTILICE LOS ACCESORIOS RECOMENDADOS.** Consulte el manual de instrucciones para obtener información acerca de los accesorios recomendados. La utilización de accesorios inadecuados puede ocasionar lesiones personales.
- **NUNCA SE PARE SOBRE LA HERRAMIENTA.** Si la herramienta se cae o alguien toca accidentalmente el elemento cortante, podrían producirse lesiones graves.
- **REVISE LAS PIEZAS DAÑADAS.** Antes de volver a utilizar la herramienta, se deben controlar cuidadosamente los protectores o cualquier otra pieza dañada para asegurar el funcionamiento y rendimiento apropiados de la herramienta en la aplicación deseada. Controle la alineación de las piezas móviles, roturas de piezas, bloqueos y cualquier otra situación que pueda afectar el funcionamiento de la herramienta. Los protectores u otras piezas dañadas deben ser correctamente reparadas o reemplazadas. No utilice la herramienta si no puede encenderla o apagarla con el interruptor.
- **NUNCA DEJE LA HERRAMIENTA EN FUNCIONAMIENTO SIN SUPERVISIÓN. DESCONECTE LA ENERGÍA.** No suelte la herramienta hasta que la misma no se haya detenido por completo.
- **NO OPERE HERRAMIENTAS ELÉCTRICAS CERCA DE LÍQUIDOS INFLAMABLES O EN ATMÓSFERAS GASEOSAS O EXPLOSIVAS.** Los motores de estas herramientas originan chispas que pueden encender los vapores.
- **CABLES PROLONGADORES.** Asegúrese de que el cable prolongador esté en buenas condiciones. Cuando utilice un cable prolongador, asegúrese de que tenga la capacidad para conducir la corriente que su producto exige. Un cable de menor capacidad provocará una caída en el voltaje de la línea que producirá pérdida de potencia y sobrecalentamiento. La siguiente tabla muestra la medida correcta a utilizar según la longitud del cable y la capacidad nominal en amperios indicada en la placa. En caso de duda, utilice el siguiente calibre mayor. Cuanto menor es el número de calibre, más grueso es el cable.

Calibre mínimo para cables prolongadores

Voltios	Longitud total del cable en metros				
120V	0-7,6	7,6-15,2	15,2-30,4	30,4-45,7	
240V	0-15,2	15,2-30,4	30,4-60,9	60,9-91,4	
Amperaje					
Más de	No más de	Calibre del cable AWG			
0	- 6	18	16	16	14
6	- 10	18	16	14	12
10	- 12	16	16	14	12
12	- 16	14	12	No recomendado	

Normas de seguridad adicionales para las sierras ingletadoras

▲PRECAUCIÓN: EL INCUMPLIMIENTO DE ESTAS ADVERTENCIAS PUEDE CAUSAR LESIONES PERSONALES Y PROVOCAR DAÑOS GRAVES A LA SIERRA.

- **SÍ** – Proteja la línea de suministro eléctrico con un disyuntor de 15 amperios mínimo o un fusible de acción retardada de 15 amperios.

- **SÍ** – Asegúrese de que la hoja gire en la dirección adecuada y que los dientes de la parte inferior de la hoja apunten hacia la parte trasera de la sierra ingletadora.
 - **SÍ** – Asegúrese de que las manijas de las abrazaderas estén ajustadas antes de comenzar cualquier operación.
 - **SÍ** – Asegúrese de que las hojas y arandelas de abrazadera estén limpias y que los lados embutidos de los anillos estén contra la hoja. Ajuste el tornillo del mandril firmemente.
 - **SÍ** – Mantenga afilada la hoja de la sierra.
 - **SÍ** - Controle que no se acumulen astillas y suciedad en las ventilaciones del motor.
 - **SÍ** – Utilice protectores de hoja en todo momento.
 - **SÍ** – Mantenga las manos alejadas del trayecto de la hoja de la sierra.
 - **SÍ** – Desconecte la energía, desenchufe el cable de la fuente de energía y espere a que la hoja de la sierra se detenga antes de realizar reparaciones o ajustes en la herramienta.
 - **SÍ** – Apoye las piezas largas en soportes de herramientas externos.
 - **NO** intente operar la herramienta con un voltaje que no sea el adecuado.
 - **NO** comience a operar la herramienta a menos que todas las manijas de las abrazaderas estén ajustadas.
 - **NO** utilice hojas de mayor o menor tamaño que el recomendado.
 - **NO** trabe el ventilador con objetos para detener el eje del motor.
 - **NO** fuerce la acción de corte. (La parada total o parcial del motor puede provocar daños graves. Deje que el motor alcance la velocidad máxima antes de cortar.)
 - **NO** corte metales ferrosos (que contengan hierro o acero) o mampostería.
 - **NO** utilice discos abrasivos. El exceso de calor y las partículas abrasivas que generan estos discos pueden dañar la sierra.
 - **NO** permita que nadie se pare detrás de la sierra.
 - **NO** aplique lubricantes a la hoja en funcionamiento.
 - **NO** coloque las manos en el área de la hoja mientras la sierra esté conectada a la fuente de energía.
 - **NO** utilice hojas de velocidad inferior a 4 800 rpm.
 - **NO** corte piezas pequeñas sin sujetarlas con abrazaderas. Mantenga las manos a una distancia de por lo menos 152 mm (6") de la hoja.
 - **NO** opere la sierra si los protectores no están adecuadamente instalados.
 - **NO** realice ninguna operación a pulso.
 - **NO** intente alcanzar objetos alrededor o detrás de la hoja de la sierra.
 - **NO** coloque las manos a menos de 152 mm (6") de la hoja de la sierra.
 - **NO** intente alcanzar objetos debajo de la sierra, a menos que la misma esté apagada y desenchufada. La hoja está expuesta en la parte inferior de la sierra.
 - **NO** retire las manos de la sierra o la pieza de trabajo ni levante los brazos hasta que la sierra se haya detenido.
 - **NO** utilice lubricantes o limpiadores (especialmente pulverizadores o aerosoles) cerca del protector de plástico. El policarbonato utilizado para los protectores puede ser corroído por ciertos productos químicos.
 - Utilice siempre la placa de corte y reemplácela cuando esté dañada, porque la acumulación de pequeñas astillas debajo de la sierra puede interferir con la hoja de la sierra o provocar la inestabilidad de la pieza de trabajo durante el corte.
- ▲ **PRECAUCIÓN:** No conecte la unidad a la fuente de energía hasta no haber leído y comprendido todas las instrucciones.
- ▲ **PRECAUCIÓN:** Utilice la protección auditiva apropiada mientras usa la herramienta. Bajo ciertas condiciones y según el período de uso, el ruido provocado por este producto puede contribuir a la pérdida de audición.
- ▲ **ADVERTENCIA:** Algunas partículas originadas al lijar, aserrar, amolar, taladrar y realizar otras actividades de construcción contienen productos químicos que producen

cáncer, defectos de nacimiento y otros problemas reproductivos. Algunos ejemplos de estos productos químicos son:

- el plomo de las pinturas de base plomo,
- la sílice cristalina de ladrillos, cemento y otros productos de mampostería, y
- el arsénico y el cromo de la madera con tratamiento químico (CCA).

El riesgo derivado de estas exposiciones varía, según la frecuencia con la que se realice este tipo de trabajo. Para reducir la exposición a estos productos químicos: se recomienda trabajar en áreas bien ventiladas y usar equipos de seguridad aprobados, como las máscaras para polvo especialmente diseñadas para filtrar las partículas microscópicas.

- **Evite el contacto prolongado con las partículas de polvo originadas al lijar, aserrar, esmerilar, taladrar y realizar demás actividades de la construcción. Use industrial protectora y lave las áreas expuestas con agua y jabón.** Evite que el polvo entre en la boca y en los ojos o se deposite en la piel, para impedir la absorción de productos químicos nocivos.

▲ **ADVERTENCIA:** El uso de esta herramienta puede generar o dispersar partículas de polvo, que pueden causar lesiones respiratorias permanentes y graves u otras lesiones. Use siempre protección respiratoria aprobada por NIOSH/OSHA (Instituto Nacional de Salud y Seguridad Ocupacional de EE.UU./Administración de la Salud y Seguridad Ocupacional de EE.UU.) apropiada para la exposición al polvo. Aleje las partículas de la cara y el cuerpo.

Para su comodidad y seguridad, la herramienta incluye las siguientes etiquetas de advertencia.

EN LA CUBIERTA DEL MOTOR:

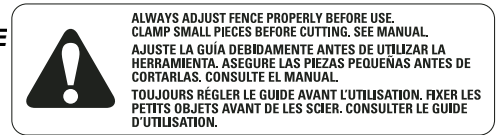
ADVERTENCIA: POR SU PROPIA SEGURIDAD, LEA EL MANUAL DE INSTRUCCIONES ANTES DE OPERAR LA SIERRA.

AL REPARAR, SÓLO UTILICE PIEZAS DE REPUESTO IDÉNTICAS.

NO EXPONGA A LA LLUVIA NI UTILICE EN LUGARES HÚMEDOS SIEMPRE UTILICE PROTECCIÓN PARA LOS OJOS.

EN LOS REBORDES MÓVILES:

SIEMPRE REGULE CORRECTAMENTE EL REBORDE ANTES DE UTILIZAR LA HERRAMIENTA. Ajuste las piezas pequeñas antes de cortar. Consulte el manual.



EN EL PROTECTOR: **PELIGRO – MANTÉNGASE ALEJADO DE LA HOJA.**

EN EL PROTECTOR SUPERIOR: **SUJETE CORRECTAMENTE EL SOPORTE CON AMBOS TORNILLOS ANTES DE UTILIZAR LA HERRAMIENTA.**

EN LA MESA: (2 LUGARES)

AJUSTE SIEMPRE LAS PERILLAS DE REGULACIÓN ANTES DE UTILIZAR LA HERRAMIENTA.

MANTENGA LAS MANOS A 152 MM (6") DEL TRAYECTO DE LA HOJA DE LA SIERRA.

NUNCA REALICE OPERACIONES A PULSO.

NUNCA CRUCE LOS BRAZOS FRENTE A LA HOJA.

¡PRESTE ATENCIÓN! EVITE LOS ACCIDENTES.

NO OPERE LA SIERRA SI LOS PROTECTORES NO ESTÁN ADECUADAMENTE INSTALADOS.

APAGUE LA HERRAMIENTA, MANTENGA LA CABEZA DE LA SIERRA HACIA ABAJO Y ESPERE A QUE LA SIERRA

SE DETENGA ANTES DE MOVER LAS MANOS O LA PIEZA DE TRABAJO, O DE MODIFICAR LOS AJUSTES.

DESENCHUFE LA HERRAMIENTA ANTES DE CAMBIAR LA HOJA, O DE MOVER O REPARAR LA UNIDAD.

**DANGER
PELIGRO**

KEEP AWAY
FROM BLADE
MANTENERS ALEJADO
DE LA HOJA
S'ÉLOIGNER DE LA LAME



Conexión eléctrica

Asegúrese de que el suministro de energía concuerde con lo marcado en la placa. 120 voltios, CA significa que la sierra funciona con corriente alterna. El interruptor puede fallar si se utiliza corriente directa. Un descenso en el voltaje del diez por ciento o más producirá una pérdida de potencia y sobrecalentamiento. Todas las herramientas DEWALT están probadas en fábrica. Si esta herramienta no funciona, revise el suministro de energía.

Accesorios

Los accesorios que se recomiendan para utilizar con su herramienta están disponibles a un costo adicional en el centro de servicio de su localidad.

▲ PRECAUCIÓN: La utilización de accesorios no recomendados puede ser peligrosa. No deben utilizarse juegos de discos para ranuras (dado), cuchillas para molduras o discos abrasivos en su sierra ingletadora.

Si necesita ayuda para conseguir algún accesorio, comuníquese con DEWALT Industrial Tool Co., 701 East Joppa Road, Baltimore, MD 21286, llame al 1-800-4-DEWALT (1-800-433-9258) o visite nuestra página web www.dewalt.com.

Accesorios opcionales

Los siguientes accesorios, diseñados para su sierra, pueden resultar útiles. En algunos casos, pueden resultar más apropiados otros soportes para piezas de trabajo, topes longitudinales, abrazaderas, etc. obtenidos localmente. Sea cuidadoso al seleccionar y utilizar los accesorios.

Sistema de dirección por láser: DW7187

Puede adquirir el láser a un costo adicional en los centros de servicio DEWALT y en los comercios de venta de productos para el hogar. Las instrucciones para la instalación vienen con el accesorio. Lea y siga todas las instrucciones para una instalación y utilización seguras.

Soporte de extensión para piezas de trabajo: DW7080

Se utiliza para sostener piezas de trabajo largas que sobresalen; debe ser montado por el usuario. La mesa de la sierra está diseñada para dos soportes de piezas de trabajo, uno de cada lado.

Tope longitudinal regulable: DW7051

Requiere el uso de un soporte de pieza de trabajo (consultar figura). Se utiliza para realizar cortes repetitivos de la misma longitud, de 0 cm a 107 cm (0" a 42").

Abrazadera: DW7082 (modelo similar incluido)

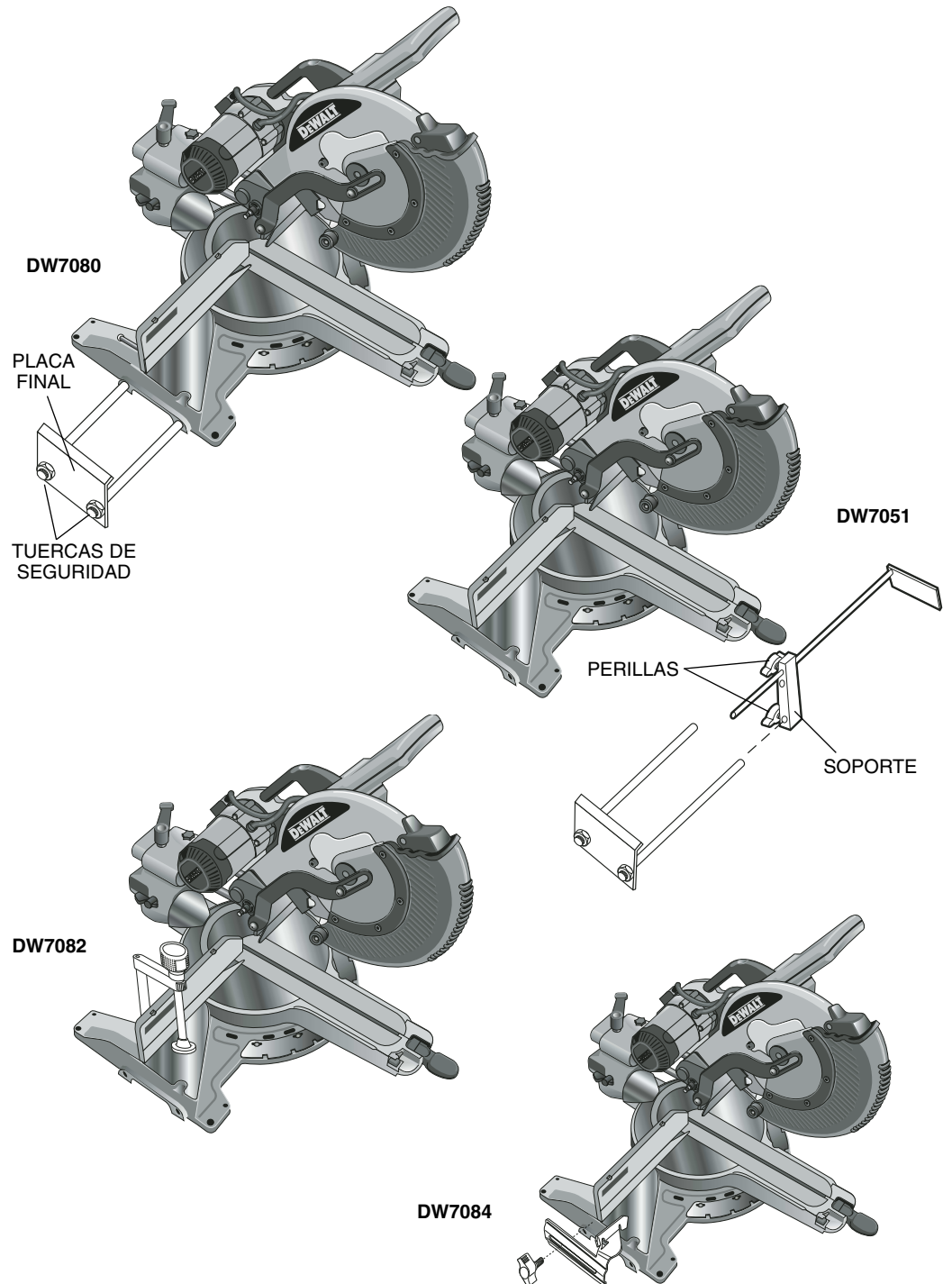
Se utiliza para sujetar firmemente la pieza de trabajo a la mesa de la sierra y así lograr cortes de precisión.

Bolsa para polvo: DW7053 (Incluida en algunos modelos)

Equipada con cierre para permitir su práctico vaciado, la bolsa para polvo recoge la mayor parte del aserrín generado (no se muestra).

Reborde para molduras de corona: DW7084

Se utiliza para el corte preciso de molduras de corona.



HOJAS DE SIERRA: UTILICE SIEMPRE HOJAS DE SIERRA DE 305 MM (12") CON ORIFICIOS PARA MANDRIL DE 25,4 mm (1"). LA VELOCIDAD DEBE SER DE AL MENOS 4800 rpm. Nunca use hojas de menor diámetro. No estarán adecuadamente protegidas.

DESCRIPCIONES DE LAS HOJAS				
APLICACIÓN	MODELO N°	DIÁMETRO	DIENTES	DIENTE ESMERILADO
HOJAS DE SIERRA PARA LA CONSTRUCCIÓN <i>(ranura fina con borde antiadherente)</i>				
Propósito general	DW3123	12"	32	ATB
Excelentes cortes transversales	DW3126	12"	60	ATB
Excelentes cortes transversales	DW3128	12"	80	ATB
HOJAS DE SIERRA PARA CARPINTERÍA <i>(producen cortes limpios y parejos)</i>				
Excelentes cortes transversales	DW7648	12"	60	ATB
Excelentes cortes transversales	DW7649	12"	80	ATB
Cortes transversales ultra finos	DW7650	12"	96	ATB
Laminados	DW7661	12"	80	TCG
Superficie sólida y plásticos	DW7668	12"	80	Mod TCG
Metales no ferrosos	DW7666	12"	80	TCG

Desembalar la sierra

Controle el contenido de la caja de la sierra ingletadora para asegurarse de haber recibido todas las piezas. Además de este manual de instrucciones, la caja debe contener:

1. Una sierra ingletadora DW718.
2. Una hoja de sierra DEWALT de 305 mm (12") de diámetro.
3. Una llave de la hoja en estuche, ilustrada en la figura 4.
4. Una bolsa para polvo DW7053 (algunos modelos).
5. Una abrazadera para sujetar los materiales.

Especificaciones

CAPACIDAD DE CORTE

50° de inglete derecho, 60° de inglete izquierdo

48° de bisel a izquierda y derecha

0° de inglete

Altura máxima 94 mm (3,7") Ancho resultante 328 mm (12,9")
Ancho máximo 345 mm (13,6") Altura resultante 74 mm (2,9")

45° de inglete

Altura máxima 94 mm (3,7") Ancho resultante 231 mm (9,1")
Ancho máximo 241 mm (9,5") Altura resultante 74 mm (2,9")

45° de bisel - izquierda

Altura máxima 61 mm (2,4") Ancho resultante 328 mm (12,9")
Ancho máximo 345 mm (13,6") Altura resultante 48 mm (1,9")

45° de bisel - derecha

Altura máxima 43 mm (1,7") Ancho resultante 328 mm (12,9")

Ancho máximo 345 mm (13,6") Altura resultante 28 mm (1,1")

La sierra puede cortar molduras zócalo de 20 mm (0,8") de espesor por 165 mm (6,5") de alto a 45° de inglete derecho o izquierdo.

NOTA: La sierra, con un procedimiento de configuración especial, puede cortar (consulte **Cortes especiales**):

0° de inglete 1,5 de altura 16,1 de ancho

45° de inglete 1,5 de altura 11,7 de ancho

MOTOR

Motor de 120 voltios

Potencia de entrada : 1 600W

3 600 rpm

Correa en V múltiple

Freno eléctrico automático

Motor de 15 amperios

Engranajes fresados helicoidales

Rodamientos de bolas

Hoja de carburo

Familiarizarse con la herramienta

La sierra ingletadora viene completamente armada en la caja. Abra la caja y extraiga la sierra sujetándola de la práctica agarradera de transporte, como se indica en la figura 1.

Coloque la sierra sobre una superficie lisa y plana, como un banco de trabajo o una mesa fuerte.

Observe las dos figuras de la página 39 para familiarizarse con la sierra y sus diversas piezas. En la sección de will ajustes se describen estas piezas, y es preciso que usted sepa cuáles son y en qué lugar se encuentran.

Presione suavemente la agarradera de operación y despliegue el pestillo de seguridad. Lentamente, deje de presionar y permita que el brazo se eleve a la altura máxima. Utilice el pestillo de seguridad al transportar la sierra de un lugar a otro. Para trasladar la sierra, utilice siempre la agarradera de transporte o el asidero representados en la figura. 2.

Montaje en el banco de trabajo

Las cuatro patas tienen orificios para facilitar el montaje en el banco, como se muestra en la figura 4. (Los orificios son de dos tamaños diferentes para adaptarse a distintos tamaños de tornillos. Utilice cualquiera de los dos orificios, no es necesario utilizar ambos.) Siempre monte la sierra firmemente en una superficie estable, para evitar movimientos. Para facilitar su transporte, se puede montar la herramienta a una pieza de madera contrachapada de 12,5 mm (1/2") de espesor o más, que puede a su vez fijarse al soporte de la pieza de trabajo o trasladarse a otros puestos de trabajo y volver a fijarse.

NOTA: Si elige montar la sierra a una pieza de madera contrachapada, asegúrese de que los tornillos de montaje no sobresalgan de la parte inferior de la madera. La madera contrachapada debe quedar bien estabilizada sobre el soporte de trabajo. Al sujetar la sierra a cualquier superficie de trabajo, utilice únicamente los refuerzos de sujeción donde se encuentran los orificios de los tornillos de montaje. Si la sujeta en cualquier otro lugar es probable que se interfiera con el funcionamiento adecuado de la sierra.

▲ PRECAUCIÓN: Para evitar bloqueos e imprecisiones, asegúrese de que la superficie de montaje no esté deformada o desnivelada. Si la sierra oscila sobre la superficie de trabajo, coloque un trozo delgado de material bajo una de las patas de la sierra para afirmarla sobre la superficie de montaje.

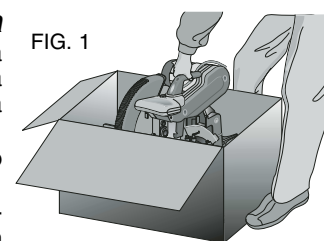


FIG. 1



FIG. 2

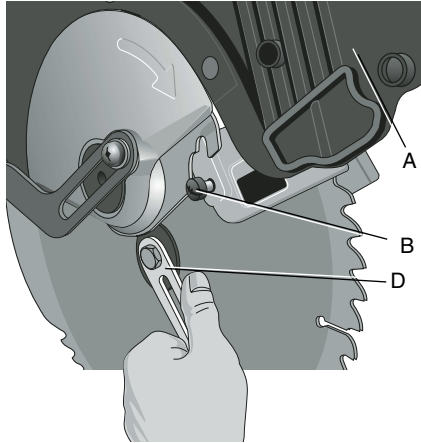
INSTRUCCIONES DE SEGURIDAD **IMPORTANTES**

Cambio o instalación de una hoja de sierra nueva (Fig. 3)

⚠ PRECAUCIÓN:

- Nunca oprima el botón de bloqueo del eje mientras la hoja esté en funcionamiento o en marcha por inercia.
- No utilice la sierra ingletadora para cortar metales ferrosos (que contengan hierro o acero), mampostería o productos de cemento de fibra.

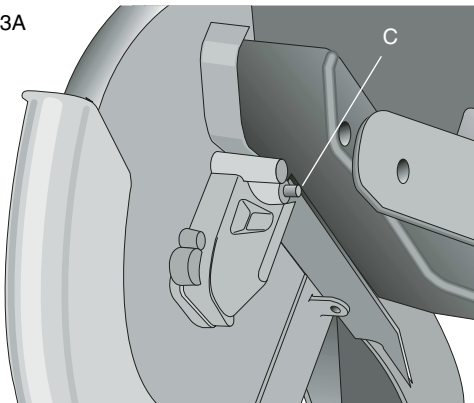
FIG. 3



Retiro de la hoja

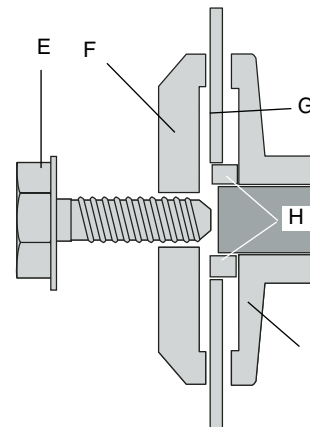
1. Desenchufe la sierra.
2. Levante el brazo hasta la posición superior y levante el protector inferior (A) todo lo que sea posible.
3. Afloje, pero no retire el tornillo del soporte del protector (B) hasta que se pueda levantar suficientemente el soporte como para tener acceso al tornillo de la hoja. El protector inferior permanecerá levantado debido a la posición del tornillo del soporte del protector.

FIG. 3A



4. Oprima el botón de bloqueo del eje (C) mientras gira cuidadosamente la hoja de la sierra a mano hasta enganchar la traba.
5. Manteniendo el botón oprimido, utilice la otra mano y la llave proporcionada (D) para aflojar el tornillo de la hoja. (Gire en sentido de las agujas del reloj, roscas de mano izquierda)
6. Retire el tornillo de la hoja (E), la arandela de abrazadera externa (F), la hoja (G) y el adaptador de hoja (H), si se utiliza. La arandela de abrazadera interna (I) puede dejarse en el eje.

FIG. 3B



NOTA: El adaptador de hoja de 25,4 mm (1") (H) no se utiliza en las hojas que tienen un orificio de 15,88 mm (5/8").

Instalación de la hoja

1. Desenchufe la sierra.
2. Con el brazo levantado, el protector inferior abierto y la placa de rotación levantada, ubique la hoja en el eje sobre el adaptador de hoja (si utiliza una hoja con orificio de 25,4 mm (1") de diámetro) y contra la arandela de la abrazadera interna con los dientes de la parte inferior de la hoja apuntando hacia la parte trasera de la sierra.
3. Monte la arandela de abrazadera externa sobre el eje.
4. Instale el tornillo de la hoja y, engancho el bloqueo del eje, ajuste el tornillo firmemente con la llave provista. (Gire en sentido contrario a las agujas del reloj, roscas de mano izquierda.)

NOTA: Cuando se utilizan hojas con un orificio de 15,88 mm (5/8") de diámetro, no se utiliza el adaptador de hoja, que debe guardarse en un lugar seguro.

5. Vuelva a colocar el soporte del protector en su posición original y ajuste firmemente el tornillo del mismo para mantenerlo en su lugar.

⚠ ADVERTENCIA:

- **Antes de poner en funcionamiento la sierra, se debe volver a colocar el**

soporte del protector en su posición original y ajustar el tornillo.

- **Si no se cumple con esta indicación, el protector podría tocar la hoja de la sierra en rotación, provocando daños a la sierra y lesiones personales graves.**

Transporte de la sierra

APAGUE Y DESENCHUFE LA SIERRA INGLETADORA ANTES DE MOVERLA O REALIZAR CUALQUIER TIPO DE AJUSTE!

Para poder transportarla fácilmente de un lugar a otro, se ha incorporado una agarradera de transporte en la parte superior del brazo de la sierra y asideros en la base, como se muestra en la Figura 4.

Ajustes

DESENCHUFE LA SIERRA INGLETADORA PARA REALIZAR CUALQUIER AJUSTE.

NOTA: La sierra ingletadora recibe todos los ajustes necesarios y precisos durante el proceso de fabricación. Si se precisa realizar nuevos ajustes debido al envío y la manipulación, o por cualquier otro motivo, siga los siguientes pasos.

Una vez realizados, estos ajustes no se volverán a desconfigurar. Tómese el tiempo necesario y siga estas instrucciones cuidadosamente para mantener el alto nivel de precisión de la sierra.

AJUSTE DE LA ESCALA DE INGLETE (FIG. 5)

Coloque una escuadra contra el reborde y la hoja de la sierra, como se indica. (No toque las puntas de los dientes de la hoja con la escuadra. Si lo hace, la medición obtenida será imprecisa.) Afloje la palanquita de bloqueo de inglete y balancee el brazo de inglete hasta que el cerrojo de inglete lo trabee en la posición de inglete 0. No ajuste la palanquita de bloqueo. Si la hoja de la sierra no se encuentra exactamente perpendicular al reborde, afloje los cuatro tornillos que sujetan la escala de inglete a la base y mueva la escala hacia la izquierda o derecha hasta que la hoja quede perpendicular al reborde, midiendo con la escuadra. Vuelva a ajustar los cuatro tornillos. Por el momento, no preste atención a la medida que aparece en el indicador de inglete.

REGULACIÓN DEL INDICADOR DE INGLETE (FIG. 6, 7)

Afloje la palanquita de bloqueo de inglete para mover el brazo de inglete a la posición cero. Una vez que haya aflojado la palanquita de bloqueo de inglete, permita que el cerrojo de inglete quede en la posición correcta a medida que usted gira el brazo de inglete a la posición cero. Observe el indicador y la escala de inglete que se muestran en la figura 6. Si el indicador no marca exactamente cero, afloje el tornillo que sujeta el indicador, vuelva a posicionarlo y ajuste el tornillo.

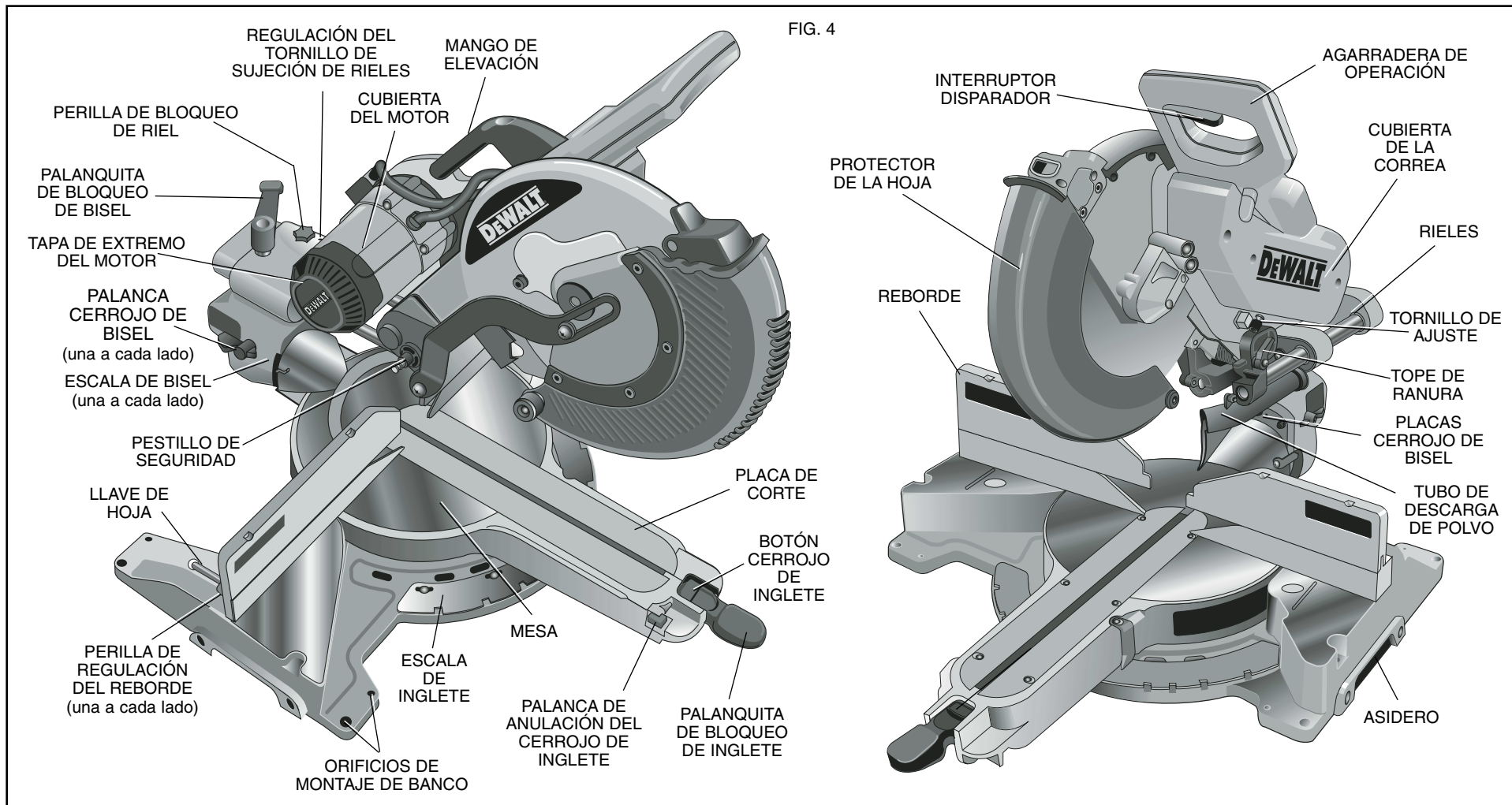


FIG. 4

AJUSTE DE BISEL A ESCUADRA CON LA MESA (FIG. 8)

Para alinear la hoja en escuadra con la mesa, bloquee el brazo en la posición hacia abajo. Coloque una escuadra contra la hoja y la mesa, cuidando que la escuadra no toque los dientes de la hoja. Afloje la palanquita de bloqueo de bisel y verifique que el cerrojo de bisel haya quedado en la posición de 0 grados. Si la hoja de la sierra no se encuentra exactamente perpendicular a la mesa, afloje la tuerca que sujeta la placa cerrojo de bisel de 0 grados a la mesa. Ajuste la tuerca para permitir cierto nivel de resistencia entre las piezas. Golpee suavemente el motor o la cubierta de la correa para mover el montaje superior hasta que la hoja quede en escuadra con la mesa. Ajuste la tuerca de seguridad.

INDICADOR DE BISEL (FIG. 8)

Si los indicadores de bisel marcan cero, afloje todos los tornillos que sujetan a cada indicador y muévalos según sea necesario.

REGULACIÓN DEL TOPE DE BISEL A 45° HACIA LA DERECHA E IZQUIERDA (FIG. 8)

La sierra tiene dos regulaciones de bisel a 45 grados: una hacia la derecha y otra hacia la izquierda. El procedimiento es el mismo para ambos lados.

Para alinear los topes de 45 grados, bloquee el brazo en la posición hacia abajo. Coloque una escuadra para ingletes contra la hoja y la mesa, cuidando que la escuadra no toque los dientes de la hoja. Afloje la palanca de bloqueo de bisel y verifique que el cerrojo de bisel haya

quedado en la posición de 45 grados. Si la hoja de la sierra no está a 45 grados de la mesa, afloje la tuerca que sujeta la placa cerrojo de bisel de 45 grados a la mesa. Gire una o dos vueltas el tornillo de regulación en el sentido contrario a las agujas del reloj, para que la hoja quede a menos de 45 grados de la mesa. Gire el tornillo de regulación en el sentido de las agujas del reloj hasta que la hoja quede a 45 grados de la mesa. Ajuste la tuerca de seguridad.

REGULACIÓN DEL REBORDE (FIG. 9)

Apague y desenchufe la sierra ingletadora.

Para que la sierra pueda biselar a 48 grados completos hacia la izquierda o derecha, uno de los rebordes se puede regular para proporcionar espacio. Para regular los rebordes, afloje la perilla de plástico y deslice el reborde

hacia afuera. Ensaye una vez con la sierra apagada y verifique que haya espacio suficiente. Regule el reborde para que quede lo más cerca posible de la hoja y proporcione un máximo soporte a la pieza de trabajo, sin interferir con el movimiento de elevación y descenso del brazo. Ajuste la perilla firmemente. Al completar las operaciones de biselado, no olvide reubicar el reborde.

NOTA: La ranura de guía de los rebordes puede obstruirse con aserrín. Si nota que ha comenzado a obstruirse, utilice un palillo o aire a baja presión para limpiar la ranura de guía.

FRENO ELÉCTRICO AUTOMÁTICO

La sierra viene equipada con un freno eléctrico automático que detiene la hoja de la sierra dentro de los cinco segundos después de accionar el disparador. El freno no es regulable.

En algunas ocasiones puede producirse un retraso en la activación del freno luego de accionar el disparador. En muy pocas ocasiones puede ocurrir que el freno no se active en absoluto, en cuyo caso la hoja seguirá su marcha por inercia hasta detenerse.

Si se producen retrasos o “saltos”, apague y encienda la sierra cuatro o cinco veces. Si el problema persiste, haga reparar la herramienta en un centro de servicio DEWALT autorizado.

Asegúrese siempre de que la hoja se haya detenido antes de retirarla de la ranura. El freno no sustituye a los protectores, ni tampoco garantiza su seguridad si usted no presta atención al utilizar la sierra.

ACCIONAMIENTO Y VISIBILIDAD DEL PROTECTOR

El protector de la hoja de la sierra se eleva automáticamente cuando el brazo desciende, y desciende sobre la hoja cuando el brazo se eleva.

Al instalar o retirar hojas de sierra, o al realizar inspecciones, usted puede elevar el protector en forma manual. **NUNCA ELEVE EL PROTECTOR DE LA HOJA MANUALMENTE A MENOS QUE LA SIERRA ESTÉ APAGADA.**

NOTA: Algunos cortes especiales de materiales de gran tamaño requieren que el usuario eleve el protector en forma manual. Consulte la página 45.

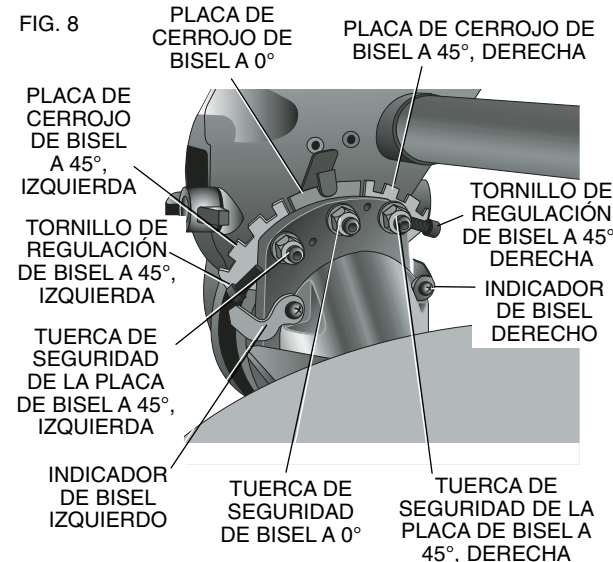
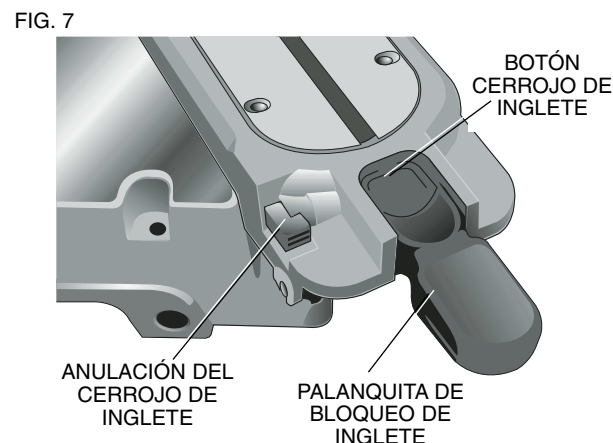
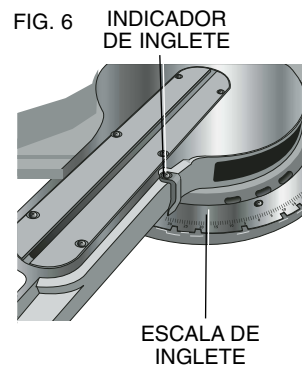
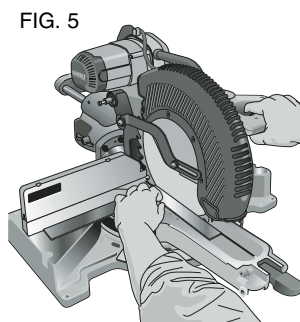
La sección frontal del protector tiene rejillas que proporcionan visibilidad durante el corte. Si bien las rejillas reducen considerablemente los residuos volátiles, no dejan de ser aberturas en el protector, por lo que se debe usar anteojos de seguridad en todo momento al mirar por la rejilla.

REGULACIÓN DE LA PLACA DE CORTE

Para regular las placas de corte, afloje los tornillos que las sujetan. Regúlelas de manera tal que las placas de corte queden lo más cerca posible de la hoja, sin interferir en su movimiento.

REGULACIÓN DEL RIEL DE GUÍA

Controle periódicamente los rieles para asegurarse que no haya huelgos ni espacios. El riel derecho se puede regular con el tornillo de sujeción indicado en la Figura 4.



Para reducir el espacio libre, utilice una llave hexagonal de 4 mm y gire gradualmente el tornillo de sujeción en el sentido de las agujas del reloj, al tiempo que desliza la cabeza de la sierra hacia adelante y hacia atrás. Reduzca los huelgos manteniendo una mínima fuerza de deslizamiento.

REGULACIÓN DEL BLOQUEO DE INGLETE

La barra de bloqueo de inglete debe ajustarse si la mesa de la sierra se mueve cuando la palanquita de bloqueo de inglete está hacia abajo. Para ajustar la palanquita de bloqueo de inglete, súbala. Con una llave de boca de 13 mm, afloje la tuerca de seguridad en la barra de bloqueo de inglete (Fig. 10). Con un destornillador de cabeza plana, ajuste la barra de bloqueo de inglete girándola en el sentido de las agujas del reloj, como se muestra en la Fig. 10. Gire la barra de bloqueo hasta que quede ajustada, luego hágala girar una vez en el sentido contrario a las agujas del reloj. Para asegurarse de que la palanquita de bloqueo de inglete funcione correctamente, vuelva a fijarla en una medida que no esté bloqueada en la escala de inglete (por ejemplo, 34 grados) y asegúrese de que la mesa no gire. Ajuste la tuerca de seguridad.

Cepillos

DESCONECTE EL ENCHUFE DE LA FUENTE DE ENERGÍA.

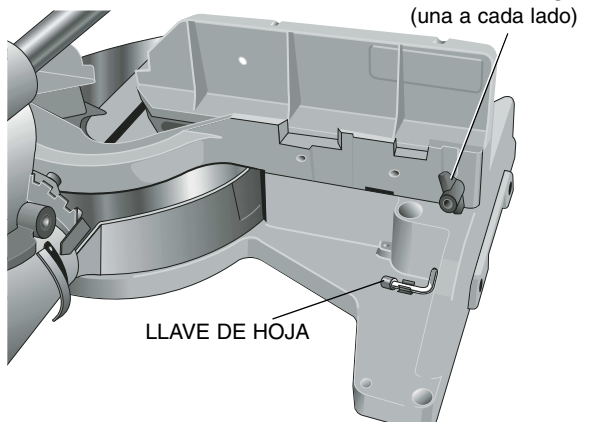
Inspeccione regularmente los cepillos de carbono; para hacerlo, desenchufe la herramienta, quite la tapa de extremo del motor (Fig. 4), levante el resorte del cepillo y retire el montaje de cepillos. Mantenga los cepillos limpios de manera que puedan deslizarse cómodamente en sus guías. Al reemplazar un cepillo usado, observe la posición en la que se encuentra en el soporte, a fin de colocar el nuevo cepillo en la misma posición. Los cepillos de carbono tienen diversos símbolos estampados en sus lados, y si el cepillo se ha gastado hasta aproximadamente 12,5 mm (1/2 pulgada) del resorte, dejará de ejercer presión, por lo que habrá que reemplazarlo. Utilice solamente cepillos DEWALT idénticos. Es fundamental utilizar cepillos de la calidad adecuada para que el freno eléctrico funcione correctamente. En los centros de servicio DEWALT podrá conseguir nuevos montajes de cepillos. Se debe dejar que la herramienta funcione a prueba (sin carga) durante diez minutos antes de utilizarla, para que los cepillos nuevos se asienten. El freno eléctrico puede presentar fallas en su funcionamiento hasta que los cepillos estén adecuadamente asentados (gastados). Vuelva a colocar la tapa de inspección de cepillos luego de inspeccionar o reparar los cepillos.

Durante el funcionamiento “de prueba” NO ATE, ENCINTE O BLOQUEE EL INTERRUPTOR DISPARADOR. SOSTÉNGALO ÚNICAMENTE CON LA MANO.

Controles

La sierra ingletadora compuesta tiene varios controles principales, que serán analizados brevemente a continuación.

FIG. 9



Para obtener más información acerca de estos controles, consulte las secciones anteriores correspondientes.

CONTROL DE INGLETE (FIG. 7)

La palanquita de bloqueo / regulación y disparador de retención de inglete le permiten realizar cortes angulares de 60 grados hacia la izquierda y de 50 grados hacia la derecha. Para regular el inglete de la sierra, levante la palanquita de bloqueo / regulación de inglete, empuje el botón cerrojo de inglete y fije el ángulo de inglete que desea en la escala de inglete. Presione la palanquita de bloqueo para trabar la mesa de la sierra.

INTERRUPTOR DISPARADOR

El interruptor disparador (Fig. 4) enciende y apaga la sierra. El disparador tiene un orificio donde se puede insertar un candado para asegurar la sierra.

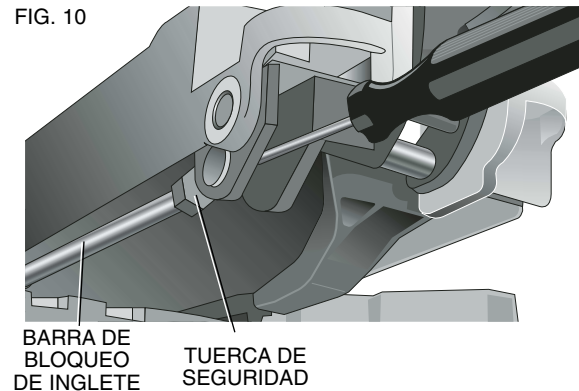
PALANCA DE ANULACIÓN DEL CERROJO DE INGLETE (FIG. 7)

La anulación del cerrojo de inglete permite que la sierra sobrepase los ángulos de tope comunes. Para sobrepasar los ángulos de tope comunes, empuje el botón cerrojo de inglete y mueva la palanca de anulación de bloqueo de inglete a la posición vertical.

CONTROL DE BISEL (FIG. 8)

Las palancas de cerrojo de bisel y la palanquita de bloqueo de bisel le permiten fijar el ángulo de la sierra a 48 grados hacia la izquierda y derecha. La sierra cuenta con dos palancas de cerrojo de bisel, una a cada lado de la cubierta de soporte trasero. Solamente se debe usar una para mover el bisel hacia cualquiera de las direcciones. La palanquita de bloqueo de bisel se encuentra arriba de la cubierta de soporte trasero. Para fijar el ángulo de la sierra, afloje la palanquita de bloqueo de bisel. Levante una de las palancas hasta aproximadamente 45 grados y fije el ángulo de bisel que necesita en la escala de bisel. Hay dos escalas de bisel para su comodidad. Trabe la palanquita de bloqueo de bisel para fijar el bisel. Las palancas

FIG. 10



cerrojo de bisel se pueden levantar verticalmente para anular los ángulos comunes de tope.

La palanquita de bloqueo de bisel permite una rotación limitada. La palanquita se puede volver a orientar para compensar el desgaste normal. Si el bisel de la sierra se mueve mientras la palanquita de bloqueo de bisel está ajustada, entonces ésta deberá volver a ser orientada. Para ajustar la palanquita de bloqueo de bisel, quite el tornillo del centro de la palanquita. Cuidadosamente levante la palanquita con un destornillador de hoja plana. Vuelva a orientar e instalar la palanquita de forma que soporte el bisel cuando esté apretada. Instale y apriete el tornillo.

PERILLA DE BLOQUEO DE RIEL (FIG. 4)

La perilla de bloqueo de riel le permite bloquear la cabeza de la sierra firmemente para evitar que se deslice sobre los rieles. La cabeza de la sierra tiene que estar bloqueada para realizar determinados cortes o transportar la sierra.

TOPE DE RANURAS (FIG. 4)

El tope de ranuras le permite cortar ranuras. Moviendo la palanca hacia el frente de la sierra y apretando el tornillo de ajuste se cambia la profundidad del corte de la ranura. Moviendo la palanca hacia la parte de atrás de la sierra se desvía el tope de ranuras.

PESTILLO DE SEGURIDAD (FIG. 4)

Para bloquear la cabeza de la sierra en la posición hacia abajo, empuje la cabeza hacia abajo, presione el pestillo y suelte la cabeza de la sierra. Así se sostendrá la cabeza de la sierra en forma segura hacia abajo para poder trasladar la herramienta de un lugar a otro. Para soltarla, presione la cabeza de la sierra hacia abajo y retire el pestillo.

Operación

Enchufe la sierra en cualquier fuente de alimentación doméstica de 60 Hz. Consulte el voltaje en la placa de la herramienta. Asegúrese de que el cable no interfiera con su trabajo.

INTERRUPTOR

Para encender la sierra, oprima el interruptor disparador. Para apagarla, suelte el interruptor. Permita que la hoja alcance la velocidad máxima de rotación (rpm) antes de realizar el corte. Suelte el interruptor disparador y permita que el freno detenga la hoja antes de levantar la cabeza de la sierra. No hay ningún dispositivo para bloquear el interruptor en encendido, pero en el orificio del disparador se puede insertar un candado para bloquear la sierra apagada.

CORTES CON LA SIERRA

Si no se utiliza la función de deslizamiento, asegúrese de que la cabeza de la sierra esté lo más atrás posible y que la perilla de bloqueo de riel esté ajustada. Esto evitará que la sierra se deslice por los rieles cuando la pieza esté colocada.

NOTA: Aunque esta sierra corta madera y muchos materiales no ferrosos, limitaremos nuestro análisis solamente al corte de madera. Las mismas pautas se aplican a otros materiales. **NO CORTE MATERIALES FERROSOS (HIERRO Y ACERO) O MAMPOSTERÍA CON ESTA SIERRA.** No emplee hojas abrasivas.

CORTES TRANSVERSALES

No se recomienda cortar muchas piezas, aunque es posible hacerlo en forma segura siempre que cada pieza esté sostenida firmemente contra la mesa y el reborde. Una vez que la sierra haya alcanzado velocidad (al cabo de 1 segundo), baje el brazo uniforme y lentamente para cortar a través de la madera. Espere a que la hoja se detenga por completo para levantar el brazo.

Los cortes transversales se realizan cruzando la veta de la madera en cualquier ángulo. Los cortes transversales rectos se realizan con el brazo del inglete en la posición de cero grado. Fije y bloquee el brazo del inglete en cero, sostenga la madera firmemente sobre la mesa y contra el reborde. Con la perilla de bloqueo de riel apretada, encienda la sierra accionando el interruptor disparador que se muestra en la Fig. 4.

Una vez que la sierra haya alcanzado velocidad (al cabo de 1 segundo), baje el brazo uniforme y lentamente para cortar a través de la madera. Espere a que la hoja se detenga por completo para levantar el brazo.

Cuando corte algún material más largo de 2 x 8 (2 x 6 a 45 grados de inglete), utilice un movimiento hacia afuera, hacia abajo y hacia atrás con la perilla de bloqueo de riel floja. Traiga la sierra hacia usted, baje la cabeza de la sierra en dirección a la pieza de trabajo y lentamente, empuje la sierra hacia atrás para completar el corte. No permita que la sierra toque la parte superior de la pieza de trabajo mientras la retira. La sierra podría correrse hacia usted, provocándole lesiones personales u ocasionando daños a la pieza de trabajo.

NOTA: Para brindar una mayor capacidad de cortes transversales con menor carrera, la hoja de la DW718 se extiende más hacia el centro de la mesa. Como resultado, es posible obtener una mayor fuerza de elevación sobre la pieza de trabajo durante el corte.

⚠ PRECAUCIÓN: Siempre utilice una abrazadera para sujetar la pieza de trabajo a fin de mantener el control y reducir el riesgo de daños en la pieza o lesiones personales.

NOTA: La perilla de bloqueo de riel que se muestra en la Figura 4 debe estar floja para permitir que la sierra se deslice a lo largo de los rieles.

Los cortes transversales de inglete se realizan con el brazo de inglete en cualquier otro ángulo que no sea cero. Este ángulo suele ser de 45 grados para formar esquinas, pero se puede fijar en cualquier posición, de cero a 50 grados, a la izquierda o derecha. Realice el corte según la descripción anterior.

Al cortar piezas de trabajo que son más anchas que largas, de más de 2 x 6, siempre coloque el lado más largo contra el reborde (Fig. 12).

CORTES BISELADOS

Los cortes biselados son cortes transversales que se realizan con la hoja de la sierra en ángulo con la madera. A fin de fijar el bisel, afloje la palanquita de bloqueo de bisel, levante la palanca cerrojo de bisel (Figura 4) y mueva la sierra de izquierda a derecha. (Hay que mover el reborde para dejar espacio libre). Una vez fijado el ángulo de bisel necesario, apriete firmemente la palanquita de fijación de bisel.

Los ángulos de bisel se pueden fijar desde 48 grados a la derecha a 48 grados a la izquierda y se pueden cortar con el brazo del inglete fijo entre 50 grados a la derecha o 60 grados a la izquierda. Es posible que haya que retirar el reborde lateral izquierdo o derecho para algunos ángulos extremos. Para retirar el reborde izquierdo o derecho, desenrosque la perilla de regulación del reborde varias veces y retire el reborde.

CALIDAD DEL CORTE

La uniformidad del corte depende de diferentes variables. El tipo de material a cortar, el tipo y filo de la hoja, y la velocidad del corte contribuyen a la calidad.

Cuando se necesitan cortes más uniformes para molduras u otros trabajos de precisión, se debe usar una hoja afilada (60 dientes de carburo) y una velocidad de corte más lenta para lograr los resultados deseados.

Asegúrese de que el material no se deslice mientras lo corta; sujételo firmemente. Siempre espere a que la hoja se detenga por completo para levantar el brazo.

Si aun así se desprenden pequeñas fibras de la parte trasera de la pieza de trabajo, pegue un trozo de cinta adhesiva en la madera donde se realizará el corte. Corte con la sierra a través de la cinta y retírela con cuidado cuando termine.

FIG. 11

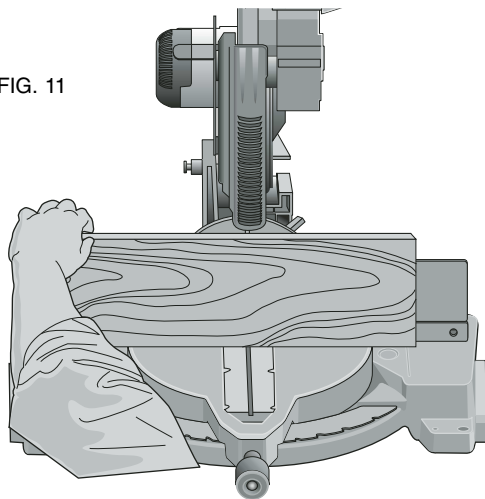


FIG. 12

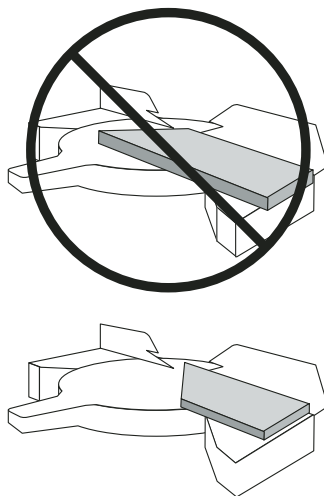
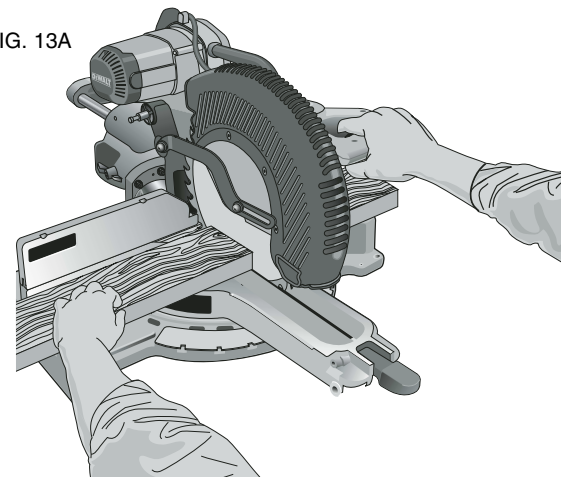
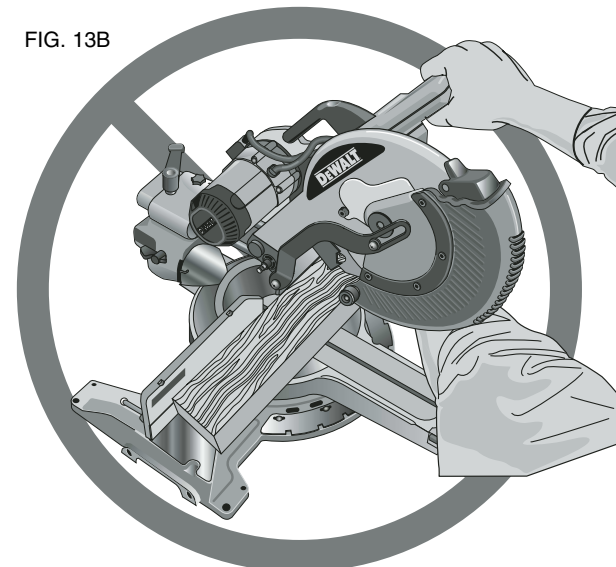


FIG. 13A



CORTE CORRECTO

FIG. 13B



CORTE INCORRECTO

Para diferentes aplicaciones de cortes, consulte la lista de hojas recomendadas para su sierra y elija la que más se adapte a sus necesidades (página 37).

POSICIÓN DEL CUERPO Y LAS MANOS (FIG. 13A)

La correcta posición del cuerpo y las manos mientras opera la sierra ingletadora ayudará a lograr cortes más fáciles, precisos y seguros. Nunca coloque las manos cerca del área de corte. No coloque las manos a menos de 152 mm (6") de distancia de la hoja. Sujete la pieza de trabajo fija a la mesa y al reborde mientras corta. Mantenga las manos en posición hasta que el disparador esté liberado y la hoja se haya detenido por completo. SIEMPRE ENSAYE (SIN CORRIENTE ELÉCTRICA) ANTES DE REALIZAR LOS CORTES, A FIN DE PODER CONTROLAR EL TRAYECTO DE LA HOJA. NO CRUCE LAS MANOS, COMO SE MUESTRA EN LA FIGURA 13B.

Mantenga ambos pies firmes sobre el piso y mantenga el equilibrio adecuado. Mientras usted mueve el brazo del inglete de izquierda a derecha, acompañelo y párese al costado de la hoja de la sierra. Observe a través de las rejillas protectoras cuando siga una línea de lápiz.

SUJECIÓN DE LA PIEZA DE TRABAJO

Apague y desenchufe la sierra.

Si no puede sujetar la pieza de trabajo con la mano sobre la mesa y contra el reborde, (forma irregular, etc.), o si su mano quedara a menos de 152 mm (6") de la hoja, debe utilizar una abrazadera u otro tipo de sujeción.

Para obtener mejores resultados, utilice la abrazadera DW7082 fabricada para usar con esta sierra. Es posible que se proporcione otro tipo de abrazadera con la DW718. Para comprar la DW7082, comuníquese con el comercio minorista de su localidad o con el centro de servicios DEWALT.

También pueden ser apropiados otros accesorios, como las abrazaderas de resorte, las abrazaderas de barra o las abrazaderas en C, según los diferentes tamaños y formas del material. Sea cuidadoso al elegir y colocar estas abrazaderas. Tómese el tiempo para ensayar el corte con la sierra apagada antes de realizarlo. El reborde izquierdo o derecho se deslizará de lado a lado para facilitar la sujeción.

PARA INSTALAR LA ABRAZADERA

1. Introdúzcala en el orificio detrás de la guía. La abrazadera debe estar mirando hacia la parte posterior de la sierra ingletadora. La ranura en la barra de la abrazadera debe estar completamente dentro de la base. Asegúrese de que esta ranura esté completamente dentro de la base de la sierra ingletadora. Si la ranura está visible, la abrazadera no estará segura.
2. Gire la abrazadera 180° hacia el frente de la sierra ingletadora.
3. Suelte la perilla para ajustar la abrazadera hacia arriba o abajo, luego, utilice la perilla fina ajustable para sostener con firmeza la pieza de trabajo con la abrazadera.

NOTA: Coloque la abrazadera en el lado opuesto de la base al realizar el biselado. SIEMPRE ENSAYE ANTES DE REALIZAR LOS CORTES (SIN CORRIENTE ELÉCTRICA) PARA COMPROBAR EL TRAYECTO DE LA HOJA. ASEGÚRESE DE QUE LA ABRAZADERA NO INTERFIERA CON LA ACCIÓN DE LA SIERRA O LOS PROTECTORES.

ADVERTENCIA: Una pieza de trabajo que está sujeta con la abrazadera, equilibrada y asegurada antes de realizar un corte puede desequilibrarse después de terminarlo. Una carga desequilibrada puede inclinar la sierra o cualquier objeto en el que esté instalada la sierra, como un banco o una mesa de trabajo. Al realizar un corte que puede desequilibrarse, sostenga adecuadamente la pieza de trabajo y asegúrese de que la sierra esté atornillada con firmeza a una superficie estable.

ADVERTENCIA: El pie de la abrazadera debe permanecer sujeto con la abrazadera por encima de la base de la sierra siempre que se utilice la abrazadera. Siempre sujete la pieza de trabajo con la abrazadera a la base de la sierra (no a cualquier otra pieza del área de trabajo). Asegúrese de que el pie de la abrazadera no quede sujeto al borde de la base de la sierra

SOPORTE DE PIEZAS LARGAS

Apague y desenchufe la sierra.

SIEMPRE UTILICE SOPORTES PARA LAS PIEZAS LARGAS.

FIG. 14

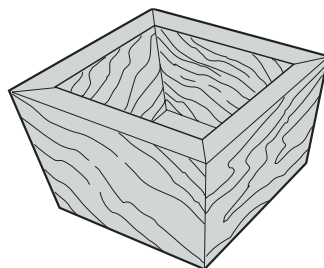


FIG. 15

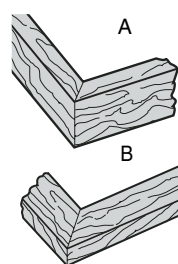
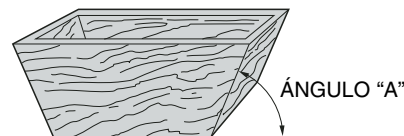


FIG. 16



Nunca ponga a otra persona como extensión del banco, como punto de apoyo adicional para una pieza de trabajo que es más larga o ancha que el banco básico de la sierra ingletadora, o para que lo ayude a cargar, sostener o empujar la pieza de trabajo.

Para obtener mejores resultados, utilice el soporte de extensión para ampliar el ancho de la mesa de la sierra. Puede conseguirlo en el comercio de su localidad a costo adicional. Utilice algún soporte conveniente para apoyar las piezas de trabajo largas, como los caballetes de aserrar u otro dispositivo similar, a fin de evitar que se caigan los extremos de la pieza.

CORTE DE MARCOS PARA FOTOS, CAJAS PARA EXHIBIR OBJETOS Y OTROS ELEMENTOS DE CUATRO LADOS

Para comprender mejor cómo se fabrican los elementos aquí enumerados, le sugerimos que intente con algunos proyectos simples, usando madera de descarte, hasta que se acostumbre y domine a la sierra.

La sierra es la herramienta perfecta para cortar esquinas a inglete, como la que se muestra en la Figura 14. El esquema A de la Figura 15 muestra un empalme hecho con la regulación de bisel para biselar los bordes de dos placas a 45 grados cada una y obtener una esquina a 90 grados. Para hacer este empalme, el brazo del inglete se bloqueó en la posición cero y la regulación de bisel se bloqueó a 45 grados. La madera se ubicó con el lado plano ancho contra la mesa y el borde angosto contra el reborde. El corte también se podría haber hecho cortando a inglete de derecha a izquierda, con la superficie ancha contra el reborde.

CORTE DE MOLDURAS DE TERMINACIÓN Y OTROS MARCOS

El esquema B de la figura 14 muestra un empalme realizado con la regulación del brazo de inglete a 45 grados, para

cortar a inglete las dos placas a fin de formar una esquina a 90 grados. Para hacer este tipo de empalme, fije la regulación del bisel en cero y el brazo de inglete a 45 grados. Nuevamente, ubique la madera con el lado plano ancho sobre la mesa y el borde angosto contra el reborde.

Los dos esquemas de la Figura 11 corresponden a objetos de cuatro lados.

Si cambia la cantidad de lados, también cambian los ángulos de bisel e inglete. El siguiente cuadro presenta los ángulos adecuados para diferentes formas.

(En el cuadro se presupone que todos los lados tienen la misma longitud). Para las formas que no figuran en el cuadro, utilice la siguiente fórmula: Divida 180 grados por la cantidad de lados y obtendrá el ángulo de inglete (si el material se corta en forma vertical) o bisel (si el material se corta en posición plana).

– EJEMPLOS –

CANTIDAD DE LADOS	ÁNGULO DE INGLETE O BISSEL
4	45°
5	36°
6	30°
7	25.7°
8	22.5°
9	20°
10	18°

CORTE DE INGLETES COMPUESTOS

Los ingletes compuestos son cortes que se realizan utilizando un ángulo de inglete y un ángulo de bisel en forma simultánea. Este tipo de corte se utiliza para hacer marcos o cajas con lados inclinados, como el que se muestra en la Figura 16.

NOTA: Si el ángulo de corte varía de corte en corte, controle que la perilla de fijación de bisel y la perilla de bloqueo de inglete estén bien apretadas. Estas perillas se deben apretar después de hacer cualquier cambio de bisel o inglete.

El cuadro de la página 48 le ayudará a elegir las regulaciones de bisel e inglete adecuadas para los cortes de ingletes compuestos. Para utilizar este cuadro, seleccione el ángulo deseado "A" (Figura 16) del proyecto y ubique ese ángulo en el arco apropiado del cuadro. Desde ese punto, siga el cuadro en línea recta hacia abajo hasta encontrar el ángulo de bisel correcto y en línea perpendicular, para encontrar el ángulo de inglete correcto.

Fije la sierra en los ángulos indicados y efectúe algunos cortes de prueba. Practique empalmado las piezas cortadas hasta que se familiarice con este procedimiento y se sienta cómodo.

Ejemplo: Para hacer una caja de cuatro lados con ángulos exteriores de 26 grados (Ángulo A, Figura 15), utilice el arco derecho superior. Busque 26 grados en la escala del arco. Siga la línea de intersección horizontal hacia cualquiera de los lados para obtener la regulación

del ángulo de inglete en la sierra (42°). De la misma manera, siga la línea de intersección vertical hacia la parte superior o inferior para obtener la regulación de ángulo de bisel en la sierra (18°). Siempre pruebe los cortes sobre algunas piezas de madera de descarte para verificar las regulaciones de la sierra.

CORTE DE MOLDURAS DE BASE

SIEMPRE ENSAYE CON LA SIERRA APAGADA ANTES DE REALIZAR CUALQUIER TIPO DE CORTE.

Cortes rectos de 90 grados:

Ubique la madera contra el reborde y sosténgala en posición, como se muestra en la Figura 11. Encienda la sierra, permita que la hoja alcance la velocidad máxima y baje el brazo suavemente a través del corte.

CORTE DE MOLDURAS DE BASE DE HASTA 165 MM (6,5") DE ALTURA EN FORMA VERTICAL CONTRA EL REBORDE

Ubique el material como se muestra en la Figura 11.

Todos los cortes se realizan con la parte posterior de la moldura contra el reborde y la parte inferior de la moldura contra la base.

ESQUINA INTERIOR:

Lado izquierdo

1. Inglete izquierdo a 45°
2. Conserve el lado izquierdo del corte

Lado derecho

1. Inglete derecho a 45°
2. Conserve el lado derecho del corte

ESQUINA EXTERNA:

Lado izquierdo

1. Inglete derecho a 45°
2. Conserve el lado izquierdo del corte

Lado derecho

1. Inglete izquierdo a 45°
2. Conserve el lado derecho del corte

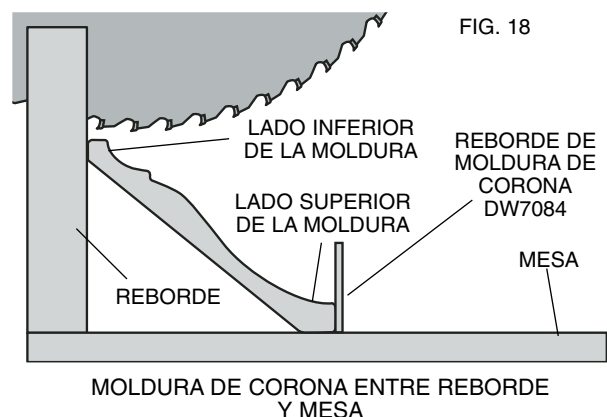
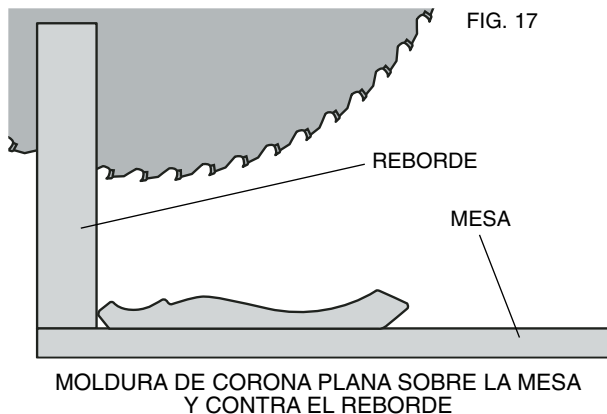
Para cortar materiales de hasta 159 mm (6,5"), siga la descripción anterior.

CORTE DE MOLDURAS DE CORONA

La sierra ingletadora es la herramienta más adecuada para las tareas de corte de molduras de corona. Para poder instalar adecuadamente las molduras de corona, los ingletes compuestos se deben regular con suma precisión.

Las dos superficies planas de una pieza de moldura de corona están en ángulos que, cuando se juntan, forman un ángulo de 90 grados exactos. La mayoría de las molduras de corona, aunque no todas, tienen un ángulo posterior superior (la sección que encaja plana contra el techo) a 52 grados y un ángulo posterior inferior (la parte que encaja plana contra la pared) a 38 grados.

La sierra ingletadora tiene puntos de cerrojo de inglete preestablecidos a 31,62 grados a la izquierda y derecha



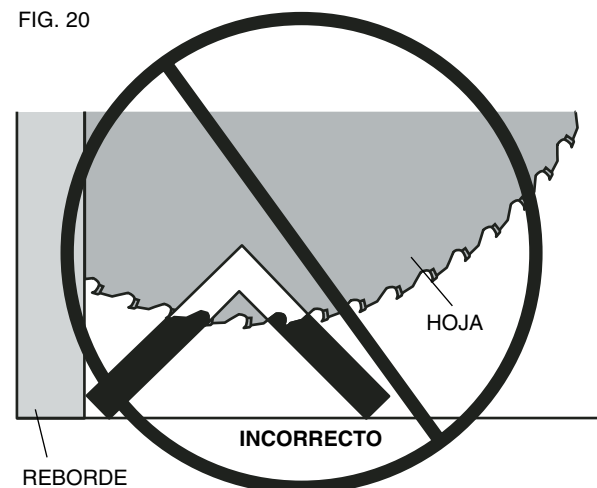
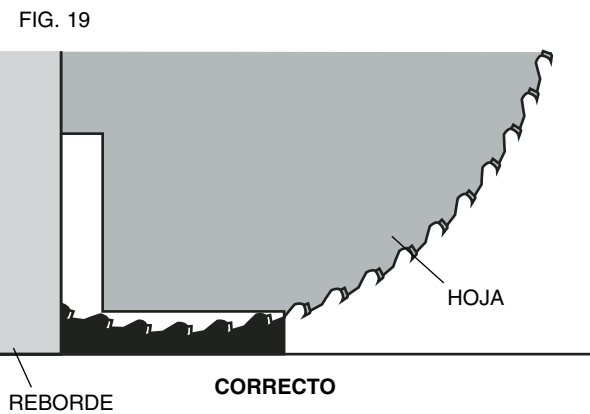
para cortes de molduras de corona del ángulo adecuado, y seguros de tope de bisel a 33,85 grados a la izquierda y derecha. También hay una marca en la escala de bisel a 33,85 grados.

El cuadro siguiente presenta las regulaciones adecuadas para los cortes de molduras de corona. (Los números de las regulaciones de inglete y bisel son muy precisos y no son fáciles de regular con precisión en la sierra.) Dado que la mayoría de las habitaciones no tienen ángulos exactos a 90 grados, deberá afinar las regulaciones de todos modos.

¡HACER PRUEBAS CON MATERIAL DE DESCARTE ES MUY IMPORTANTE!

INSTRUCCIONES PARA CORTAR MOLDURAS DE CORONA EN POSICIÓN PLANA Y USANDO LAS FUNCIONES COMPUESTAS

1. La moldura se coloca con la superficie ancha posterior hacia abajo plana sobre la mesa de la sierra (Figura 17).
2. Los siguientes ajustes corresponden a las molduras de corona estándar (EE.UU) con ángulos de 52 y 38 grados.



CONFIGURACIÓN DE BISEL	TIPO DE CORTE
33,85° izquierda	LADO IZQUIERDO, ESQUINA INTERIOR:
	1. Parte superior de la moldura contra el reborde 2. Mesa de inglete a 31,62° a la derecha 3. Conserve el extremo izquierdo del corte
33,85° derecha	LADO DERECHO, ESQUINA INTERIOR:
	1. Parte superior de la moldura contra el reborde. 2. Mesa de inglete a 31,62° izquierda 3. Conserve el extremo derecho del corte

	LADO IZQUIERDO, ESQUINA EXTERNA:
33,85° derecha	<ol style="list-style-type: none"> 1. Parte superior de la moldura contra el reborde. 2. Mesa de inglete a 31,62° izquierda 3. Conserve el extremo izquierdo del corte

	LADO DERECHO, ESQUINA EXTERIOR:
33,85° izquierda	<ol style="list-style-type: none"> 1. Parte superior de la moldura contra el reborde 2. Mesa de inglete a 31,62° a la derecha 3. Conserve el extremo derecho del corte

Cuando fije los ángulos de bisel e inglete para todos los ingletes compuestos, recuerde que:

Los ángulos presentados para las molduras de corona son muy precisos y difíciles de fijar con exactitud. Dado que los ángulos se pueden alterar con facilidad, y dado que pocas habitaciones forman esquinas en escuadra exacta, todos los ajustes deben probarse en molduras de descarte.

¡HACER PRUEBAS CON MATERIAL DE DESCARTE ES MUY IMPORTANTE!

MÉTODO ALTERNATIVO PARA CORTAR MOLDURAS DE CORONA

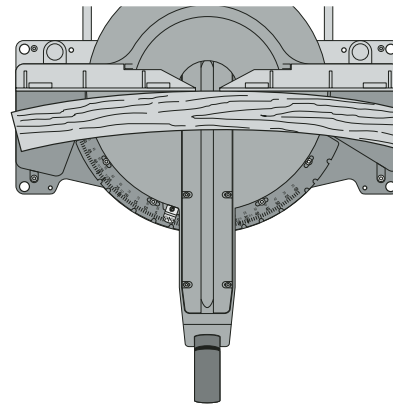
Coloque la moldura sobre la mesa en ángulo entre el reborde y la mesa de la sierra, como se muestra en la Figura 18. Se recomienda utilizar el accesorio de reborde para moldura (DW7084), por su grado de precisión y comodidad. Puede comprar el accesorio de reborde para molduras de corona en el distribuidor de su localidad.

La ventaja de cortar molduras de corona con este método es que no requiere ningún corte biselado. Se pueden realizar cambios minuciosos en el ángulo del inglete sin afectar el ángulo de bisel. De esta forma, cuando se encuentran esquinas que no tienen 90 grados, la sierra se puede regular rápida y fácilmente. Utilice el accesorio de reborde para molduras de corona para mantener el ángulo en el que estará la moldura sobre la pared.

INSTRUCCIONES PARA CORTES DE MOLDURAS DE CORONA CON ÁNGULO ENTRE EL REBORDE Y LA BASE DE LA SIERRA PARA TODOS LOS CORTES:

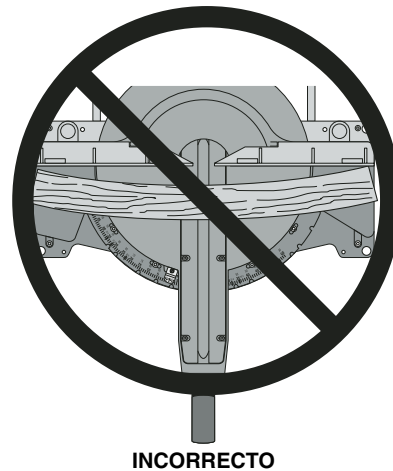
1. Coloque en ángulo la moldura de manera que la parte inferior de la moldura (la que va contra la pared cuando está instalada) quede contra el reborde y la parte superior de la moldura se apoye sobre la base de la sierra, como se muestra en la Figura 18.
2. Las "partes planas" anguladas de la parte posterior de la moldura deben apoyarse en escuadra sobre el reborde y la base de la sierra.

FIG. 21



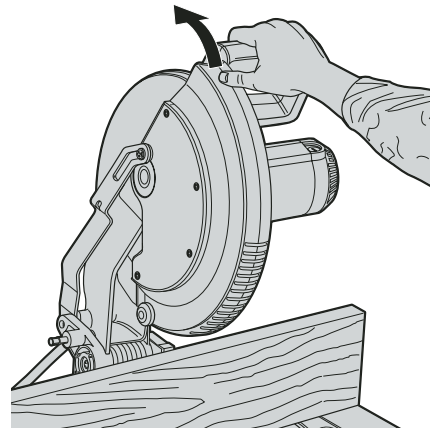
CORRECTO

FIG. 22



INCORRECTO

FIG. 23



ESQUINA INTERIOR:

Lado izquierdo

1. Inglete derecho a 45°
2. Conserve el lado derecho del corte

Lado derecho

1. Inglete izquierdo a 45°
2. Conserve el lado izquierdo del corte

ESQUINA EXTERNA:

Lado izquierdo

1. Inglete izquierdo a 45°
2. Conserve el lado derecho del corte

Lado derecho

1. Inglete derecho a 45°
2. Conserve el lado izquierdo del corte

Cortes especiales

NUNCA REALICE CORTES SIN QUE EL MATERIAL ESTÉ BIEN SUJETO A LA MESA Y CONTRA EL REBORDE.

CORTE DE ALUMINIO

UTILICE SIEMPRE HOJAS DE SIERRA ADECUADAS, FABRICADAS ESPECÍFICAMENTE PARA CORTAR ALUMINIO. Las puede conseguir en el comercio minorista DEWALT de su localidad o en el centro de servicios DEWALT. Determinadas piezas de trabajo, debido a su tamaño, forma o acabado de superficie pueden requerir el uso de una abrazadera o sujeción para evitar movimientos durante el corte. Ubique al material de manera de cortar la sección más delgada, como se muestra en la Figura 19. La Figura 20 muestra la forma incorrecta de cortar estas extrusiones. Utilice un lubricante de corte de cera en barra cuando corte aluminio. Aplique el lubricante de corte de cera en barra directamente en la hoja de la sierra antes de cortar. Nunca aplique cera en barra en una hoja en movimiento.

La cera, disponible en la mayoría de las ferreterías y en los comercios de abastecimiento para talleres industriales, ofrece la lubricación adecuada y evita que las rebabas se adhieran a la hoja.

Asegúrese de sujetar bien la pieza de trabajo en forma adecuada. En la página 37 encontrará la hoja de sierra correcta.

MATERIAL CURVADO

Cuando corte material curvado, siempre colóquelo como se muestra en la Figura 21 y nunca como se muestra en la Figura 22. La colocación incorrecta del material puede provocar que se pellizque la hoja cerca de la finalización del corte.

CORTES DE CAÑOS PLÁSTICOS U OTROS MATERIALES REDONDOS

Los caños de plástico se pueden cortar fácilmente con la sierra. **SE CORTAN COMO MADERA Y SE SUJETAN O**

SOSTIENEN FIRMEMENTE AL REBORDE PARA EVITAR QUE RUEDEN. Esto es muy importante cuando se realizan cortes en ángulo.

CORTE DE MATERIALES GRANDES

Puede ocurrir que usted deba cortar una pieza de madera demasiado grande y que no entre debajo del protector de la hoja. De ser así, simplemente coloque su pulgar derecho en la parte superior del protector y enróllelo hacia arriba lo suficiente para despejar la pieza de trabajo según se muestra en la Figura 23. Evite hacer esto con demasiada frecuencia, pero si es necesario, la sierra funcionará correctamente y realizará el corte más grande. **NUNCA ATE, COLOQUE CINTA O MANTENGA ABIERTO EL PROTECTOR MIENTRAS OPERA ESTA SIERRA.**

CONFIGURACIÓN ESPECIAL PARA CORTES TRANSVERSALES ANCHOS

La sierra puede cortar piezas de trabajo muy anchas (de hasta 406 mm [16"]) cuando se utiliza una configuración especial. Para configurar la sierra para cortar estas piezas de trabajo, siga los siguientes pasos:

1. Retire ambos rebordes deslizantes, izquierdo y derecho, de la sierra y déjelos a un lado. Para retirarlos, desenrosque las perillas del reborde varias veces y deslice cada reborde hacia fuera. Ajuste y bloquee el control de inglete de manera tal que quede a 0 grado de inglete.
2. Realice una plataforma usando una pieza de 38 mm (1,5") de espesor de una placa de partículas o madera espesa similar plana y fuerte de 38 mm, con las siguientes dimensiones: 368 x 660 mm (14,5"x 26"). La plataforma debe ser plana, de lo contrario el material se podría mover durante el corte y provocar lesiones.
3. Monte la plataforma de 368 x 660 mm en la sierra usando cuatro tornillos para madera de tres pulgadas de largo a través de los orificios en el reborde de la base (Fig. 24). Se deben usar cuatro tornillos para sujetar adecuadamente el material. Cuando se utiliza la configuración especial, la plataforma se cortará en dos piezas. Asegúrese de que los tornillos estén ajustados adecuadamente, de lo contrario el material se aflojará y podría provocar lesiones. Asegúrese de que la plataforma sea plana y esté firme sobre la mesa, contra el reborde y centrada en forma pareja de izquierda a derecha.

⚠ ADVERTENCIA: Asegúrese de que la sierra esté montada firmemente en una superficie plana estable. De lo contrario, la sierra quedaría inestable y se podría caer, provocando lesiones personales.

4. Coloque la pieza de trabajo a ser cortada sobre la plataforma montada en la mesa. Asegúrese de que la pieza de trabajo esté firme contra el reborde posterior (Fig. 25).
5. Sujete el material antes de cortar. Corte el material lentamente, empleando un movimiento hacia fuera,

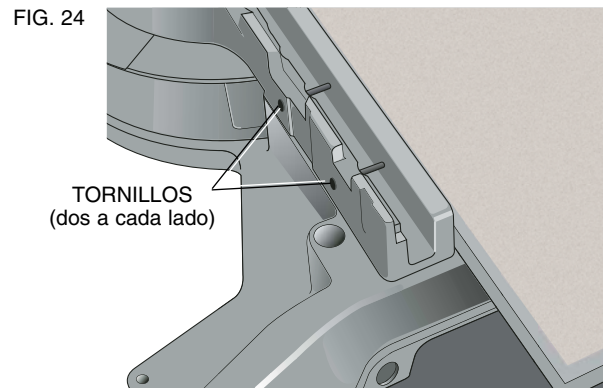


FIG. 26

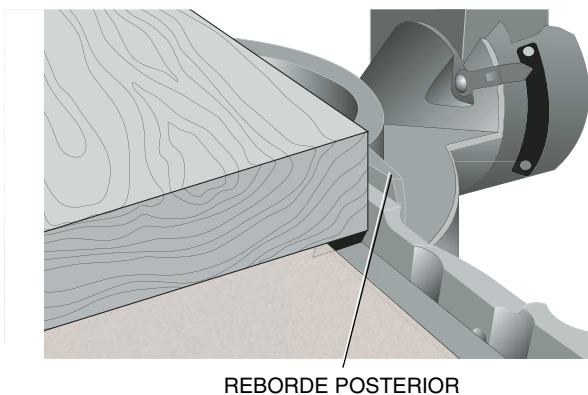
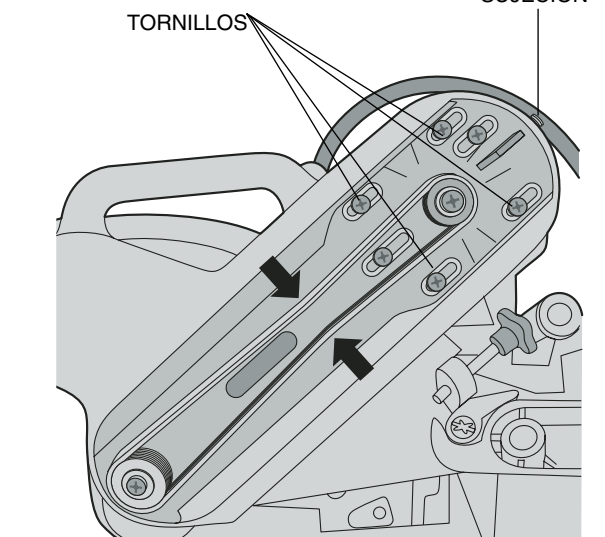


FIG. 26



abajo y hacia atrás. Si el material no está bien sujeto o si no se corta lentamente, se podría aflojar y provocar lesiones.

Una vez que se han hecho varios cortes en otros ángulos de inglete diferentes a 0 grado, la plataforma puede aflojarse y no soportar adecuadamente el trabajo. Instale una nueva plataforma sin uso en la sierra después de predefinir el ángulo de inglete necesario.

⚠ PRECAUCIÓN: El uso continuado de una plataforma con varios cortes podría resultar en la pérdida del control del material y en posibles lesiones.

Retiro y reemplazo de la correa

La correa está diseñada para durar toda la vida útil de la herramienta. Sin embargo, el abuso de la herramienta podría provocar que falle la correa.

Si la hoja no se activa cuando el motor está funcionando, significa que la correa no funciona. Para inspeccionar o reemplazar la correa, retire los tornillos de la cubierta de la correa. Retire la cubierta de la correa. Inspeccione las costillas de la correa para ver si están desgastadas o fallan. Controle la tensión de la correa apretándola como se muestra en la Figura 26. Las mitades de la correa deberían casi tocarse cuando se las aprieta firmemente con el pulgar y el índice. Para ajustar la tensión, afloje, pero no retire, los cuatro tornillos con cabeza Phillips. Luego rote el tornillo de sujeción que está en la parte superior de la placa del motor hasta lograr la tensión adecuada. Apriete los cuatro tornillos firmemente y reemplace la cubierta de la correa.

NOTA: Si la correa está excesivamente ajustada, puede provocar la falla prematura del motor.

Mantenimiento

1. Todos los rodamientos están sellados. Están lubricados de por vida y no necesitan más mantenimiento.
2. Regularmente quite el polvo y las astillas de madera de alrededor Y DEBAJO de la base y la mesa giratoria. Si bien hay ranuras para permitir que pasen los residuos, siempre se acumula algo de polvo.
3. Los cepillos están diseñados para durar varios años. Si alguna vez los tiene que reemplazar, siga las instrucciones que se brindan en la página 41 o lleve la herramienta a reparar al centro de servicios más cercano. En el embalaje de la herramienta encontrará el listado de los centros de servicio y sus direcciones.

Reparaciones

Para garantizar la SEGURIDAD y la CONFIABILIDAD, deberán hacerse reparaciones, mantenimiento y ajustes de esta herramienta en los centros autorizados de servicio DEWALT u otras organizaciones autorizadas. Estas organizaciones prestan servicio a las herramientas DEWALT y emplean siempre refacciones legítimas DEWALT.

Póliza de Garantía

IDENTIFICACIÓN DEL PRODUCTO:

Sello o firma del Distribuidor.

Nombre del producto: _____ Mod./Cat.: _____

Marca: _____ Núm. de serie: _____

(Datos para ser llenados por el distribuidor)

Fecha de compra y/o entrega del producto: _____

Nombre y domicilio del distribuidor donde se adquirió el producto: _____

Este producto está garantizado por un año a partir de la fecha de entrega, contra cualquier defecto en su funcionamiento, así como en materiales y mano de obra empleados para su fabricación. Nuestra garantía incluye la reparación o reposición del producto y/o componentes sin cargo alguno para el cliente, incluyendo mano de obra, así como los gastos de transportación razonablemente erogados derivados del cumplimiento de este certificado.

Para hacer efectiva esta garantía deberá presentar su herramienta y esta póliza sellada por el establecimiento comercial donde se adquirió el producto, de no contar con ésta, bastará la factura de compra.

EXCEPCIONES.

Esta garantía no será válida en los siguientes casos:

- Cuando el producto se hubiese utilizado en condiciones distintas a las normales;
- Cuando el producto no hubiese sido operado de acuerdo con el instructivo de uso que se acompaña;
- Cuando el producto hubiese sido alterado o reparado por personas distintas a las enlistadas al final de este certificado.

Anexo encontrará una relación de sucursales de servicio de fábrica, centros de servicio autorizados y franquiciados en la República Mexicana, donde podrá hacer efectiva su garantía y adquirir partes, refacciones y accesorios originales.

Garantía limitada de tres años

DEWALT reparará sin cargo cualquier defecto ocasionado por materiales defectuosos o mano de obra, durante tres años a partir de la fecha de compra. Esta garantía no cubre fallas en las piezas que resulten del desgaste normal de la herramienta o de su utilización inadecuada. Para obtener más detalles acerca de la cobertura de la garantía e información sobre reparaciones, visite nuestra página web www.dewalt.com o llame al 1-800-4-DEWALT (1-800-433-9258). Esta garantía no se extiende a los accesorios o los daños causados por terceros al intentar realizar reparaciones. Esta garantía le concede derechos legales específicos; usted goza también de otros derechos que varían según el estado o provincia.

Además de la garantía, las herramientas DEWALT están cubiertas por nuestro:

SERVICIO GRATUITO DE UN AÑO

DEWALT realiza el mantenimiento de la herramienta y reemplaza las piezas gastadas tras el uso normal, sin costo alguno, en cualquier momento durante el primer año después de la compra.

GARANTÍA DE REEMBOLSO DE DINERO DE 90 DÍAS

Si por alguna razón no estuviera plenamente satisfecho con el rendimiento de la herramienta eléctrica, el láser o la clavadora DEWALT, no tiene más que devolverlo dentro de los 90 días siguientes a la fecha de compra acompañado de un recibo. De esta manera, se le reintegrará el importe total del producto sin formularle pregunta alguna.

PRODUCTO REACONDICIONADO: Los productos reacondicionados están cubiertos por la Garantía de servicio gratuito de un año. La Garantía de reembolso de dinero de 90 días y la Garantía limitada de tres años no se extienden a los productos reacondicionados.

REEMPLAZO GRATUITO DE LAS ETIQUETAS DE ADVERTENCIAS: Si sus etiquetas de advertencia están ilegibles o se pierden, llame al 1-800-4-DEWALT para obtener etiquetas de reemplazo sin costo alguno.

Notificación de patente

Fabricado debajo de una o más de las patentes siguientes de los Estados Unidos.:

6,823,765	6,101,914	5,907,987	5,375,495
6,810,780	6,035,754	5,862,734	5,285,708
6,520,059,	6,032,563	5,582,089	5,199,343

Puede haber otras patentes pendientes.

Especificaciones

DW718	
Tensión de alimentación :	120 V AC ~
Consumo de corriente :	15 A
Frecuencia de alimentación :	60 Hz
Potencia de entrada :	1 600W
Rotación sin carga:	3 600/min

IMPORTADOR: DEWALT S.A. DE C.V.
BOSQUES DE CIDROS ACCESO RADIATAS NO. 42
COL. BOSQUES DE LAS LOMAS, 3A. SECCIÓN, CP 05120
DELEGACIÓN CUAJIMALPA, MÉXICO, D.F.
TEL. 5 326 7100
R.F.C.: BDE810626-1W7

Para servicio y ventas consulte
"HERRAMIENTAS ELÉCTRICAS"
en la sección amarilla.



PARA REPARACIÓN Y SERVICIO DE SUS HERRAMIENTAS ELÉCTRICAS, FAVOR DE DIRIGIRSE AL CENTRO DE SERVICIO MÁS CERCANO

CULIACAN, SIN

Av. Nicolás Bravo #1063 Sur
Col. Industrial Bravo (667) 7 12 42 11

GUADALAJARA, JAL

Av. La Paz #1779
Col. Americana Sector Juárez (33) 3825 6978

MEXICO, D.F.

Eje Central Lázaro Cárdenas No. 18
Local D, Col. Obrera (55) 5588 9377

MERIDA, YUC

Calle 63 #459-A
Col. Centro (999) 928 5038

MONTERREY, N.L.

Av. Francisco I. Madero No.83
Col. Centro (81) 8375 2313

PUEBLA, PUE

17 Norte #205
Col. Centro (222) 246 3714

QUERETARO, QRO

Av. Madero 139 Pte.
Col. Centro (442) 214 1660

SAN LUIS POTOSI, SLP

Av. Universidad 1525
Col. San Luis (444) 814 2383

TORREON, COAH

Blvd. Independencia, 96 Pte.
Col. Centro (871) 716 5265

VERACRUZ, VER

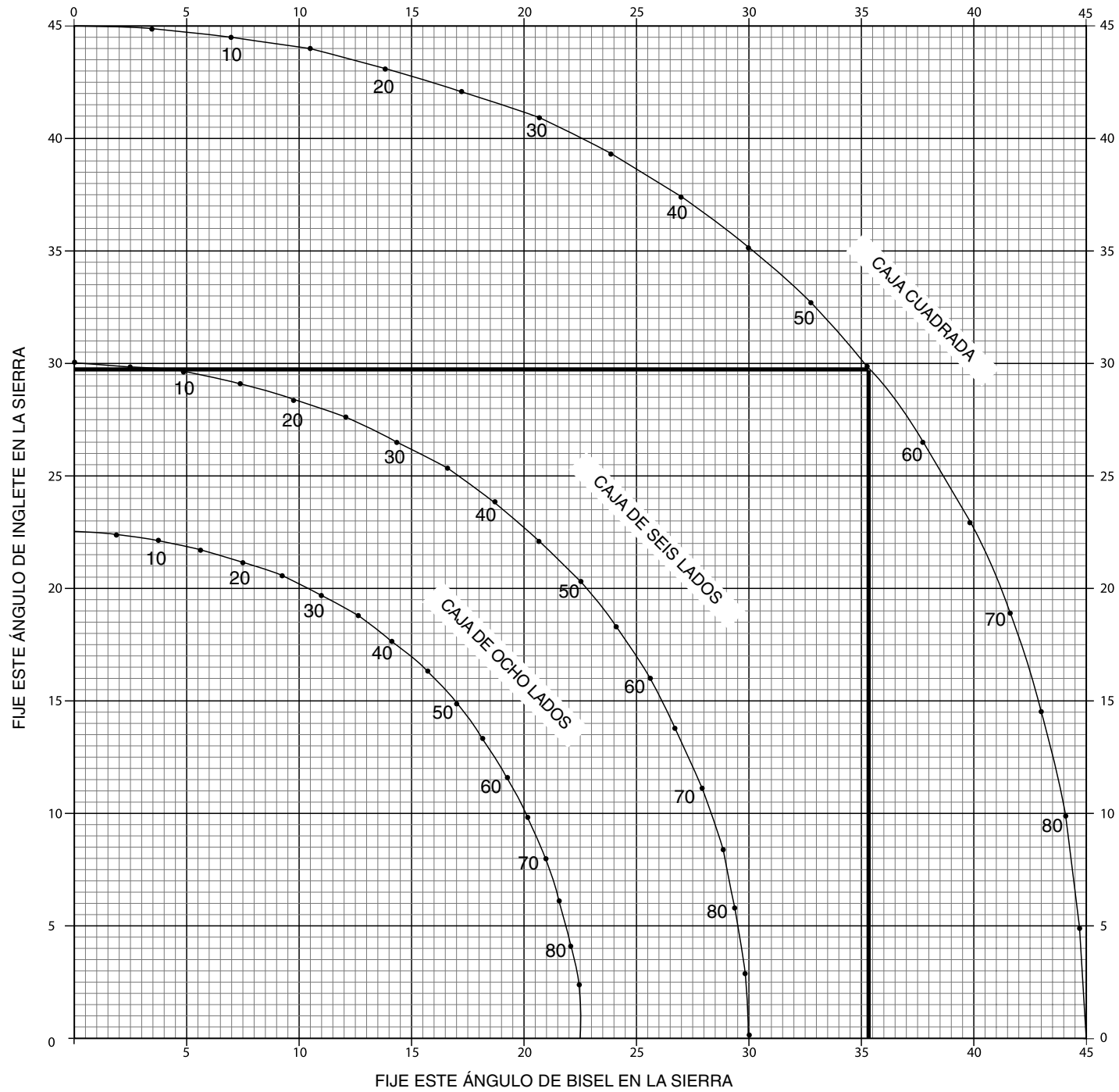
Prolongación Díaz Mirón #4280
Col. Remes (229) 921 7016

VILLAHERMOSA, TAB

Constitución 516-A
Col. Centro (993) 312 5111

**PARA OTRAS LOCALIDADES LLAME AL:
(55) 5326 7100**

TABLA 1 CORTE DE INGLETE COMPUESTO (Ubique la madera con el lado plano ancho sobre la mesa y el borde angosto contra el reborde.)



Guía para solucionar problemas

ASEGÚRESE DE SEGUIR LAS REGLAS E INSTRUCCIONES DE SEGURIDAD

PROBLEMA: LA SIERRA NO SE ENCIENDE

¿QUÉ SUCEDE?

1. La sierra no está enchufada
2. Fusible quemado o interruptor automático activado
3. Cable dañado
4. Cepillos gastados

QUÉ HACER...

1. Enchufe la sierra
2. Reemplace el fusible o reinicie el interruptor automático
3. Haga cambiar el cable por el centro de mantenimiento autorizado
4. Haga reemplazar los cepillos por el centro de mantenimiento autorizado o reemplácelos usted mismo como se indica en la página 40.

PROBLEMA: LA SIERRA REALIZA CORTES NO SATISFACTORIOS

¿QUÉ SUCEDE?

1. Hoja sin filo
2. Hoja montada al revés
3. Depósitos de goma o grumos de resina sobre la hoja
4. Hoja incorrecta para el trabajo que se realiza

QUÉ HACER...

1. Reemplace la hoja. Consulte la página 38.
2. Vire la hoja. Consulte la página 38.
3. Retire la hoja y límpiela con aguarrás y lana de acero gruesa o limpiador para hornos hogareños.
4. Cambie el tipo de hoja. Consulte la página 37.

PROBLEMA: LA HOJA NO ALCANZA VELOCIDAD

¿QUÉ SUCEDE?

1. Cable prolongador demasiado liviano o demasiado largo
2. Baja corriente en el hogar

QUÉ HACER...

1. Reemplácelo por un cable de tamaño adecuado. Consulte la página 34.
2. Comuníquese con la empresa de energía eléctrica.

PROBLEMA: LA MÁQUINA VIBRA EXCESIVAMENTE

¿QUÉ SUCEDE?

1. La sierra no está montada firmemente en el soporte o banco de trabajo
2. El soporte o el banco están sobre un piso desparejo
3. Hoja de sierra dañada

QUÉ HACER...

1. Apriete todos los tornillos de montaje. Consulte la página 37.
2. Reubique sobre una superficie de nivel plano. Consulte la página 37.
3. Reemplace la hoja. Consulte la página 36.

PROBLEMA: NO REALIZA CORTES DE INGLETE PRECISOS

¿QUÉ SUCEDE?

1. La escala de inglete no está correctamente regulada
2. La hoja no está en escuadra con el reborde
3. La hoja no está perpendicular a la mesa
4. La pieza de trabajo se mueve

QUÉ HACER...

1. Verifique y regule Consulte la página 38.
2. Verifique y regule Consulte la página 38.
3. Verifique y ajuste el reborde. Consulte la página 39.
4. Sujete la pieza de trabajo al reborde o engome un papel de lija de 120 al reborde con cemento para caucho.

PROBLEMA: EL MATERIAL MUERDE LA HOJA

¿QUÉ SUCEDE?

1. Cortes de material curvado

QUÉ HACER...

1. Posicione el material curvado como se muestra en la página 45.

DEWALT Industrial Tool Co., 701 East Joppa Road, Baltimore, MD 21286 (MAY05)
Copyright © 2005 DEWALT

Form No. 624517-00

DW718

The following are trademarks for one or more DEWALT power tools: the yellow and black color scheme; the “D” shaped air intake grill; the array of pyramids on the handgrip; the kit box configuration; and the array of lozenge-shaped humps on the surface of the tool.