

**Before returning this product call**

**1-800-4-DEWALT**

IF YOU SHOULD EXPERIENCE A PROBLEM WITH YOUR DEWALT PURCHASE,

**CALL 1-800-4 DEWALT**

IN MOST CASES, A DEWALT REPRESENTATIVE CAN RESOLVE YOUR PROBLEM OVER THE PHONE.

IF YOU HAVE A SUGGESTION OR COMMENT, GIVE US A CALL. YOUR FEEDBACK IS VITAL TO THE SUCCESS OF DEWALT'S QUALITY IMPROVEMENT PROGRAM.

***Questions? See us on the World Wide Web at [www.dewalt.com](http://www.dewalt.com)***

**INSTRUCTION MANUAL  
GUIDE D'UTILISATION  
MANUAL DE INSTRUCCIONES**

INSTRUCTIVO DE OPERACIÓN, CENTROS DE SERVICIO Y PÓLIZA DE GARANTÍA. **ADVERTENCIA:** LÉASE ESTE INSTRUCTIVO ANTES DE USAR EL PRODUCTO.

**DEWALT®**

**DW716 (120 Volt), DW716 (230 Volt)**

**12" Double Bevel Compound Miter Saw**

**Scie coulissante à onglets mixtes, 305 mm (12 po)**

**Sierra ingletadora compuesta de doble bisel de 305 mm (12")**

**TABLE OF CONTENTS**

DOUBLE INSULATION/POLARIZED PLUG INSTRUCTIONS.....	2	CONTROLS .....	8
SAFETY INSTRUCTIONS FOR ALL TOOLS .....	2	OPERATION .....	9
ADDITIONAL SAFETY RULES.....	2	SWITCH.....	9
ELECTRICAL CONNECTION .....	3	CUTTING WITH YOUR SAW .....	9
ACCESSORIES .....	3	CROSSCUTS.....	9
BLADE DESCRIPTIONS .....	4	BEVEL CUTS .....	9
UNPACKING YOUR SAW .....	4	QUALITY OF CUT .....	9
SPECIFICATIONS .....	4	BODY AND HAND POSITION .....	9
FAMILIARIZATION .....	5	CLAMPING THE WORKPIECE .....	10
BENCH MOUNTING .....	5	SUPPORT FOR LONG PIECES.....	10
CHANGING OR INSTALLING A NEW BLADE .....	6	CUTTING PICTURE FRAMES, SHADOW BOXES AND OTHER FOUR-SIDED PROJECTS.....	10
TRANSPORTING THE SAW .....	6	CUTTING TRIM MOLDING AND OTHER FRAMES .....	10
ADJUSTMENTS .....	6	CUTTING COMPOUND MITERS.....	10
MITER SCALE ADJUSTMENT .....	7	VERNIER SCALE .....	10
MITER POINTER ADJUSTMENT.....	7	CUTTING BASE MOLDING .....	11
BEVEL SQUARE TO TABLE .....	7	CUTTING CROWN MOLDING .....	11
BEVEL POINTER .....	7	SPECIAL CUTS .....	12
BEVEL STOP ADJUSTMENT .....	7	REMOVING AND REPLACING THE BELT .....	13
FENCE ADJUSTMENT.....	7	MAINTENANCE .....	13
AUXILIARY FENCE.....	7	WARRANTY .....	13
AUTOMATIC ELECTRIC BRAKE .....	7	TROUBLESHOOTING GUIDE.....	14
GUARD ACTUATION AND VISIBILITY .....	8	TABLE 1: COMPOUND MITER CUT .....	15
MITER LOCK ADJUSTMENT .....	8		
BRUSHES .....	8		

IF YOU HAVE ANY QUESTIONS OR COMMENTS ABOUT THIS OR ANY DeWALT TOOL, CALL US TOLL FREE AT: **1-800-4-DeWALT (1-800-433-9258)**

## Important Safety Instructions



**WARNING:** When using electric tools, basic safety precautions should always be followed to reduce risk of fire, electric shock, and personal injury, including the following:

### READ ALL INSTRUCTIONS

#### Double Insulation

Double insulated tools are constructed throughout with two separate layers of electrical insulation or one double thickness of insulation between you and the tool's electrical system. Tools built with this insulation system are not intended to be grounded. As a result, your tool is equipped with a two prong plug which permits you to use extension cords without concern for maintaining a ground connection.

**NOTE:** Double insulation does not take the place of normal safety precautions when operating this tool. The insulation system is for added protection against injury resulting from a possible electrical insulation failure within the tool.

**CAUTION:** WHEN SERVICING USE ONLY IDENTICAL REPLACEMENT PARTS. Repair or replace damaged cords.

#### Polarized Plugs

Polarized plugs (one blade is wider than the other) are used on equipment to reduce the risk of electric shock. When provided, this plug will fit in the polarized outlet only one way. If the plug does not fit fully in the outlet, reverse the plug. If it still does not fit, contact a qualified electrician to install the proper outlet. Do not change the plug in any way.

#### Safety Instructions For All Tools

- **KEEP GUARD IN PLACE** and in working order.
- **REMOVE ADJUSTING KEYS AND WRENCHES.** Form habit of checking to see that keys and adjusting wrenches are removed from spindle before turning tool on.
- **KEEP WORK AREA CLEAN.** Cluttered areas and benches invite accidents.
- **DON'T USE IN DANGEROUS ENVIRONMENT.** Don't use power tools in damp or wet locations, or expose them to rain or snow. Keep work area well lighted.
- **KEEP CHILDREN AWAY.** All visitors should be kept at a safe distance from work area.
- **MAKE WORKSHOP KID PROOF** with padlocks, master switches, or by removing starter keys.
- **DON'T FORCE TOOL.** It will do the job better and be safer at the rate for which it was designed.
- **USE RIGHT TOOL.** Don't force tool or attachment to do a job for which it was not designed.
- **WEAR PROPER APPAREL.** No loose clothing, gloves, neckties, rings, bracelets, or other jewelry to get caught in moving parts. Non-slip footwear is recommended. Wear protective hair covering to contain long hair. Air vents may cover moving parts and should also be avoided.
- **ALWAYS WEAR SAFETY GLASSES.** Also use face or dust mask if cutting operation is dusty. Everyday glasses have only impact resistant lenses, they are NOT safety glasses. All users and bystanders must wear eye protection that conforms to ANSI Z87.1. (CAN/CSA Z94.3)
- **SECURE WORK.** Use clamps or vise when you cannot secure the workpiece on the table and against the fence by hand or when your hand will be dangerously close to the blade (within 6").
- **DON'T OVERREACH.** Keep proper footing and balance at all times.
- **MAINTAIN TOOLS WITH CARE.** Keep tools sharp and clean for best and safest performance. Follow instructions for lubricating and changing accessories.

- **DISCONNECT TOOLS** before servicing; when changing accessories such as blades, bits, cutters, etc.
- **REDUCE THE RISK OF UNINTENTIONAL STARTING.** Make sure switch is in OFF position before plugging in.
- **USE RECOMMENDED ACCESSORIES.** Consult the instruction manual for recommended accessories. The use of improper accessories may cause risk of injury to persons.
- **NEVER STAND ON TOOL.** Serious injury could occur if the tool is tipped or if the cutting tool is unintentionally contacted.
- **CHECK DAMAGED PARTS.** Before further use of the tool, a guard or other part that is damaged should be carefully checked to determine that it will operate properly and perform its intended function—check for alignment of moving parts, binding of moving parts, breakage of parts, mounting and any other conditions that may affect its operation. A guard or other part that is damaged should be properly repaired or replaced. Do not use tool if switch does not turn it on and off.
- **NEVER LEAVE TOOL RUNNING UNATTENDED. TURN POWER OFF.** Don't leave tool until it comes to a complete stop.
- **DO NOT OPERATE ELECTRIC TOOLS NEAR FLAMMABLE LIQUIDS OR IN GASEOUS OR EXPLOSIVE ATMOSPHERES.** Motors in these tools may spark and ignite fumes.
- **EXTENSION CORDS.** Make sure your extension cord is in good condition. When using an extension cord, be sure to use one heavy enough to carry the current your product will draw. An undersized cord will cause a drop in line voltage resulting in loss of power and overheating. The following table shows the correct size to use depending on cord length and nameplate ampere rating. If in doubt, use the next heavier gage. The smaller the gage number, the heavier the cord.

Minimum Gage for Cord Sets

Volts	Total Length of Cord in Feet			
120V	0-25	26-50	51-100	101-150
240V	0-50	51-100	101-200	201-300
Ampere Rating	More Than			
More Than	AWG			
0 - 6	18	16	16	14
6 - 10	18	16	14	12
10 - 12	16	16	14	12
12 - 16	14	12	Not Recommended	

#### Additional Safety Rules For Miter Saws

**CAUTION:** FAILURE TO HEED THESE WARNINGS MAY RESULT IN PERSONAL INJURY AND SERIOUS DAMAGE TO THE SAW.

- DO - Protect electric supply line with at least a 15 ampere time-delay fuse or a circuit breaker.
- DO - Make certain the blade rotates in the correct direction and that the teeth at the bottom of the blade are pointing to the rear of the miter saw.
- DO - Be sure all clamp handles are tight before starting any operation.
- DO - Be sure all blade and clamp washers are clean and recessed sides of collars are against blade. Tighten arbor screw securely.
- DO - Keep saw blade sharp.
- DO - Keep motor air slots free of chips and dirt.
- DO - Use blade guards at all times.
- DO - Keep hands out of path of saw blade.
- DO - Shut off power, disconnect cord from power source and wait for saw blade to stop before servicing or adjusting tool.
- DO - Support long work with an outboard tool rest.

- DON'T - Attempt to operate on anything but designated voltage.
- DON'T - Operate unless all clamp handles are tight.
- DON'T - Use blades larger or smaller than those which are recommended.
- DON'T - Wedge anything against fan to hold motor shaft.
- DON'T - Force cutting action. (Stalling or partial stalling of motor can cause major damage. Allow motor to reach full speed before cutting.)
- DON'T - Cut ferrous metals (Those with any iron or steel content) or any masonry.
- DON'T - Use abrasive wheels. The excessive heat and abrasive particles generated by them will damage the saw.
- DON'T - Allow anyone to stand behind saw.
- DON'T - Apply lubricants to the blade when it's running.
- DON'T - Place either hand in the blade area when the saw is connected to the power source.
- DON'T - Use blades rated less than 4800 R.P.M.
- DO NOT - Cut small pieces without clamping. Keep hands 6" or more from blade.
- DON'T - Operate saw without guards in place.
- DON'T - Perform any operation freehand.
- DON'T - Reach around or behind saw blade.
- DON'T - Place hands closer than 6 inches from the saw blade.
- DO NOT - Reach underneath the saw unless it is turned off and unplugged. The saw blade is exposed on the underside of the saw.
- DO NOT - Move either hand from saw or workpiece or raise arm until blade has stopped.
- DO NOT - Use lubricants or cleaners (particularly spray or aerosol) in the vicinity of the plastic guard. The polycarbonate material used in the guard is subject to attack by certain chemicals.
- Never use without kerf plate, and replace when kerf plate is damaged because small chip accumulation under saw may interfere with saw blade or may cause instability of workpiece when cutting.

**▲ CAUTION:** Do not connect unit to electrical power source until complete instructions are read and understood.

**▲ CAUTION:** Wear appropriate personal hearing protection during use. Under some conditions and duration of use, noise from this product may contribute to hearing loss.

**▲ WARNING:** Some dust created by power sanding, sawing, grinding, drilling, and other construction activities contains chemicals known to cause cancer, birth defects or other reproductive harm. Some examples of these chemicals are:

- lead from lead-based paints,
- crystalline silica from bricks and cement and other masonry products, and
- arsenic and chromium from chemically-treated lumber (CCA).

Your risk from these exposures varies, depending on how often you do this type of work. To reduce your exposure to these chemicals: work in a well ventilated area, and work with approved safety equipment, such as those dust masks that are specially designed to filter out microscopic particles.

- **Avoid prolonged contact with dust from power sanding, sawing, grinding, drilling, and other construction activities. Wear protective clothing and wash exposed areas with soap and water.** Allowing dust to get into your mouth, eyes, or lay on the skin may promote absorption of harmful chemicals.

**▲ WARNING:** Use of this tool can generate and/or disburse dust, which may cause serious and permanent respiratory or other injury. Always use NIOSH/OSHA approved respiratory protection appropriate for the dust exposure. Direct particles away from face and body.

For your convenience and safety, the following warning labels are on your miter saw.

#### ON MOTOR HOUSING:

**▲ WARNING: FOR YOUR OWN SAFETY, READ INSTRUCTION MANUAL BEFORE OPERATING SAW. WHEN SERVICING, USE ONLY IDENTICAL REPLACEMENT PARTS.**

**DO NOT EXPOSE TO RAIN OR USE IN DAMP LOCATIONS. ALWAYS WEAR EYE PROTECTION.**

#### ON MOVING FENCES:

**ALWAYS ADJUST FENCE PROPERLY BEFORE USE. Clamp small pieces before cutting. See manual.**

#### ON GUARD:

**DANGER – KEEP AWAY FROM BLADE.**

#### ON UPPER GUARD:

**PROPERLY SECURE BRACKET WITH BOTH SCREWS BEFORE USE.**

#### ON TABLE: (2 PLACES)

**ALWAYS TIGHTEN ADJUSTMENT KNOBS BEFORE USE. KEEP HANDS 6" FROM PATH OF SAW BLADE. NEVER PERFORM ANY OPERATION FREEHAND. NEVER CROSS ARMS IN FRONT OF BLADE. THINK! YOU CAN PREVENT ACCIDENTS.**

**DO NOT OPERATE SAW WITHOUT GUARDS IN PLACE. TURN OFF TOOL, KEEP SAW HEAD DOWN AND WAIT FOR SAW TO STOP BEFORE MOVING HANDS, WORKPIECE OR CHANGING SETTINGS. UNPLUG TOOL BEFORE CHANGING BLADE, MOVING OR SERVICING UNIT.**

#### ON BASE:



### Electrical Connection

Be sure your power supply agrees with the nameplate marking. 120 volts, AC means that your saw will operate on alternating current. The switch is susceptible to failure if direct current is used. A voltage decrease of 10 percent or more will cause a loss of power and overheating. All DEWALT tools are factory tested. If this tool does not operate, check the power supply.

### Accessories

Recommended accessories for use with your tool are available at extra cost from your local service center.

**▲ CAUTION:** The use of any non-recommended accessory such as dado sets, molding cutters, or abrasive wheels may be hazardous.

If you need assistance in locating any accessory, please contact DEWALT Industrial Tool Co., 701 East Joppa Road, Baltimore, MD 21286 or call 1-800-4-DEWALT (1-800-433-9258).

### Optional Accessories

The following accessories, designed for your saw, may be helpful. In some cases, other locally obtained work supports, length stops, clamps, etc., may be more appropriate. Use care in selecting and using accessories.

#### **Laser Guide System: DW7187**

Laser is available at extra cost from DEWALT Service Centers and your home improvement retailer. Instructions for installation are included with the accessory. Read and follow all directions for safe installation and use.

#### **Extension, Work Support: DW7080**

Used to support long overhanging workpieces, the work support is user assembled. Your saw table is designed to accept two work supports; one on each side.

#### **Adjustable Length Stop: DW7051**

Requires the use of one work support (page 4). It is used to make repetitive cuts of the same length from 0 to 42".



ALWAYS ADJUST FENCE PROPERLY BEFORE USE. CLAMP SMALL PIECES BEFORE CUTTING. SEE MANUAL. AJUSTE LA GUÍA DEBIDAMENTE ANTES DE UTILIZAR LA HERRAMIENTA. ASEGURE LAS PIEZAS PEQUEÑAS ANTES DE CORTARLAS. CONSULTE EL MANUAL. TOUJOURS RÉGLER LE GUIDE AVANT L'UTILISATION. FIXER LES PETITS OBJETS AVANT DE LES SCIER. CONSULTER LE GUIDE D'UTILISATION.

**DANGER PELIGRO**

KEEP AWAY FROM BLADE  
MANTENERS ALEJADO DE LA HOJA  
S'ÉLOIGNER DE LA LAME



**Clamp: DW7082**

Used for firmly clamping workpiece to the saw table for precision cutting.

**Dust Bag: DW7053 (Included with some models)**

Equipped with a zipper for easy emptying, the dust bag will capture the majority of the sawdust produced (not shown).

**NOTE:** Deflector on dust spout channels debris to ground. Spout has a provision to attach a vacuum hose to collect sawdust. Lift dust spout to connect hose.

**Crown Molding Fence: DW7084**

Used for precision cutting of crown molding.

**Kerf Plate Blank: DW7055**

Used to limit back side tear out of material or as a replacement kerf plate.

**SAW BLADES: ALWAYS USE 12" SAW BLADES WITH 1" ARBOR HOLES. SPEED RATING MUST BE AT LEAST 4800 RPM. Never use a smaller diameter blade. It will not be guarded properly.**

<b>BLADE DESCRIPTIONS</b>				
<b>APPLICATION</b>	<b>MODEL #</b>	<b>DIAMETER</b>	<b>TEETH</b>	<b>TOOTH GRIND</b>
<b>Construction Saw Blades</b> ( <i>thin kerf with anti-stick rim</i> )				
General Purpose	DW3123	12"	32	ATB
Fine Crosscuts	DW3126	12"	60	ATB
Fine Crosscuts	DW3128	12"	80	ATB
<b>Woodworking Saw Blades</b> ( <i>provide smooth, clean cuts</i> )				
Fine crosscuts	DW7648	12"	60	ATB
Fine crosscuts	DW7649	12"	80	ATB
Ultra-fine crosscuts	DW7650	12"	96	ATB
Laminates	DW7661	12"	80	TCG
Solid surface and plastics	DW7668	12"	80	Mod TCG
Non-ferrous metals	DW7666	12"	80	TCG

**Unpacking Your Saw**

Check the contents of your miter saw carton to make sure that you have received all parts. In addition to this instruction manual, the carton should contain:

1. One No. DW716 miter saw.
2. One DEWALT 12" dia. saw blade
3. One blade wrench in wrench pocket shown in Figure 2.
4. One DW7053 dustbag (some models).

**Specifications**

**CAPACITY OF CUT**

50° miter left and right

48° bevel left and right

0° miter

Max. Height 3.6" (91.5mm) Result Width 7.2" (183mm)  
 Max. Width 7.9" (200.7mm) Result Height 2.9" (73.7mm)

45° miter

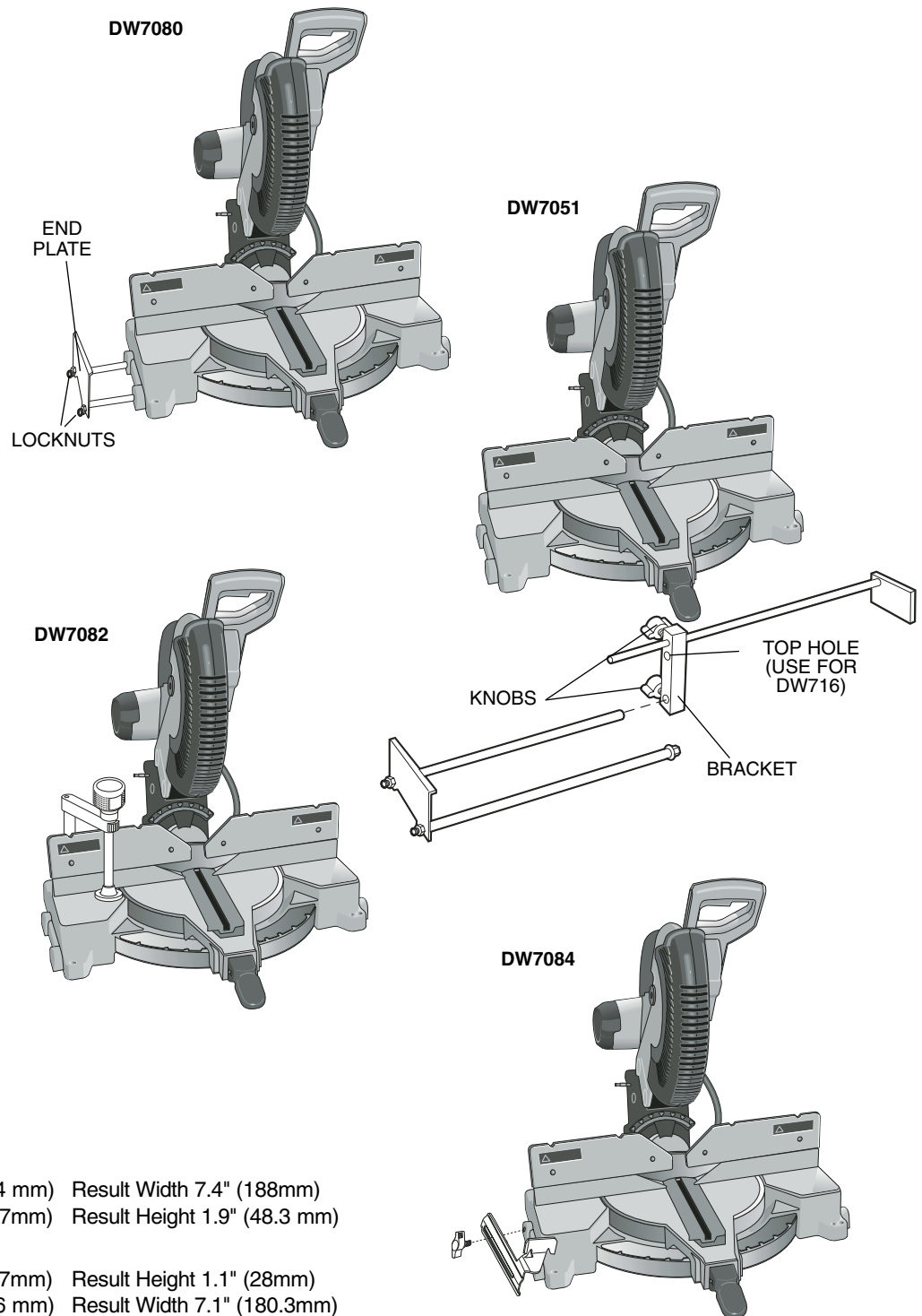
Max. Height 3.6" (91.5mm) Result Width 4.9" (125mm)  
 Max. Width 5.5" (140mm) Result Height 2.9" (73.7mm)

45° bevel - Left

Max. Height 2.3" (58.4 mm) Result Width 7.4" (188mm)  
 Max. Width 7.9" (200.7mm) Result Height 1.9" (48.3 mm)

45° bevel - Right

Max. Width 7.9" (200.7mm) Result Height 1.1" (28mm)  
 Max. Height 1.6" (40.6 mm) Result Width 7.1" (180.3mm)





Your saw is capable of cutting baseboard moldings 0.9" (22.9mm) thick by 6.0" (152.4mm) tall on a 45° right or left miter.

**NOTE:** Your saw is capable of cutting the following once a special setup procedure is followed (see Special Cuts).

0° miter	height 1.5" (38.1 mm)
	width 10" (255 mm)
45° miter	height 1.5" (38.1 mm)
	width 7.5" (190.5 mm)

**DRIVE**

**120 Volt Motor**

1675 Watts (max in)

3600 RPM

Multi-V Belt

Automatic Electric Brake

15 Amp Motor

Cut Helical Gears

Roller Bearings

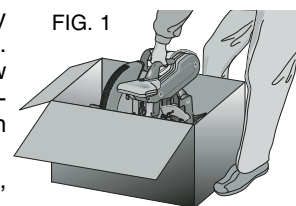
Carbide Blade

**Familiarization**

Your miter saw is fully assembled in the carton. Open the box and lift the saw out by the convenient carrying handle, as shown in Figure 1.

Place the saw on a smooth, flat surface such as a workbench or strong table.

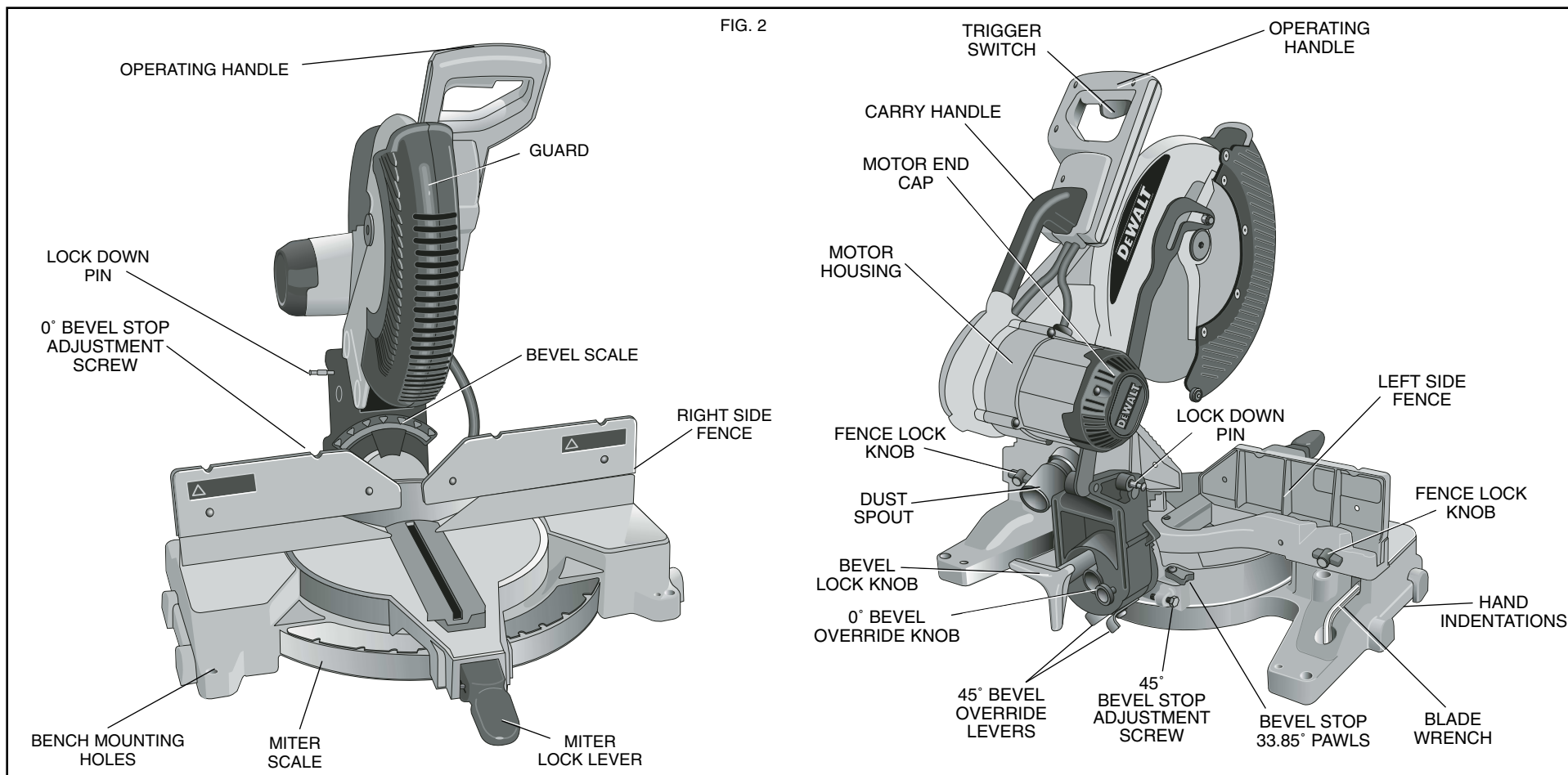
Examine Figure 2 to become familiar with the saw and its various parts. The section on adjustments will refer to these terms and you must know what and where the parts are.



Press down lightly on the operating handle and pull out the lock down pin, as shown in Figure 2. Gently release the downward pressure and hold the arm allowing it to rise to its full height. Use the lock down pin when carrying the saw from one place to another. Always use the carrying handle to transport the saw or the hand indentations shown in Figure 2.

**Bench Mounting**

Holes are provided in all four feet to facilitate bench mounting, as shown in Figure 2. (Two different sized holes are provided to accommodate different sizes of screws. Use either hole, it is not necessary to use both.) Always mount your saw firmly to a stable surface to prevent movement. To enhance the tool's portability, it can be mounted to a piece of 1/2" or thicker plywood which can then be clamped to your work support or moved to other job sites and reclamped.



**NOTE:** If you elect to mount your saw to a piece of plywood, make sure that the mounting screws don't protrude from the bottom of the wood. The plywood must sit flush on the work support. When clamping the saw to any work surface, clamp only on the clamping bosses where the mounting screw holes are located. Clamping at any other point will surely interfere with the proper operation of the saw.

**⚠ CAUTION:** To prevent binding and inaccuracy, be sure the mounting surface is not warped or otherwise uneven. If the saw rocks on the surface place a thin piece of material under one saw foot until the saw sits firmly on the mounting surface.

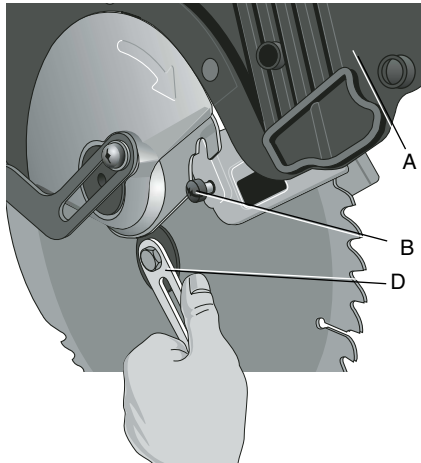
## **IMPORTANT SAFETY INSTRUCTIONS**

### **Changing or Installing a New Saw Blade (Fig. 3)**

**⚠ CAUTION:**

- Never depress the spindle lock button while the blade is under power or coasting.
- Do not cut ferrous metal (containing iron or steel) or masonry or fiber cement product with this miter saw.

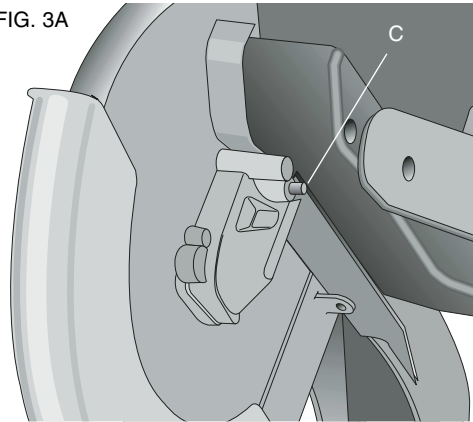
FIG. 3



### **Removing the Blade**

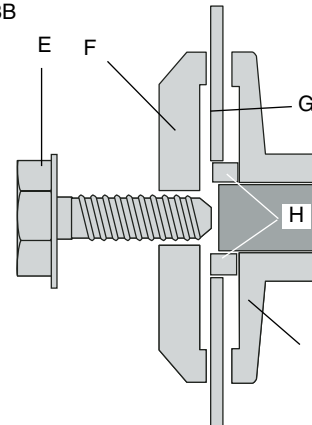
1. Unplug the saw.
2. Raise the arm to the upper position and raise the lower guard (A) as far as possible.
3. Loosen, but do not remove guard bracket screw (B) until the bracket can be raised far enough to access the blade screw. Lower guard will remain raised due to the position of the guard bracket screw.

FIG. 3A



4. Depress the spindle lock button (C) while carefully rotating the saw blade by hand until the lock engages.
5. Keeping the button depressed, use the other hand and the wrench provided (D) to loosen the blade screw. (Turn clockwise, left-hand threads)
6. Remove the blade screw (E), outer clamp washer (F), and blade (G). The 1" (25.4mm) blade adapter (H), if used, and the inner clamp washer (I), may be left on the spindle.

FIG. 3B



**NOTE:** For blades with a blade hole of 5/8" (15.88mm), the 1" (25.4mm) blade adapter is not used.

### **Installing a Blade**

1. Unplug the saw.
2. With the arm raised, the lower guard held open and the pivot plate raised, place the blade on the spindle, onto the blade adapter [if using a blade with a 1" (25.4mm) diameter blade hole] and against the inner clamp washer with the teeth at the bottom of the blade pointing toward the back of the saw.
3. Assemble the outer clamp washer onto the spindle.

4. Install the blade screw and, engaging the spindle lock, tighten the screw firmly with wrench provided. (Turn counterclockwise, left-hand threads)

**NOTE:** When using blades with a 5/8" (15.88mm) diameter blade hole, the blade adapter will not be used and should be stored in a safe place for future use.

5. Return the guard bracket to its original position and firmly tighten the guard bracket screw to hold bracket in place.

**⚠ WARNING:**

- The guard bracket must be returned to its original position and the screw tightened before activating the saw.
- Failure to do so may allow the guard to contact the spinning saw blade resulting in damage to the saw and severe personal injury.

### **Transporting the Saw**

**TURN OFF AND UNPLUG THE MITER SAW BEFORE ATTEMPTING TO MOVE IT OR MAKE ANY ADJUSTMENTS WHAT SO EVER!**

In order to conveniently carry the miter saw from place to place, a carrying handle has been included on the top of the saw arm and hand indentations in the base, as shown in Figures 2, 4.

FIG. 4



### **Adjustments**

**PERFORM ALL ADJUSTMENTS WITH THE MITER SAW UNPLUGGED.**

**NOTE:** Your miter saw is fully and accurately adjusted at the factory at the time of manufacture. If readjustment due to shipping and handling or any other reason is required, follow the steps below to adjust your saw.

Once made, these adjustments should remain accurate. Take a little time now to follow these directions carefully to maintain the accuracy of which your saw is capable.

#### MITER SCALE ADJUSTMENT (FIG. 5)

Place a square against the saw's fence and blade. (Do not touch the tips of the blade teeth with the square. To do so will cause an inaccurate measurement.) Unlock miter lock lever (J) and swing the miter arm until the miter latch locks it at the 0° miter position. Do not lock miter lock lever (J). If the saw blade is not exactly perpendicular to the fence, loosen the three screws that hold the miter scale to the base and move the scale left or right until the blade is perpendicular to the fence, as measured with the square. Retighten the three screws. Pay no attention to the reading of the miter pointer at this time.

#### MITER POINTER ADJUSTMENT (FIG. 5, 6)

To unlock, lift the miter lock lever (J) up and squeeze the miter latch (K) to move the miter arm to the zero position. With the miter lock lever unlocked allow the miter latch to snap into place as you rotate the miter arm to zero. Observe the pointer and miter scale through the viewing opening shown in Figure 6. If the pointer does not indicate exactly zero, loosen the screw holding the pointer in place, reposition the pointer and tighten the screw.

#### BEVEL SQUARE TO TABLE (FIG. 7)

To align the blade square to the rotary table, lock the arm in the down position. Place a square against the blade taking care to not have the square on top of a tooth. Loosen the bevel lock knob (L) and ensure the arm is firmly against the 0° bevel stop. Move the 0° bevel stop adjusting screw (T) as necessary so that the blade is at zero degrees bevel to the table.

#### BEVEL POINTER (FIG. 7)

If the bevel pointer (M) does not indicate zero, loosen the screw that holds it in place and move the pointer as necessary. Do not remove the steel plate in front of the bevel pointer. This plate prevents wood resin from accumulating on the bevel scale during use.

#### ADJUSTING THE BEVEL STOP TO 45° LEFT OR RIGHT (FIG. 8)

**NOTE:** Adjust the 45° bevel angles only after performing the 0° bevel angle and pointer adjustment. Ensure the 45° bevel override levers (N) are pushed inward to obtain an accurate adjustment.

To adjust the right 45° bevel angle, loosen the bevel lock knob (L) and pull the bevel stop override knob (S) to override the 0° bevel stop. When the saw is fully to the right, if the pointer does not indicate exactly 45°, turn the right bevel stop screw (O) until the pointer indicates 45°.

To adjust the left 45° bevel stop, first loosen the bevel lock

FIG. 5

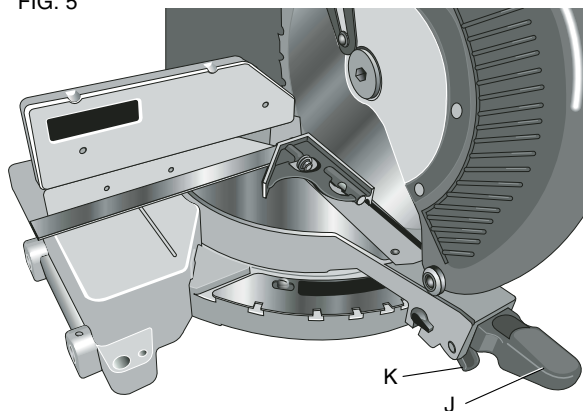


FIG. 6

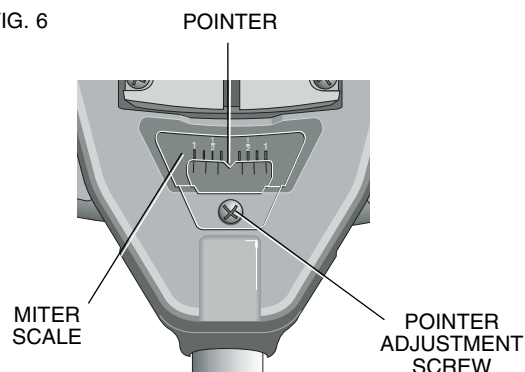
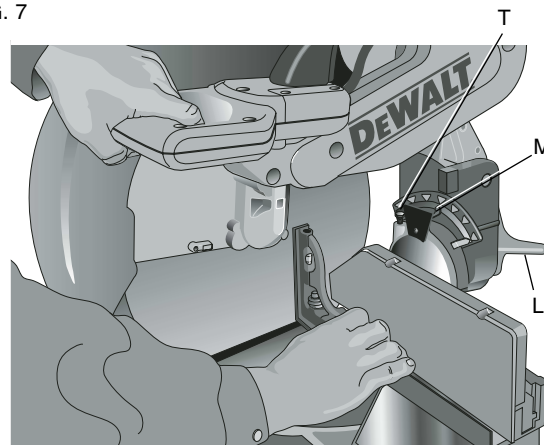


FIG. 7



knob (L) and tilt the head to the left. If the pointer does not indicate exactly 45°, turn the left bevel stop screw until the pointer reads 45°.

#### ADJUSTING THE BEVEL STOP TO 33.85° (FIG. 8)

**NOTE:** Adjust the 33.85° bevel angles only after performing the 0° bevel angle and pointer adjustment.

To set the 33.85° bevel angle, flip out the stop pawls (P). Loosen the bevel lock knob (L) and tilt the head to the left. If the pointer does not indicate exactly 33.85°, turn the screw contacting the pawl until the pointer reads 33.85°.

To adjust the right 33.85° bevel angle, flip out the stop pawl. Loosen the bevel lock knob (L) and pull the bevel stop override button (S) to override the 0° bevel stop. When the saw is fully to the right, if the pointer does not indicate exactly 33.85°, turn the screw contacting the pawl until the pointer indicates 33.85°.

#### FENCE ADJUSTMENT

##### Turn Off and Unplug the Miter Saw

In order that the saw can bevel to a full 48 degrees left or right, the fences can be adjusted to provide clearance. To adjust a fence, loosen the plastic knob (Figure 8, R), and slide the fence outward. Make a dry run with the saw turned off and check for clearance. Adjust the fence to be as close to the blade as practical to provide maximum workpiece support, without interfering with arm up and down movement. Tighten knob securely. When the bevel operations are complete, don't forget to relocate the fence.

**NOTE:** The guide groove of the fences can become clogged with sawdust. If you notice that it is becoming clogged, use a stick or some low pressure air to clear the guide groove.

**▲ WARNING: Always use eye protection. All users and bystanders must wear eye protection that conforms to ANSI Z87.1. (CAN/CSA Z94.3)**

#### AUTOMATIC ELECTRIC BRAKE

Your saw is equipped with an automatic electric blade brake which stops the saw blade within 5 seconds of trigger release. This is not adjustable.

On occasion, there may be a delay after trigger release to brake engagement. On rare occasions, the brake may not engage at all and the blade will coast to a stop.

If a delay or "skipping" occurs, turn the saw on and off 4 or 5 times. If the condition persists, have the tool serviced by an authorized DeWALT service center.

Always be sure the blade has stopped before removing it from the kerf. The brake is not a substitute for guards. Ensure your own safety by giving the saw your complete attention.



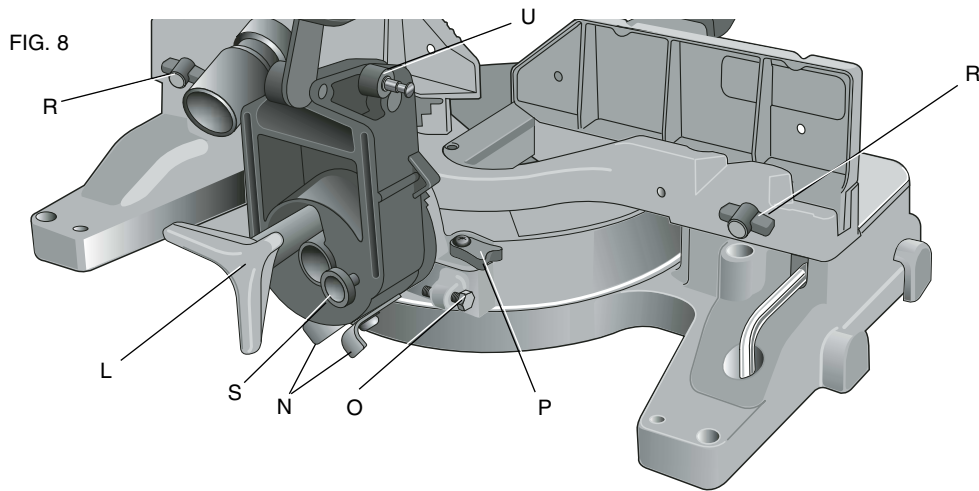


FIG. 9

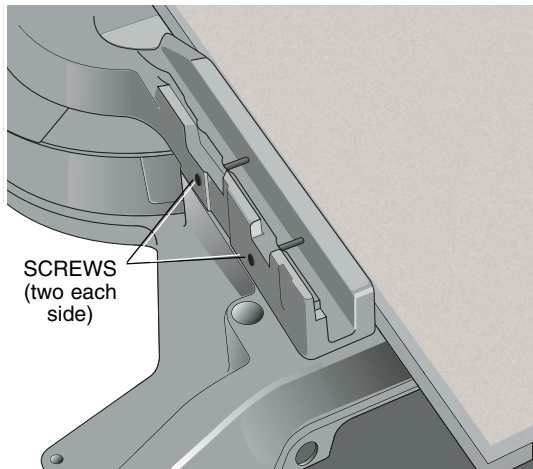


FIG. 10

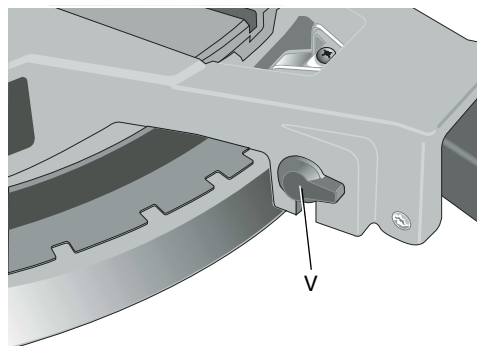
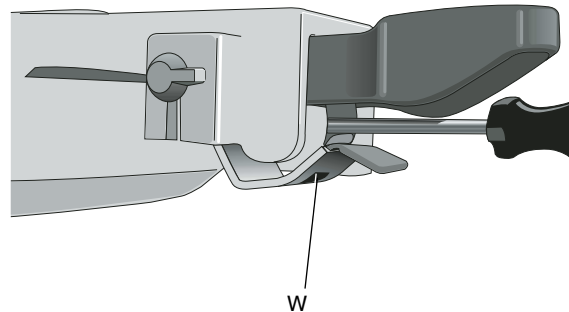


FIG. 11



#### GUARD ACTUATION AND VISIBILITY

The blade guard on your saw has been designed to automatically raise when the arm is brought down and to lower over the blade when the arm is raised.

The guard can be raised by hand when installing or removing saw blades or for inspection of the saw. **NEVER RAISE THE BLADE GUARD MANUALLY UNLESS THE SAW IS TURNED OFF.**

**NOTE:** Certain special cuts of large material will require that you manually raise the guard. See page 13.

The front section of the guard is louvered for visibility while cutting. Although the louvers dramatically reduce flying debris, they are openings in the guard and safety glasses should be worn at all times when viewing through the louvers.

#### MITER LOCK ADJUSTMENT (FIG. 11)

The miter lock rod should be adjusted if the table of the saw can be moved when the miter lock handle is locked

down. To adjust, put the miter lock handle in the up position. Using a 3/32 hex wrench, loosen the set screw (W) on the pivot pin. Using a slotted screwdriver, adjust the lock rod in 1/8 clockwise turn increments to increase the lock force. To ensure the miter lock is functioning properly, re-lock miter lock handle to a non-detent miter angle. Tighten set screw.

#### Brushes

##### DISCONNECT PLUG FROM POWER SUPPLY.

Inspect carbon brushes regularly by unplugging tool, removing the motor end cap (Fig. 2), lift the brush spring and withdraw the brush assembly. Keep brushes clean and sliding freely in their guides. Always replace a used brush in the same orientation in the holder as it was prior to its removal. Carbon brushes have varying symbols stamped into their sides, and if the brush is worn down to approximately 1/2 inch, the spring will no longer exert pressure and they must be replaced. Use only identical DEWALT brushes. Use of the correct grade of brush is essential for proper operation of electric brake. New brush assemblies are available at DEWALT service centers. The tool should be allowed to “run in” (run at no load) for 10 minutes before use to seat new brushes. The electric brake may be erratic in operation until the brushes are properly seated (worn in). Always replace the brush inspection cap after inspection or servicing the brushes.

While “running in” **DO NOT TIE, TAPE, OR OTHERWISE LOCK THE TRIGGER SWITCH ON. HOLD BY HAND ONLY.**

#### Controls

Your compound miter saw has several main controls, which will be discussed briefly here. For more information on these controls, see the respective sections later in the manual.

##### MITER CONTROL (FIG. 5)

The miter lock/adjustment lever and trigger allows you to miter your saw 50° left and right. To miter the saw, unlock miter lock lever (J) by pulling upward, squeeze the detent trigger (K) and set the miter angle desired on the miter scale. Lock miter lock handle by pressing downward. Override the detent trigger by rotating knob (Fig. 10, V).

##### TRIGGER SWITCH (FIG. 2)

The trigger switch turns your saw on and off. A hole is provided in the trigger for insertion of a padlock to secure the saw.

##### BEVEL LOCK (FIG. 8)

The bevel lock knob (L) allows you to bevel the saw 48° left or right. To loosen the handle and adjust the bevel setting, turn the handle counterclockwise, the saw head bevets easily to the left or to the right once the 0° bevel override knob (S) is pulled. To tighten, turn the handle clockwise. Bevel degree markings are on the bottom front of the saw arm (Fig. 7, M).

**0° BEVEL OVERRIDE (FIG. 8)**

The bevel stop override (S) allows you to bevel the saw to the right past the 0° mark.

The saw will automatically stop at 0° when brought up from the left. To move past 0° to the right, pull the bevel stop knob. The stop knob can be locked out by pulling the knob out and rotating it 180°.

**45° BEVEL STOP OVERRIDES (FIG. 8)**

The bevel stop overrides (N) are held secure with their attachment screw to prevent inadvertent movement. Use the bit on the blade wrench to loosen the attachment screw. This allows the slides, to be pulled outward and the saw head to pivot past the 45° mark. Be sure to retighten the attachment screw when finished.

**33.85° BEVEL STOPS (FIG. 8)**

The two pawls (P) are used to stop the saw head bevel setting at 33.85°. This setting is used primarily for cutting crown moldings laid flat on the table.

**HEAD DOWNLOCK PIN (FIG. 8)**

To lock the saw head in the down position, push the head down, push the pin (U) in and release the saw head. This will hold the saw head safely down for moving the saw from place to place. To release, press the saw head down and pull the pin out.

**Operation**

Plug the saw into any household 60 Hz power source. Refer to the nameplate for voltage. Be sure the cord will not interfere with your work.

**SWITCH**

To turn the saw on, depress the trigger switch. To turn the tool off, release the switch. Allow the blade to spin up to full operating rpm before making the cut. Release the trigger switch and allow the brake to stop the blade before raising the saw head. There is no provision for locking the switch on, but a hole is provided in the trigger for insertion of a padlock to lock the saw off.

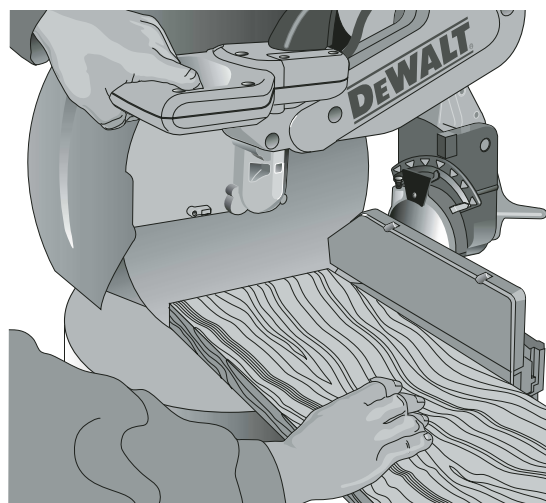
**CUTTING WITH YOUR SAW**

**NOTE:** Although this saw will cut wood and many non-ferrous materials, we will limit our discussion to the cutting of wood only. The same guidelines apply to the other materials. **DO NOT CUT FERROUS (IRON AND STEEL) MATERIALS OR MASONRY WITH THIS SAW.** Do not use any abrasive blades.

**CROSSCUTS**

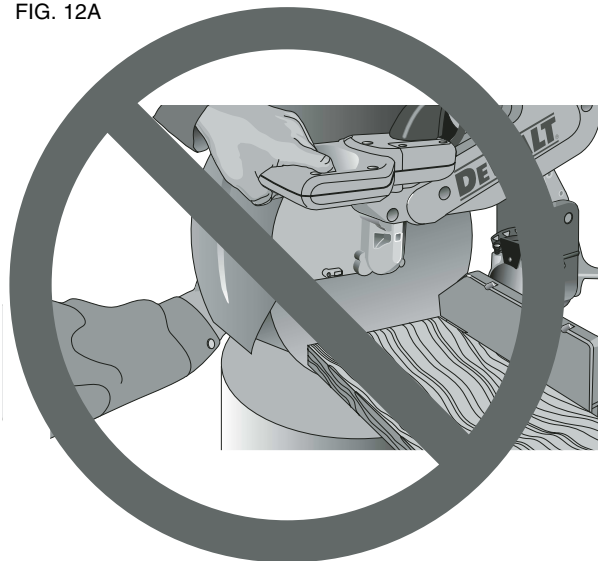
Cutting of multiple pieces is not recommended but can be done safely by ensuring that each piece is held firmly against the table and fence. A crosscut is made by cutting wood across the grain at any angle. A straight crosscut is made with the miter arm at the zero degree position. Set the miter arm at zero, hold the wood on the table and firmly against the fence. Turn on the saw by squeezing the trigger.

FIG. 12



PROPER CUT

FIG. 12A



IMPROPER CUT

When the saw comes up to speed (about 1 second) lower the arm smoothly and slowly to cut through the wood. Let the blade come to a full stop before raising arm.

Miter crosscuts are made with the miter arm at some angle other than zero. This angle is often 45 degrees for making corners, but can be set anywhere from zero to 50 degrees left or right. After selecting the desired miter angle, be sure to lock miter lock lever. Make the cut as described above.

**BEVEL CUTS**

A bevel cut is a crosscut made with the saw blade at a bevel to the wood. In order to set the bevel, loosen the bevel clamp knob and move the saw to the left as desired. (It is necessary to move the fence to allow clearance). Once the desired bevel angle has been set, tighten the bevel clamp knob firmly.

Bevel angles can be set from 48 degrees right to 48 degrees left and can be cut with the miter arm set between zero and 50 degrees right or left. At some extreme angles, the right or left side fence might have to be removed. To remove the left or right fence, unscrew the knobs several turns and slide the fence out.

**QUALITY OF CUT**

The smoothness of any cut depends on a number of variables. Things like material being cut, blade type, blade sharpness and rate of cut all contribute to the quality of the cut.

When smoothest cuts are desired for molding and other precision work, a sharp (60 tooth carbide) blade and a slower, even cutting rate will produce the desired results.

Ensure that material does not creep while cutting, clamp it securely in place. Always let the blade come to a full stop before raising arm.

If small fibers of wood still split out at the rear of the workpiece, stick a piece of masking tape on the wood where the cut will be made. Saw through the tape and carefully remove tape when finished.

For varied cutting applications, refer to the list of recommended saw blades for your saw and select the one that best fits your needs (page 4).

**BODY AND HAND POSITION (FIG. 12)**

Proper positioning of your body and hands when operating the miter saw will make cutting easier, more accurate and safer. Never place hands near cutting area. Place hands no closer than 6" from the blade. Hold the workpiece tightly to the table and the fence when cutting. Keep hands in position until the trigger has been released and the blade has completely stopped. **ALWAYS MAKE DRY RUNS (UNPOWERED) BEFORE FINISH CUTS SO THAT YOU CAN CHECK THE PATH OF THE BLADE. DO NOT CROSS HANDS, AS SHOWN IN FIGURE 12A.**

Keep both feet firmly on the floor and maintain proper balance. As you move the miter arm left and right, follow it and stand slightly to the side of the saw blade. Sight through the guard louvers when following a pencil line.

## CLAMPING THE WORKPIECE

### Turn Off and Unplug Saw.

If you cannot secure the workpiece on the table and against the fence by hand, (irregular shape, etc.) or your hand would be less than 6" from the blade, a clamp or other fixture must be used.

For best results use the DW7082 clamp made for use with your saw. It is available for purchase at your local retailer or DeWALT service center.

Other aids such as spring clamps, bar clamps or C-clamps may be appropriate for certain sizes and shapes of material. Use care in selecting and placing these clamps. Take time to make a dry run before making the cut. The left or right fence will slide from side to side to aid in clamping.

**NOTE:** ALWAYS MAKE DRY RUNS (UNPOWERED) BEFORE FINISH CUTS TO CHECK THE PATH OF THE BLADE. ENSURE A CLAMP DOES NOT INTERFERE WITH THE ACTION OF THE SAW OR GUARDS.

**▲ WARNING:** A workpiece that is clamped, balanced and secure before a cut may become unbalanced after a cut is completed. An unbalanced load may tip the saw or anything the saw is attached to, such as a table or workbench. When making a cut that may become unbalanced, properly support the workpiece and ensure the saw is firmly bolted to a stable surface.

## SUPPORT FOR LONG PIECES

### Turn Off and Unplug Saw.

ALWAYS SUPPORT LONG PIECES.

Never use another person as a substitute for a table extension; as additional support for a workpiece that is longer or wider than the basic miter saw table or to help feed, support or pull the workpiece.

For best results, use the DW7080 extension work support to extend the table width of your saw. Available from your dealer at extra cost. Support long workpieces using any convenient means such as sawhorses or similar devices to keep the ends from dropping.

## CUTTING PICTURE FRAMES, SHADOW BOXES AND OTHER FOUR-SIDED PROJECTS

To best understand how to make the items listed here, we suggest that you try a few simple projects using scrap wood until you develop a "FEEL" for your saw.

Your saw is the perfect tool for mitering corners like the one shown in Figure 14. Sketch A in Figure 13 shows a joint made by using the bevel adjustment to bevel the edges of the two boards at 45 degrees each to produce a 90 degree corner. For this joint the miter arm was locked in the zero position and the bevel adjustment was locked at 45 degrees. The wood was positioned with the broad flat side against the table and the narrow edge against the fence. The cut could also be made by mitering right and left with the broad surface against the fence.

## CUTTING TRIM MOLDING AND OTHER FRAMES

Sketch B in Figure 13 shows a joint made by setting the miter arm at 45 degrees to miter the two boards to form a

FIG. 13

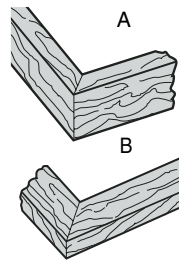


FIG. 14

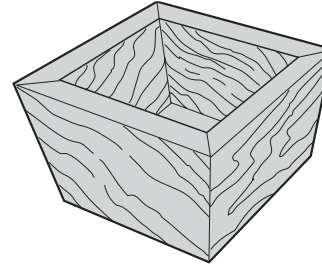


FIG. 15

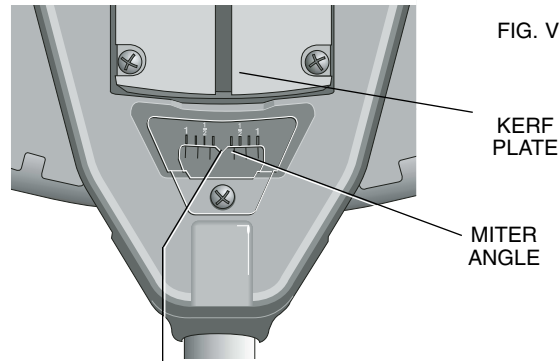
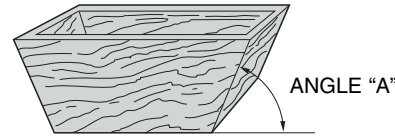


FIG. V1

CENTER MARK ON VERNIER SCALE ALIGNS WITH DESIRED WHOLE ANGLE ON MITER SCALE (24° RIGHT MITER)

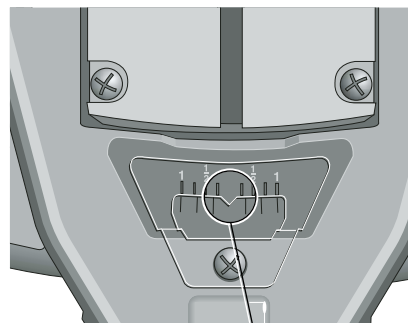


FIG. V2

1/4° VERNIER MARK ALIGNS WITH CLOSEST WHOLE DEGREE MARK ON MITER SCALE (24-1/4° RIGHT MITER)

90 degree corner. To make this type of joint, set the bevel adjustment to zero and the miter arm to 45 degrees. Once again, position the wood with the broad flat side on the table and the narrow edge against the fence.

The two sketches in Figure 13 are for four side objects only.

As the number of sides changes, so do the miter and bevel angles. The chart below gives the proper angles for a variety of shapes.

(The chart assumes that all sides are of equal length.) For a shape that is not shown in the chart, use the following formula. 180 degrees divided by the number of sides equals the miter (if the material is cut vertically) or bevel angle (if the material is cut laying flat).

- EXAMPLES -	
NO. SIDES	ANGLE MITER OR BEVEL
4	45°
5	36°
6	30°
7	25.7°
8	22.5°
9	20°
10	18°

## CUTTING COMPOUND MITERS

A compound miter is a cut made using a miter angle and a bevel angle at the same time. This is the type of cut used to make frames or boxes with slanting sides like the one shown in Figure 15.

**NOTE:** If the cutting angle varies from cut to cut, check that the bevel clamp knob and the miter lock knob are securely tightened. These knobs must be tightened after making any changes in bevel or miter.

The chart shown on page 15 will assist you in selecting the proper bevel and miter settings for common compound miter cuts. To use the chart, select the desired angle "A" (Figure 15) of your project and locate that angle on the appropriate arc in the chart. From that point follow the chart straight down to find the correct bevel angle and straight across to find the correct miter angle.

Set your saw to the prescribed angles and make a few trial cuts. Practice fitting the cut pieces together until you develop a feel for this procedure and feel comfortable with it.

**Example:** To make a four-sided box with 26° exterior angles (Angle A, Figure 15), use the upper right arc. Find 26° on the arc scale. Follow the horizontal intersecting line to either side to get miter angle setting on saw (42°). Likewise, follow the vertical intersecting line to the top or bottom to get the bevel angle setting on the saw (18°). Always try cuts on a few scrap pieces of wood to verify settings on saw.

## VERNIER SCALE

Your saw is equipped with a vernier scale for added precision. The vernier scale allows you to accurately set miter



angles to the nearest 1/4 degree. To use the vernier scale follow the steps listed below.

(As an example, let's assume that the angle you want to miter is 24-1/4 degree right).

1. Turn off miter saw.
2. Set the miter angle to the nearest whole degree desired by aligning the center mark in the vernier scale, shown in Figure V1, with the whole degree number etched in the miter scale. Examine Figure V2 closely; the setting shown is 24 degrees right miter.
3. To set the additional 1/4 degree, squeeze the miter arm lock and carefully move the arm to the RIGHT until the 1/4 degree vernier mark aligns with the CLOSEST degree mark on the miter scale. In our example, the closest degree mark on the miter scale happens to be 25 degrees. Figure V2 shows a setting of 24-1/4 degrees right miter.

For settings that require partial degrees (1/4, 1/2, 3/4 degrees) align the desired vernier mark with the CLOSEST degree mark on the miter scale, as described below (The plastic vernier plate is inscribed with marks for 1/4, 1/2, 3/4 and 1 degrees. Only the 1/2 degree and the 1 degree are numerically labeled.)

#### WHEN MITERING TO THE RIGHT

To increase the miter angle when mitering to the right, move the arm to align the appropriate vernier mark with the closest mark on the miter scale to the right. To decrease the miter angle when mitering to the right, move the arm to align the appropriate vernier mark with the closest mark on the miter scale to the left.

#### WHEN MITERING TO THE LEFT

To increase the miter angle when mitering to the left, move the arm to align the appropriate vernier mark with the closest mark on the miter scale to the left. To decrease the miter angle when mitering to the left, move the arm to align the appropriate vernier mark with the closest mark on the miter scale to the right.

#### CUTTING BASE MOLDING

ALWAYS MAKE A DRY RUN WITHOUT POWER BEFORE MAKING ANY CUTS.

Straight 90 degree cuts:

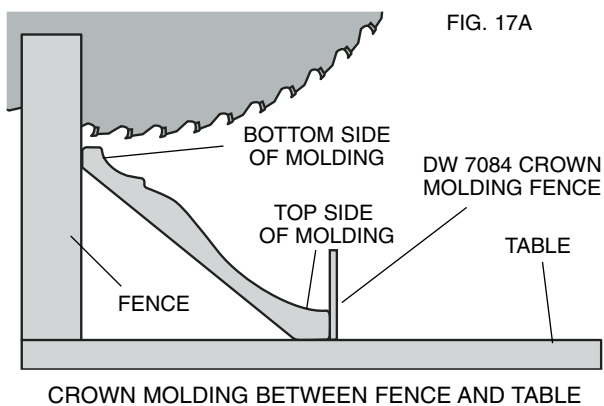
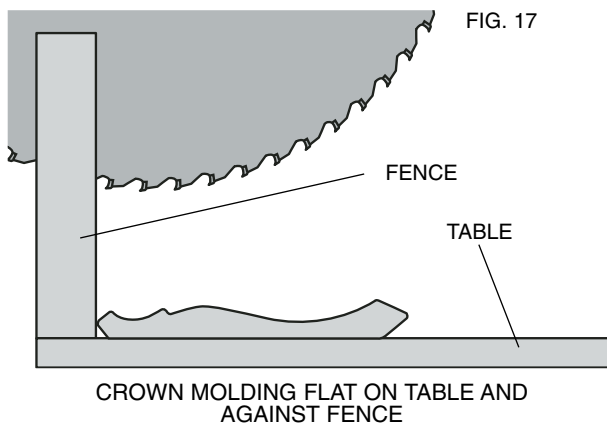
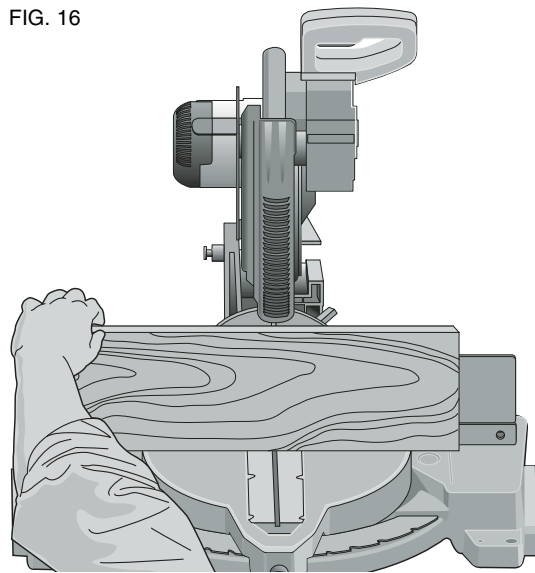
Position the wood against the fence and hold it in place as shown in Figure 16. Turn on the saw, allow the blade to reach full speed and lower the arm smoothly through the cut.

#### CUTTING BASE MOLDING UP TO 6" (152.4mm) VERTICALLY AGAINST THE FENCE

Position material as shown in Figure 16.

All cuts made with the back of the molding against the fence and bottom of the molding against the base.

FIG. 16



#### INSIDE CORNER:

Left side

1. Miter left 45°
2. Save left side of cut

Right side

1. Miter Right 45°
2. Save right side of cut

#### OUTSIDE CORNER:

Left side

1. Miter right at 45°
2. Save left side of cut

Right side

1. Miter left at 45°
2. Save right side of cut

Material up to 6" can be cut as described above.

#### CUTTING CROWN MOLDING

Your miter saw is better suited to the task of cutting crown molding than any tool made. In order to fit properly, crown molding must be compound mitered with extreme accuracy.

The two flat surfaces on a given piece of crown molding are at angles that, when added together, equal exactly 90 degrees. Most, but not all, crown molding has a top rear angle (the section that fits flat against the ceiling) of 52 degrees and a bottom rear angle (the part that fits flat against the wall) of 38 degrees.

Your miter saw has special pre-set miter latch points at 31.62 degrees left and right for cutting crown molding at the proper angle and bevel stop pawls at 33.85° left and right. There is also a mark on the bevel scale at 33.85 degrees.

The chart below gives the proper settings for cutting crown molding. (The numbers for the miter and bevel settings are very precise and are not easy to accurately set on your saw.) Since most rooms do not have angles of precisely 90 degrees, you will have to fine tune your settings anyway.

#### PRETESTING WITH SCRAP MATERIAL IS EXTREMELY IMPORTANT!

#### INSTRUCTIONS FOR CUTTING CROWN MOLDING LAYING FLAT AND USING THE COMPOUND FEATURES:

1. Molding laying with broad back surface down flat on saw table (Figure 17).
2. The settings below are for All Standard (U.S.) crown molding with 52° and 38° angles.

BEVEL SETTING	TYPE OF CUT
	LEFT SIDE, INSIDE CORNER:
33.85° Left	1. Top of molding against fence
	2. Miter table set right 31.62°
	3. Save left end of cut



33.85° Right	<b>RIGHT SIDE, INSIDE CORNER:</b> 1. Top of molding against fence. 2. Miter table set at left 31.62° 3. Save right end of cut
33.85° Right	<b>LEFT SIDE, OUTSIDE CORNER:</b> 1. Top of molding against fence. 2. Miter table set at left 31.62° 3. Save left end of cut
33.85° Left	<b>RIGHT SIDE, OUTSIDE CORNER:</b> 1. Top of molding against fence. 2. Miter table set right 31.62° 3. Save right end of cut

When setting bevel and miter angles for all compound miters, remember that:

The angles presented for crown moldings are very precise and difficult to set exactly. Since they can easily shift slightly and very few rooms have exactly square corners, all settings should be tested on scrap molding.

**PRETESTING WITH SCRAP MATERIAL IS EXTREMELY IMPORTANT!**

#### ALTERNATIVE METHOD FOR CUTTING CROWN MOLDING

Place the molding on the table at an angle between the fence and the saw table, as shown in Figure 17A. Use of the crown molding fence accessory (DW7084) is highly recommended because of its degree of accuracy and convenience. The crown molding fence accessory is available for purchase from your local dealer.

The advantage to cutting crown molding using this method is that no bevel cut is required. Minute changes in the miter angle can be made without affecting the bevel angle. This way, when corners other than 90 degrees are encountered, the saw can be quickly and easily adjusted for them. Use the crown molding fence accessory to maintain the angle at which the molding will be on the wall.

#### INSTRUCTIONS FOR CUTTING CROWN MOLDING ANGLED BETWEEN THE FENCE AND BASE OF THE SAW FOR ALL CUTS:

1. Angle the molding so the bottom of the molding (part which goes against the wall when installed) is against the fence and the top of the molding is resting on the base of the saw, as shown in Figure 17A.
2. The angled "flats" on the back of the molding must rest squarely on the fence and base of the saw.

#### INSIDE CORNER:

##### Left side

1. Miter right at 45°
2. Save the right side of cut

FIG. 18

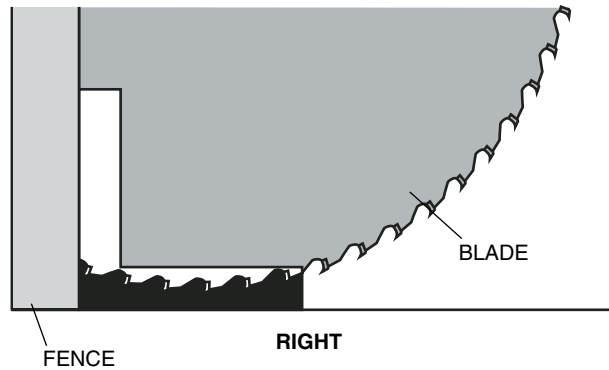


FIG. 18A

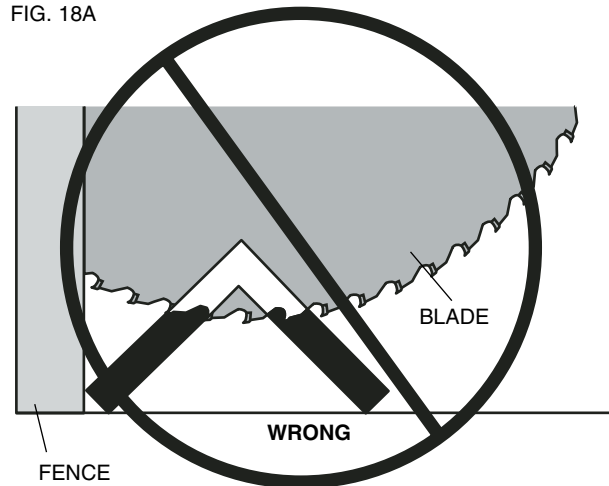


FIG. 19

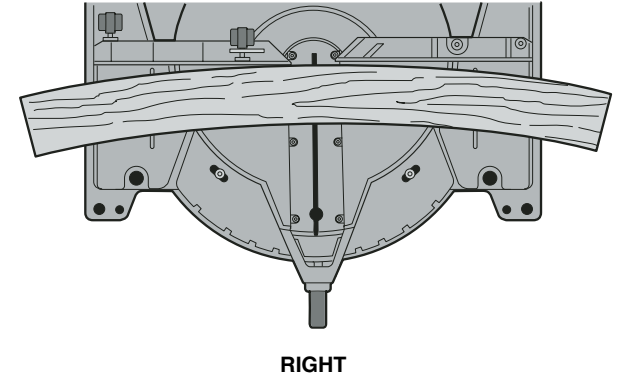
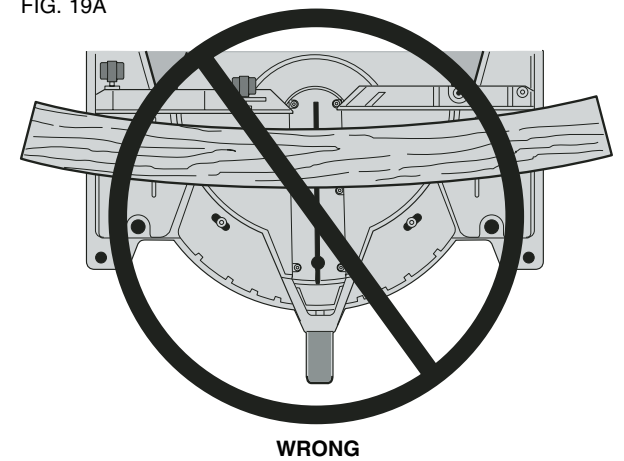


FIG. 19A



### Special Cuts

**NEVER MAKE ANY CUT UNLESS THE MATERIAL IS SECURED ON THE TABLE AND AGAINST THE FENCE.**

#### ALUMINUM CUTTING

ALWAYS USE THE APPROPRIATE SAW BLADE MADE ESPECIALLY FOR CUTTING ALUMINUM. These are available at your local DEWALT retailer or DEWALT service center. Certain workpieces, due to their size, shape or surface finish, may require the use of a clamp or fixture to prevent movement during the cut. Position the material so that you will be cutting the thinnest cross section, as shown in Figure 18. Figure 18A illustrates the wrong way to cut these extrusions. Use a stick wax cutting lubricant when cutting aluminum. Apply the stick wax directly to the saw blade before cutting. Never apply stick wax to a moving blade.

The wax, available at most hardware stores and industrial mill supply houses, provides proper lubrication and keeps chips from adhering to the blade.

Be sure to properly secure workpiece. Refer to page 4 for correct saw blade.

### BOWED MATERIAL

When cutting bowed material always position it as shown in Figure 19 and never like that shown in Figure 19A. Positioning the material incorrectly will cause it to pinch the blade near the completion of the cut.

### CUTTING PLASTIC PIPE OR OTHER ROUND MATERIAL

Plastic pipe can be easily cut with your saw. It should be cut just like wood and **CLAMPED OR HELD FIRMLY TO THE FENCE TO KEEP IT FROM ROLLING**. This is extremely important when making angle cuts.

### CUTTING LARGE MATERIAL

Occasionally you will encounter a piece of wood a little too large to fit beneath the blade guard. If this occurs, simply place your right thumb on the upper side of the guard and roll the guard up just enough to clear the workpiece, as shown in Figure 20. Avoid doing this as much as possible, but if need be, the saw will operate properly and make the bigger cut. **NEVER TIE, TAPE, OR OTHERWISE HOLD THE GUARD OPEN WHEN OPERATING THIS SAW.**

### SPECIAL SET-UP FOR WIDE CROSSCUTS

Your saw can cut very wide [up to 10" (406mm)] workpieces when a special set up is used. To set the saw up for these workpieces, follow these steps:

1. Remove both left and right sliding fences from the saw and set aside. To remove them, unscrew the fence knobs several turns and slide each fence outward. Adjust and lock the miter control so that it is at 0 degrees miter.
2. Make a platform using a piece of 1.5 inch (38mm) thick particleboard or similar flat strong 1.5 inch thick wood to the dimensions: 10" x 24" (254 x 610mm). The platform must be flat otherwise the material could move during cutting and cause injury.
3. Mount the 10" x 24" (254 x 610mm) platform to the saw using 4 three-inch long wood screws through the holes in the base fence (Fig. 9). Four screws must be used to properly secure the material. When the special set up is used, the platform will be cut into two pieces. Ensure the screws are tightened properly otherwise material could loosen and cause injury. Ensure the platform is firmly flat on the table, against the fence, and centered evenly from left to right.

**▲ WARNING:** Ensure the saw is mounted firmly to a stable flat surface. Failure to do so could cause the saw to be unstable and fall causing personal injury.

4. Place the workpiece to be cut on top of the platform mounted to the table. Ensure the workpiece is firmly against the backfence (Fig. 9).

FIG. 20

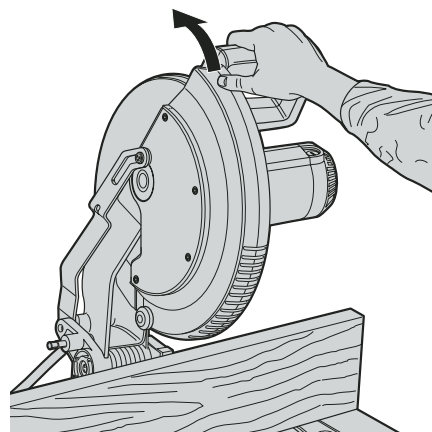
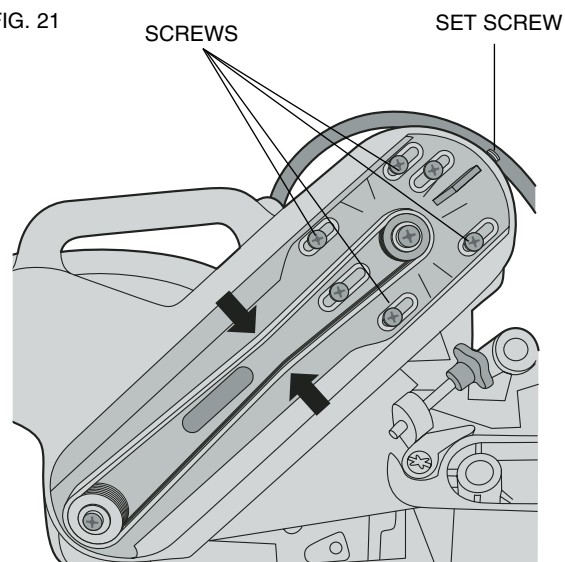


FIG. 21



5. Secure the material before cutting. Cut slowly through the material. Failure to clamp securely or cut slowly could result in the material coming loose and causing injury.

After several cuts are made at various miter angles other than 0°, the platform may weaken and not properly support the work. Install a new, unused platform to the saw after presetting the desired miter angle.

**▲ CAUTION:** Continued use of a platform with several kerfs may cause loss of material control and possible injury.

## Removing and Replacing Belt

The belt is designed to last the life of the tool. However, abuse of the tool could cause the belt to fail.

If the blade does not turn when the motor is running, the belt has failed. To inspect or replace the belt, remove the belt cover screws. Remove the belt cover. Inspect the ribs of the belt for wear or failure. Check belt tension by squeezing the belt as shown in Figure 21. The belt halves should almost touch when squeezing firmly with the thumb and index finger.

To adjust the tension, loosen, but do not remove, the four Phillips head screws shown. Then rotate the set screw on the top of the motor plate casting until the proper tension is achieved. Tighten the four screws securely and replace the belt cover.

**NOTE:** Over tightening the belt will cause premature motor failure.

## Maintenance

1. All bearings are sealed. They are lubricated for life and need no further maintenance.
2. Periodically clean all dust and wood chips from around AND UNDER the base and the rotary table. Even though slots are provided to allow debris to pass through, some dust will accumulate.
3. The brushes are designed to give you several years of use. If they ever need replacement follow the instructions on page 8 or return the tool to the nearest service center for repair. Service center locations are packed with your tool.

## Repairs

To assure product SAFETY and RELIABILITY, repairs, maintenance and adjustment (including brush inspection and replacement) should be performed by authorized service centers or other qualified service organizations, always using identical replacement parts.

## Three Year Limited Warranty

DEWALT will repair, without charge, any defects due to faulty materials or workmanship for three years from the date of purchase. This warranty does not cover part failure due to normal wear or tool abuse. For further detail of warranty coverage and warranty repair information, visit [www.dewalt.com](http://www.dewalt.com) or call 1-800-4-DEWALT (1-800-433-9258). This warranty does not apply to accessories or damage caused where repairs have been made or attempted by others. This warranty gives you specific legal rights and you may have other rights which vary in certain states or provinces.

In addition to the warranty, DEWALT tools are covered by our:

### 1 YEAR FREE SERVICE

DEWALT will maintain the tool and replace worn parts caused by normal use, for free, any time during the first year after purchase.

**90 DAY MONEY BACK GUARANTEE**

If you are not completely satisfied with the performance of your DEWALT Power Tool, Laser, or Nailer for any reason, you can return it within 90 days from the date of purchase with a receipt for a full refund – no questions asked.

**RECONDITIONED PRODUCT:** Reconditioned product is covered under the 1 Year Free Service Warranty. The 90 Day Money Back Guarantee and the Three Year Limited Warranty do not apply to reconditioned product.

**FREE WARNING LABEL REPLACEMENT:** If your warning labels become illegible or are missing, call 1-800-4-DEWALT for a free replacement.

**Patent Notification**

Manufactured under one or more of the following U.S. patents:

6,431,040	5,582,089
6,427,570	5,375,495
D454,577	5,285,708
5,819,619	5,199,343

Other patents pending.

**Troubleshooting Guide****BE SURE TO FOLLOW SAFETY RULES AND INSTRUCTIONS****TROUBLE! SAW WILL NOT START****WHAT'S WRONG?**

1. Saw not plugged in
2. Fuse blown or circuit breaker tripped
3. Cord damaged
4. Brushes worn out

**WHAT TO DO...**

1. Plug in saw.
2. Replace fuse or reset circuit breaker
3. Have cord replaced by authorized service center
4. Have brushes replaced by authorized service center or replace them yourself as instructed on page 8.

**TROUBLE! SAW MAKES UNSATISFACTORY CUTS****WHAT'S WRONG?**

1. Dull blade
2. Blade mounted backwards
3. Gum or pitch on blade
4. Incorrect blade for work being done

**WHAT TO DO...**

1. Replace blade. See page 6.
2. Turn blade around. See page 6.
3. Remove blade and clean with turpentine and coarse steel wool or household oven cleaner.
4. Change the blade type. See page 4.

**TROUBLE! BLADE DOES NOT COME UP TO SPEED****WHAT'S WRONG?**

1. Extension cord too light or too long
2. Low house current

**WHAT TO DO...**

1. Replace with adequate size cord. See page 2.
2. Contact your electric company

**TROUBLE! MACHINE VIBRATES EXCESSIVELY****WHAT'S WRONG?**

1. Saw not mounted securely to stand or work bench
2. Stand or bench on uneven floor
3. Damaged saw blade

**WHAT TO DO...**

1. Tighten all mounting hardware. See page 5.
2. Reposition on flat level surface. See page 5.
3. Replace blade. See page 6.

**TROUBLE! DOES NOT MAKE ACCURATE MITER CUTS****WHAT'S WRONG?**

1. Miter scale not adjusted correctly
2. Miter pointer not adjusted correctly
3. Workpiece is not perpendicular to table
4. Workpiece moving

**WHAT TO DO...**

1. Check and adjust. See page 7.
2. Check and adjust. See page 7.
3. Check and adjust fence. See page 7.
4. Clamp workpiece to fence or glue 120 grit sandpaper to fence with rubber cement.

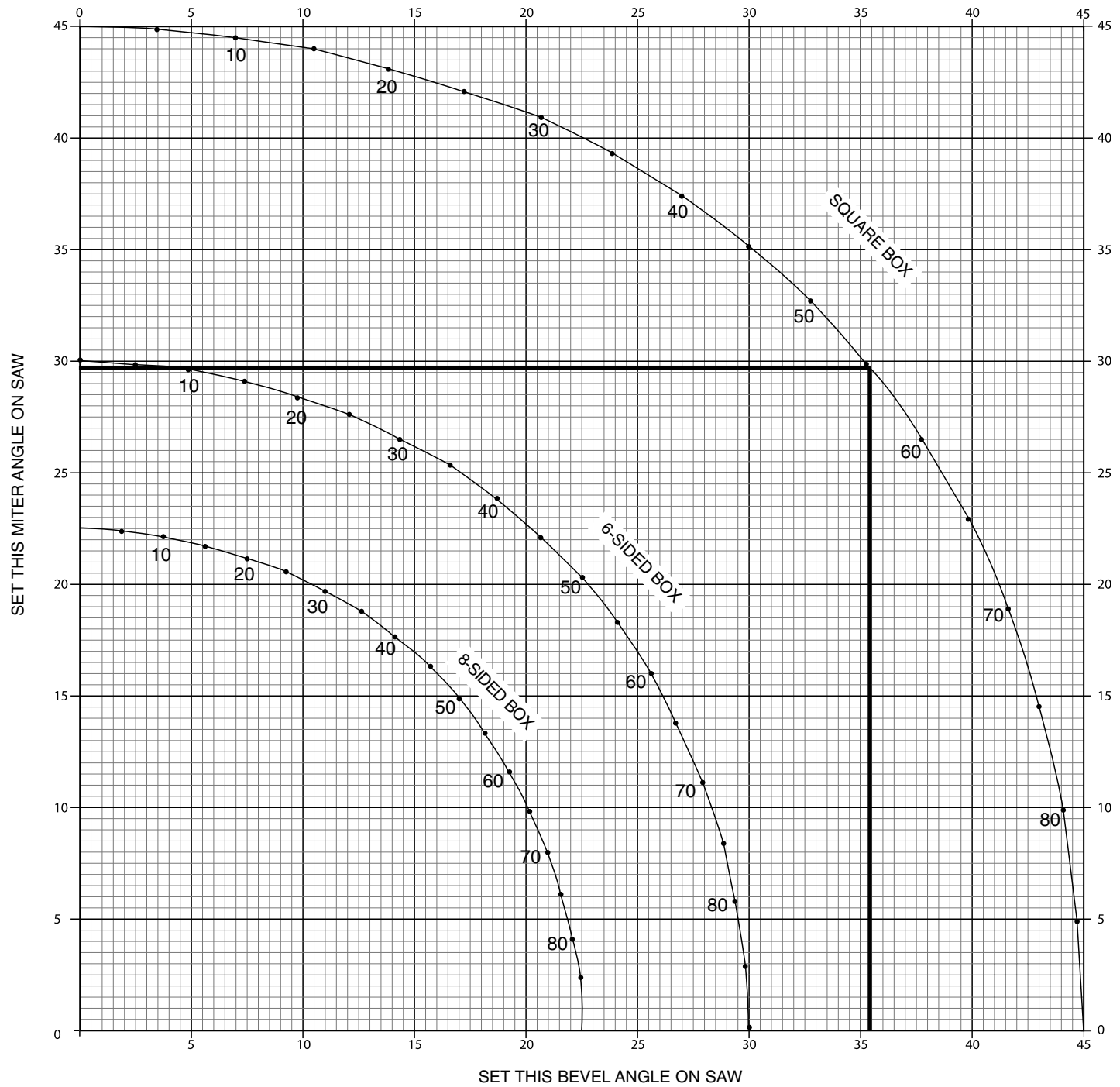
**TROUBLE! MATERIAL PINCHES BLADE****WHAT'S WRONG?**

1. Cutting bowed material

**WHAT TO DO...**

1. Position bowed material as shown on page 13.

TABLE 1 COMPOUND MITER CUT (position wood with broad flat side on the table and the narrow edge against the fence)





## TABLE DES MATIÈRES

INSTRUCTIONS RELATIVES À LA DOUBLE ISOLATION ET À LA FICHE POLARISÉE.....	17	COMMANDES .....	24
RÈGLES DE SÉCURITÉ POUR TOUS LES OUTILS .....	17	FONCTIONNEMENT .....	24
RÈGLES DE SÉCURITÉ SUPPLÉMENTAIRES.....	18	INTERRUPTEUR .....	24
CONNEXION ÉLECTRIQUE .....	18	DÉCOUPE À L'AIDE DE VOTRE SCIE .....	24
ACCESSOIRES .....	18	COUPES TRANSVERSALES.....	24
DESCRIPTIONS DE LA LAME .....	20	COUPES EN BISEAU .....	25
DÉSEMBALLAGE DE VOTRE SCIE.....	20	QUALITÉ DE COUPE .....	25
SPÉCIFICATIONS .....	20	POSITION DU CORPS ET DES MAINS .....	25
FAMILIARISATION.....	20	FIXATION DE LA PIÈCE.....	25
MONTAGE SUR ÉTABLI .....	20	SOUTIEN DES PIÈCES LONGUES.....	26
CHANGEMENT OU POSE D'UNE NOUVELLE LAME .....	21	DÉCOUPE DE CADRES, DE COFFRAGES ET D'AUTRES OBJETS À QUATRE FACES.....	26
TRANSPORT DE LA SCIE.....	22	DÉCOUPE DE MOULURES DE GARNISSAGE ET D'AUTRES CADRES .....	26
RÉGLAGES .....	22	DÉCOUPE À ONGLETS MIXTES .....	26
RÉGLAGE DE L'ÉCHELLE D'ONGLETS.....	22	ÉCHELLE À VERNIER .....	26
RÉGLAGE DU POINTEUR D'ONGLETS.....	22	DÉCOUPE DE MOULURE D'EMBASE .....	27
BISEAU EN ÉQUERRE AVEC LA TABLE .....	22	DÉCOUPE DE MOULURE COURONNÉE .....	27
POINTEUR DE BISEAU .....	22	DÉCOUPES SPÉCIALES .....	28
RÉGLAGE DE LA BUTÉE DU BISEAU .....	23	DÉPOSE ET REMPLACEMENT DE LA COURROIE.....	29
RÉGLAGE DU GUIDE .....	23	ENTRETIEN .....	30
GUIDE AUXILIAIRE.....	23	GARANTIE .....	30
FREIN ÉLECTRIQUE AUTOMATIQUE .....	23	GUIDE DE DÉPANNAGE .....	31
ACTIVATION ET VISIBILITÉ DU PARE-MAIN .....	23	TABLEAU 1 : DÉCOUPE À ONGLETS MIXTES .....	32
RÉGLAGE DU DISPOSITIF DE VERROUILLAGE DE L'ONGLET.....	23		
BROSSES .....	24		

EN CAS DE QUESTIONS OU DE COMMENTAIRES SUR CET OUTIL OU SUR TOUT AUTRE OUTIL DeWALT, NOUS APPELER SANS FRAIS AU NUMÉRO SUIVANT : **1-800-4-DeWALT (1-800-433-9258)**

## Directives de sécurité importantes

**AVERTISSEMENT** : Si des outils électriques sont utilisés, des précautions de base en matière de sécurité doivent être suivies afin de réduire le risque d'incendie, de choc électrique et de blessure corporelle, notamment les suivantes :

### LIRE TOUTES CES DIRECTIVES

#### Double isolation

Les outils à double isolation comportent partout deux couches d'isolation électrique séparées ou une double épaisseur de matériau isolant entre l'opérateur et le système électrique de l'outil. Les outils comportant ce système d'isolation ne sont pas conçus pour être mis à la terre. Votre outil est donc équipé d'une prise à deux broches qui vous permet d'utiliser des cordons d'alimentation sans vous soucier de maintenir une connexion à la terre.

**REMARQUE** : La double isolation ne remplace pas les précautions normales de sécurité lors de l'utilisation de cet outil. Le système d'isolation sert à apporter une protection accrue contre toute blessure résultant d'une défaillance d'isolation électrique au sein de l'outil.

**MISE EN GARDE** : EN CAS DE RÉPARATION, UTILISER UNIQUEMENT DES PIÈCES DE RECHANGE IDENTIQUES. Réparer ou remplacer les cordons endommagés.

#### Fiches polarisées

Certains appareils comportent des fiches polarisées (c'est-à-dire qu'une lame est plus large que l'autre) afin de réduire le risque de choc électrique. Lorsqu'elle est présente, cette fiche ne se branche que d'une seule façon dans une prise de courant polarisée. Si la fiche ne s'insère pas totalement dans la prise de courant, l'inverser. Si elle ne s'insère toujours pas dans la prise, demander à un électricien compétent d'installer une fiche polarisée. Ne pas remplacer la fiche.

#### Règles de sécurité pour tous les outils

- **MAINTENIR LE PARE-MAIN EN PLACE** et en état de fonctionnement.
- **RETIRER LES CLÉS ET LES CLÉS DE RÉGLAGE.** S'habituer à vérifier si les clés et les clés de réglage sont retirées de la broche avant de mettre l'outil sous tension.
- **GARDER PROPRE LA ZONE DE TRAVAIL.** Les zones et établis encombrés sont souvent des causes d'accidents.
- **NE PAS UTILISER CET OUTIL DANS UN ENVIRONNEMENT DANGEREUX.** Ne pas utiliser d'outils électriques dans des endroits humides ou mouillés et ne pas les exposer à la pluie ou à la neige. Garder la zone de travail bien éclairée.
- **TENIR LES ENFANTS À L'ÉCART.** Tous les visiteurs doivent se trouver à une distance sûre de la zone de travail.
- **S'ASSURER QUE L'ATELIER NE PRÉSENTE PAS DE DANGER POUR LES ENFANTS** en utilisant des cadenas, des interrupteurs principaux ou en retirant les clés de démarrage.
- **NE PAS FORCER L'OUTIL.** Il effectuera mieux son travail et de manière plus sûre à la vitesse pour laquelle il a été conçu.
- **UTILISER L'OUTIL APPROPRIÉ.** Ne pas forcer un outil ou un accessoire à effectuer un travail pour lequel il n'a pas été conçu.
- **PORTER LES VÊTEMENTS APPROPRIÉS.** Ne pas porter ni vêtement ample, ni gant, ni cravates, ni bague, ni bracelet, ni autre bijou, car ces derniers pourraient s'enchevêtrer dans des pièces mobiles. Des souliers antidérapants sont recommandés. Se couvrir les cheveux s'ils sont longs. Se tenir éloigné des événements, car ces derniers pourraient camoufler des pièces mobiles.

- **TOUJOURS PORTER DES LUNETTES DE SÉCURITÉ.** Utiliser également un masque facial ou anti-poussière si l'opération de découpe génère de la poussière. Les lunettes ordinaires ne comportent que des lentilles résistant aux chocs, ce ne sont PAS des lunettes de sécurité. Tous les utilisateurs et spectateurs doivent porter une protection oculaire conforme à la norme ANSI Z87.1. (CAN/CSA Z94.3).
- **FIXER LA PIÈCE.** Utiliser des fixations ou un étau lorsque la pièce ne peut pas être fixée manuellement sur la table et contre le guide, ou lorsque votre main se trouve dangereusement proche de la lame (à moins de 15 cm (6 po)).
- **NE PAS TROP TENDRE LES BRAS.** Conserver son équilibre en tout temps.
- **PRENDRE SOIN DES OUTILS.** S'assurer que vos outils sont aiguisés et propres afin d'optimiser sécurité et performance. Suivre les consignes de graissage et de changement d'accessoires.
- **DÉBRANCHER LES OUTILS** avant de les réparer et de changer des accessoires tels que lames, mèches, couteaux, etc.
- **RÉDUIRE LE RISQUE DE DÉMARRAGE ACCIDENTEL.** S'assurer que l'interrupteur est en position ARRÊT avant de brancher l'outil.
- **UTILISER LES ACCESSOIRES RECOMMANDÉS.** Une liste des accessoires recommandés se trouve dans le mode d'emploi. L'utilisation d'accessoires incorrects peut entraîner un risque de blessure corporelle.
- **NE JAMAIS SE TENIR SUR L'OUTIL.** Une blessure grave pourrait se produire en cas de basculement de l'outil ou de démarrage accidentel de l'outil de découpe.
- **VÉRIFIER LES PIÈCES ENDOMMAGÉES.** Avant toute utilisation ultérieure de l'outil, un pare-main (ou une autre pièce) endommagé doit être soigneusement examiné afin de déterminer s'il fonctionnera correctement et remplira sa fonction prévue - vérifier l'alignement des pièces mobiles, la présence de grippage des pièces mobiles, de rupture de pièce, la fixation et tout problème pouvant nuire au fonctionnement de l'outil. Un pare-main (ou tout autre pièce) endommagé doit être réparé et remplacé adéquatement. Ne pas utiliser l'outil si l'interrupteur ne fonctionne pas.
- **NE JAMAIS LAISSER L'OUTIL FONCTIONNER SANS SURVEILLANCE. ÉTEINDRE L'APPAREIL.** Ne pas laisser l'outil tant qu'il n'est pas complètement arrêté.
- **NE PAS UTILISER D'OUTILS ÉLECTRIQUES À PROXIMITÉ DE LIQUIDES INFLAMMABLES OU DANS UNE ATMOSPHÈRE GAZEUSE OU EXPLOSIVE.** Les moteurs de ces outils peuvent provoquer des étincelles et enflammer des vapeurs.
- **RALLONGES ÉLECTRIQUES.** S'assurer que la rallonge électrique est en bon état. Lorsque qu'une rallonge électrique est utilisée, s'assurer d'en utiliser une de calibre suffisamment élevée pour assurer le transport du courant nécessaire au fonctionnement de votre appareil. Un cordon de calibre inférieur causera une chute de tension de ligne et donc une perte de puissance et une surchauffe. Le tableau suivant indique le calibre approprié à utiliser selon la longueur du cordon et l'intensité nominale de la plaque signalétique. En cas de doute, utiliser le calibre suivant le plus gros. Plus le numéro de calibre est petit, plus le cordon est lourd.

#### Calibre minimal des cordons de rallonge

Tension	Longueur totale du cordon en mètres			
120 V	De 0 à 7	De 7 à 15	De 15 à 30	De 30 à 45
240 V	De 0 à 7	De 7 à 15	De 15 à 39	De 30 à 45

Intensité (A)		Calibre moyen de fil			
Au moins	Au plus				
0	- 6	18	16	16	14
6	- 10	18	16	14	12
10	- 12	16	16	14	12
12	- 16	14	12	Non recommandé	

## Règles de sécurité supplémentaires pour les scies à onglets

**▲ MISE EN GARDE : NÉGLIGER DE SE CONFORMER À CES AVERTISSEMENTS POURRAIT ÊTRE LA CAUSE DE BLESSURES CORPORELLES ET DE DOMMAGES IMPORTANTS À LA SCIE.**

- IL FAUT - protéger la ligne d'alimentation électrique avec un fusible à temporisation ou un disjoncteur de 15 ampères.
- IF FAUT - vous assurer que la lame tourne dans le sens adéquat et que les dents situées au bas de la lame pointent vers l'arrière de la scie à onglets.
- IL FAUT - vous assurer que toutes les poignées de fixation sont bien serrées avant de commencer toute utilisation de l'outil.
- IL FAUT - vous assurer que la lame et toutes les rondelles de fixation sont propres et que les faces en retrait des collets sont situées contre la lame. Bien serrer les vis de l'axe.
- IL FAUT - maintenir aiguisée la lame de la scie.
- IL FAUT - dégager les événements de toute saleté ou copeau.
- IL FAUT - toujours utiliser le pare-main.
- IL FAUT - garder les mains hors de la trajectoire de la lame de la scie.
- IL FAUT - mettre l'appareil sous tension, déconnecter le cordon de la source d'alimentation et attendre que la lame de la scie s'arrête avant de réparer ou de régler l'outil.
- IL FAUT - soutenir les longues pièces avec un support d'outil extérieur.
- IL NE FAUT PAS - essayer d'utiliser l'appareil avec une tension autre que celle indiquée.
- IL NE FAUT PAS - utiliser l'appareil si toutes les poignées de fixation ne sont pas serrées.
- IL NE FAUT PAS - utiliser des lames plus grandes ou plus petites que celles recommandées.
- IL NE FAUT PAS - adosser quoi que ce soit au ventilateur pour soutenir l'arbre moteur.
- IL NE FAUT PAS - forcer la découpe. (Un blocage partiel ou complet du moteur peut causer des dégâts majeurs. Laisser le moteur atteindre son plein régime avant de commencer la découpe).
- IL NE FAUT PAS - couper de métaux ferreux (c'est-à-dire comportant du fer ou de l'acier) ou tout élément de maçonnerie.
- IL NE FAUT PAS - utiliser de meule abrasive. La chaleur excessive et les particules abrasives qu'elles génèrent endommageraient la scie.
- IL NE FAUT PAS - laisser qui que ce soit se tenir derrière la scie.
- IL NE FAUT PAS - appliquer de lubrifiant sur la lame lorsqu'elle est en fonctionnement.
- IL NE FAUT PAS - placer une main à proximité de la lame lorsque la scie est branchée au bloc d'alimentation.
- IL NE FAUT PAS - utiliser de lames classées à moins de 4800 tr/min.
- IL NE FAUT PAS - couper de petites pièces sans fixation. Garder les mains à au moins 15 cm (6 po) de la lame.
- IL NE FAUT PAS - faire fonctionner la scie sans que le pare-main soit en place.
- IL NE FAUT PAS - utiliser l'outil en aucune manière à main levée.
- IL NE FAUT PAS - passer les mains autour de la lame ou derrière celle-ci.
- IL NE FAUT PAS - placer les mains à moins de 15 cm (6 po) de la lame de la scie.
- IL NE FAUT PAS - passer les mains sous la scie sauf si elle est hors tension et débranchée. La lame est exposée dans la partie inférieure de la scie.
- IL NE FAUT PAS - déplacer une main de la scie à la pièce ou lever le bras jusqu'à ce que la lame se soit arrêtée.
- IL NE FAUT PAS - utiliser de graisse ou de produit nettoyant (en particulier pulvérisateur ou aérosol) à proximité du pare-main en plastique. Certains produits chimiques peuvent attaquer le matériau de polycarbonate dont il est constitué.

- Ne jamais utiliser l'outil sans la plaque du trait de scie et remplacer cette dernière lorsqu'elle est endommagée, car une accumulation de petits copeaux sous la scie pourrait nuire à la lame ou rendre la pièce instable lors de la découpe.

**▲ MISE EN GARDE : Ne pas brancher l'appareil à une source d'alimentation électrique avant d'avoir complètement lu et compris les instructions.**

**▲ MISE EN GARDE : Porter un dispositif de protection anti-bruit pendant l'utilisation de l'outil.** Dans certaines conditions et selon la durée d'utilisation, le bruit causé par ce produit peut contribuer à une perte auditive.

**▲ AVERTISSEMENT : Certaines poussières produites par les activités de ponçage, de sciage, de meulage, de perçage et autres activités de construction peuvent contenir des produits chimiques pouvant causer le cancer, des anomalies congénitales ou d'autres problèmes liés aux fonctions reproductrices. Voici quelques exemples de ces produits chimiques :**

- le plomb contenu dans les peintures à base de plomb;
- la silice cristalline de la brique, du ciment et d'autres produits de maçonnerie; et
- l'arséniat de cuivre et de chrome provenant du bois traité chimiquement.

Les risques liés à l'exposition à ces poussières varient selon la fréquence à laquelle vous travaillez avec ce type de matériaux. Afin de réduire votre exposition à ces produits chimiques : travailler dans un endroit bien ventilé et porter un équipement de sécurité approuvé comme un masque anti-poussières conçu spécialement pour filtrer les particules microscopiques.

- **Éviter le contact prolongé avec les poussières produites par les activités de ponçage, sciage, meulage, perçage et autres activités de construction. Porter des vêtements de protection et laver les parties du corps exposées avec une solution d'eau et de savon.** Le fait de laisser la poussière pénétrer dans la bouche et les yeux ou de la laisser reposer sur la peau, peut promouvoir l'absorption de produits chimiques nocifs.

**▲ AVERTISSEMENT : L'utilisation de cet outil peut produire ou propulser des poussières qui pourraient causer des problèmes respiratoires graves et permanents ou d'autres problèmes médicaux. Toujours porter un appareil respiratoire approuvé par la NIOSH/OSHA pour se protéger de la poussière. Diriger les particules loin du visage et du corps.**

Pour plus de commodité et de sécurité, les étiquettes de sécurité suivantes sont apposées sur votre scie à onglet.

### SUR LE BOÎTIER DU MOTEUR :

**▲ AVERTISSEMENT : POUR SA PROPRE SÉCURITÉ, LIRE LE MODE D'EMPLOI AVANT D'UTILISER LA SCIE.**

**EN CAS DE RÉPARATION, UTILISER UNIQUEMENT DES PIÈCES DE RECHANGE IDENTIQUES.**

**NE PAS EXPOSER LA SCIE À LA PLUIE ET NE PAS L'UTILISER DANS UN ENDROIT HUMIDE.**

**TOUJOURS PORTER UNE PROTECTION OCULAIRE**

### SUR LES GUIDES MOBILES :

**TOUJOURS RÉGLER CORRECTEMENT LE GUIDE AVANT UTILISATION. Fixer les petites pièces avant de les découper. Voir le manuel.**

### SUR LE PARE-MAIN :

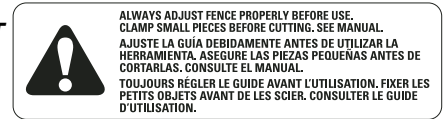
**DANGER - RESTER À L'ÉCART DE LA LAME.**

### SUR LE PARE-MAIN SUPÉRIEUR :

**BIEN FIXER LE SUPPORT AVEC LES DEUX VIS AVANT D'UTILISER L'OUTIL.**

### SUR LA TABLE : (À 2 ENDROITS)

**TOUJOURS BIEN SERRER LES POIGNÉES DE RÉGLAGE AVANT UTILISATION. GARDER LES MAINS À 15 CM (6 PO) DE LA TRAJECTOIRE DE LA LAME DE LA SCIE.**



**DANGER PELIGRO**

KEEP AWAY FROM BLADE  
MANTENERS ALEJADO DE LA HOJA  
S'ÉLOIGNER DE LA LAME



**NE JAMAIS EFFECTUER AUCUNE OPÉRATION À MAIN LEVÉE.  
NE JAMAIS PASSER LES BRAS DEVANT LA LAME.  
IL SUFFIT DE RÉFLÉCHIR! DES ACCIDENTS PEUVENT ÊTRE ÉVITÉS.  
NE PAS UTILISER LA SCIE SANS QUE LES PARE-MAINS NE SOIENT EN PLACE. ÉTEINDRE L'OUTIL, MAINTENIR LA TÊTE DE LA SCIE VERS LE BAS ET ATTENDRE L'ARRÊT DE LA SCIE AVANT DE DÉPLACER LES MAINS, LA PIÈCE OU DE MODIFIER LES RÉGLAGES.  
DÉBRANCHER L'OUTIL AVANT DE CHANGER DE LAME, DE DÉPLACER OU DE RÉPARER L'APPAREIL.**

SUR LE SOCLE :



### Connexion électrique

S'assurer que le bloc d'alimentation est compatible avec l'inscription de la plaque signalétique. 120 volts, c.a. signifie que votre scie fonctionne en courant alternatif. L'interrupteur est susceptible de panne en cas d'utilisation de courant continu. Une diminution de tension de 10 pour cent ou plus risque de causer une perte de puissance et une surchauffe. Tous les outils DEWALT sont testés en usine. Si cet outil ne fonctionne pas, vérifier l'alimentation.

### Accessoires

Les accessoires recommandés pour être utilisés avec votre outil sont disponibles chez votre concessionnaire local.

**▲ MISE EN GARDE :** L'utilisation de tout accessoire non recommandé, notamment les ensembles d'engravage, les outils de coupe de moulures ou les meules abrasives risque d'être dangereuse.

Si toute assistance est nécessaire pour trouver tout accessoire, écrire à DEWALT Industrial Tool Co., 701 East Joppa Road, Baltimore, MD 21286, États-Unis, composer le 1(800) 4-DEWALT (1-800-433-9258) ou visiter notre site Web à [www.dewalt.com](http://www.dewalt.com).

### Accessoires facultatifs

Les accessoires suivants, conçus pour votre scie, peuvent vous être utiles. Dans certains cas, d'autres supports d'ouvrage, butées réglables, fixations, etc. peuvent être plus appropriés. Faire attention lors du choix et de l'utilisation d'accessoires.

#### Système guidé par laser : DW7187

Le laser est vendu séparément par les centres de réparation DEWALT et votre détaillant de rénovation domiciliaire. Les instructions d'installation sont fournies avec l'accessoire. Lire et respecter toutes les consignes pour installer et utiliser l'accessoire en toute sécurité.

#### Extension, support de pièce : DW7080

Le support de pièce est utilisé pour soutenir de longues pièces qui dépassent. Il est assemblé par l'utilisateur. Votre table à scier est conçue pour accepter deux supports de pièces, un de chaque côté.

#### Butée réglable : DW7051

Nécessite l'utilisation d'un support de pièce (page 20). Elle sert à effectuer des découpes répétitives de même longueur (comprise entre 0 et 106 cm (0 et 42 po)).

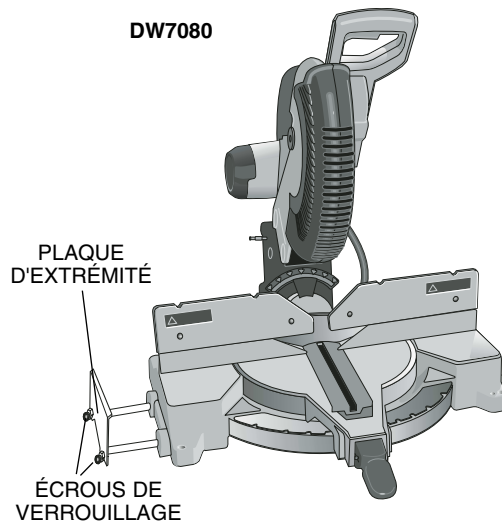
#### Bride de fixation : DW7082

Sert à fixer fermement la pièce sur la table à scier pour une découpe de précision.

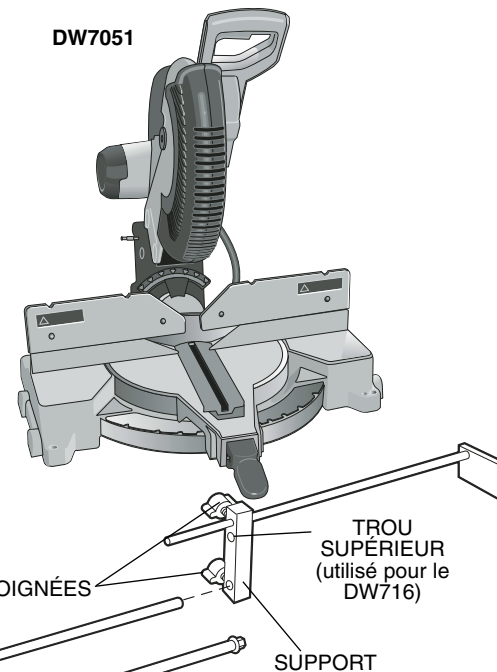
#### Sac à poussière : DW7053 (livré avec certains modèles)

Équipé d'une fermeture à glissière pour un vidage facile, le sac à poussière capture la plus grande partie de la sciure produite (non illustré).

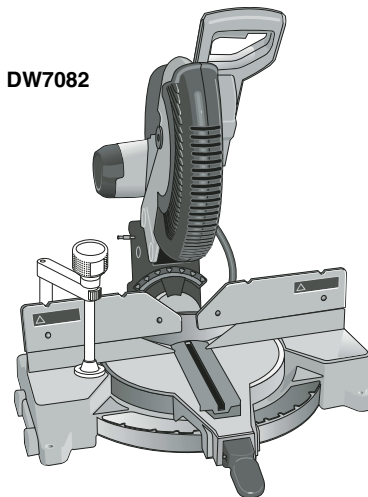
DW7080



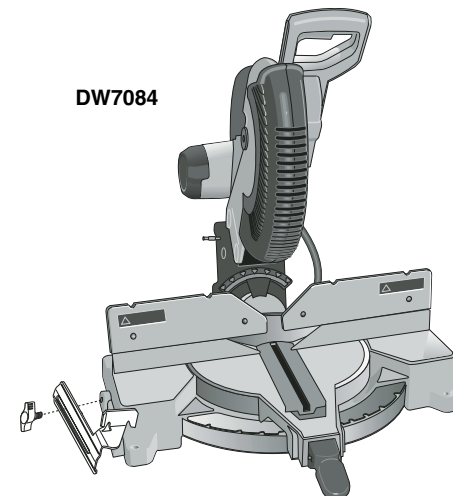
DW7051



DW7082



DW7084





**REMARQUE :** Un déflecteur logé sur le bec verseur du sac achemine les débris au sol. Le bec est doté d'un dispositif lui permettant de fixer un tuyau d'aspirateur pour ramasser la sciure. Soulever le bec pour raccorder le tuyau.

**Guide de moulures couronnées : DW7084**

Sert pour la découpe de précision de moulures couronnées.

**Ébauche de plaque de trait de scie : DW7055**

Sert à limiter le détachement de la face arrière du matériau ou sert de plaque de trait de scie de rechange.

**LAMES DE SCIE :** TOUJOURS UTILISER DES LAMES DE SCIE DE 30 CM (12 PO) AVEC DES TROUS D'AXE DE 2,5 CM (1 PO). L'INDICE DE VITESSE DOIT ÊTRE AU MOINS DE 4800 TR/MIN. Ne jamais utiliser de lame de diamètre inférieur. Le pare-main ne serait pas adéquat.

DESCRIPTION DES LAMES				
APPLICATION	N° DE MODÈLE	DIAMÈTRE	DENTS	DENT AFFÛTAGE
<b>Lames de scie de construction</b> ( <i>fin trait de scie avec côté anticollant</i> )				
Polyvalente	DW3123	12 po	32	ATB (pointe biseautée en alternance)
Tronçonnage fin	DW3126	12 po	60	ATB
Tronçonnage fin	DW3128	12 po	80	ATB
<b>Lames de scie pour travail du bois</b> ( <i>fournissent des coupes propres et régulières</i> )				
Tronçonnage fin	DW7648	12 po	60	ATB
Tronçonnage fin	DW7649	12 po	80	ATB
Tronçonnage ultra-fin	DW7650	12 po	96	ATB
Bois lamellé	DW7661	12 po	80	TCG (pointes à double biseau)
Surface solide et plastiques	DW7668	12 po	80	Mod TCG (pointes à double biseau modifié)
Métaux non ferreux	DW7666	12 po	80	TCG

**Désemballage de la scie**

Vérifier le contenu de la boîte pliante de la scie à onglets pour s'assurer que toutes les pièces ont été livrées. En plus de ce mode d'emploi, la boîte pliante devrait contenir :

1. Une scie à onglets n° DW716.
2. Une lame de scie DeWALT de 30 cm (12 po) de diamètre.
3. Une clé de lame située dans la poche de clé illustrée à la figure 2.
4. Un sac à poussière DW7053 (certains modèles).

**Fiche technique**

**CAPACITÉ DE DÉCOUPE**

Onglet gauche ou droit à 50°

Biseau gauche ou droit à 48°

Onglet à 0°

Hauteur maximale 91,5 mm (3,6") Largeur résultante 183 mm (7,2")

Largeur maximale 200,7 mm (7,9") Hauteur résultante 73,7 mm (2,9")

Onglet à 45°

Hauteur maximale 91,5 mm (3,6") Largeur résultante 125 mm (4,9")

Largeur maximale 140 mm (5,5") Hauteur résultante 73,7 mm (2,9")

Biseau à 45° - gauche

Hauteur maximale 58,4 mm (2,3") Largeur résultante 188 mm (7,4")

Largeur maximale 200,7 mm (7,9") Hauteur résultante 48,3 mm (1,9")

45° bevel - Right

Largeur maximale 200,7 mm (7,9") Hauteur résultante 28 mm (1,1")

Hauteur maximale 40,6 mm (1,6") Largeur résultante 180,3 mm (7,1")

La scie est capable de découper des moulures de plinthes de 22,9 mm (0,9 po) d'épaisseur par 152,4 mm (6 po) de hauteur sur un onglet droit ou gauche à 45°.

**REMARQUE :** La scie est capable de découper de la manière suivante lorsqu'une procédure de configuration spéciale est suivie (voir Coupes spéciales).

Onglet à 0° hauteur de 38,1 mm (1,5")

largeur de 255 mm (10")

Onglet à 45° hauteur de 38,1 mm (1,5")

largeur de 190,5 mm (7,5")

**ENTRAÎNEMENT**

**Moteur 120 V**

1 675 W (entrée max.)

3 600 tr/min

Courroie trapézoïdale multiple

Frein électrique automatique

Moteur 15 ampères

Engrenages hélicoïdaux taillés

Roulements à rouleau

Lame en carbure

**Familiarisation**

La scie à onglets est entièrement assemblée dans la boîte pliante. Ouvrir la boîte et sortir la scie en la prenant par la poignée de transport commode, tel qu'il est illustré à la figure 1.

Placer la scie sur une surface lisse et plane telle qu'un établi ou une table solide.

Examiner la figure 2 pour se familiariser avec la scie et ses diverses pièces. La section concernant les réglages renverra à ces termes et il faut savoir quelles sont les différentes pièces et où elles se trouvent.

Enfoncer doucement la poignée de fonctionnement, puis tirer sur la broche de verrouillage comme le montre la figure 2. Relâcher doucement la pression descendante, puis tenir le bras en le laissant remonter à sa pleine hauteur. Utiliser l'épingle de verrouillage pour transporter la scie d'un endroit à l'autre. Pour déplacer la scie, toujours utiliser la poignée de transport ou les zones en retrait pour la main illustrées à la figure 2.

**Montage sur établi**

Les quatre pieds sont munis de trous pour faciliter le montage sur établi, tel qu'il est illustré à la figure 2 (deux trous de taille différente sont prévus afin de recevoir des vis de différentes tailles. Utiliser l'un des trous, il n'est pas nécessaire d'utiliser les deux.) Toujours fixer fermement la scie à une surface stable pour éviter tout mouvement. Pour améliorer la portabilité de l'outil, il peut être monté sur une pièce de contreplaqué de 1,2 cm (1/2 po) ou d'une épaisseur supérieure, qui peut à son tour être fixée à votre support de pièce ou déplacée vers un autre site de travail et fixée à nouveau.

**REMARQUE :** Si la scie doit être fixée à une pièce de contreplaqué, s'assurer que les vis de montage ne dépassent pas de la partie inférieure du bois. Le contreplaqué doit reposer à plat sur le support de la pièce. Lors de la fixation de la scie à toute surface de travail, ne la fixer que sur les brides de fixation où se situent les trous des vis de montage. L'utilisation des brides de fixation à tout autre endroit nuirait à coup sûr au fonctionnement adéquat de la scie.

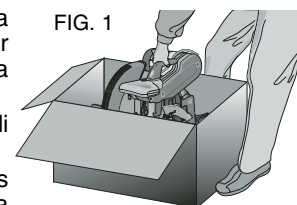
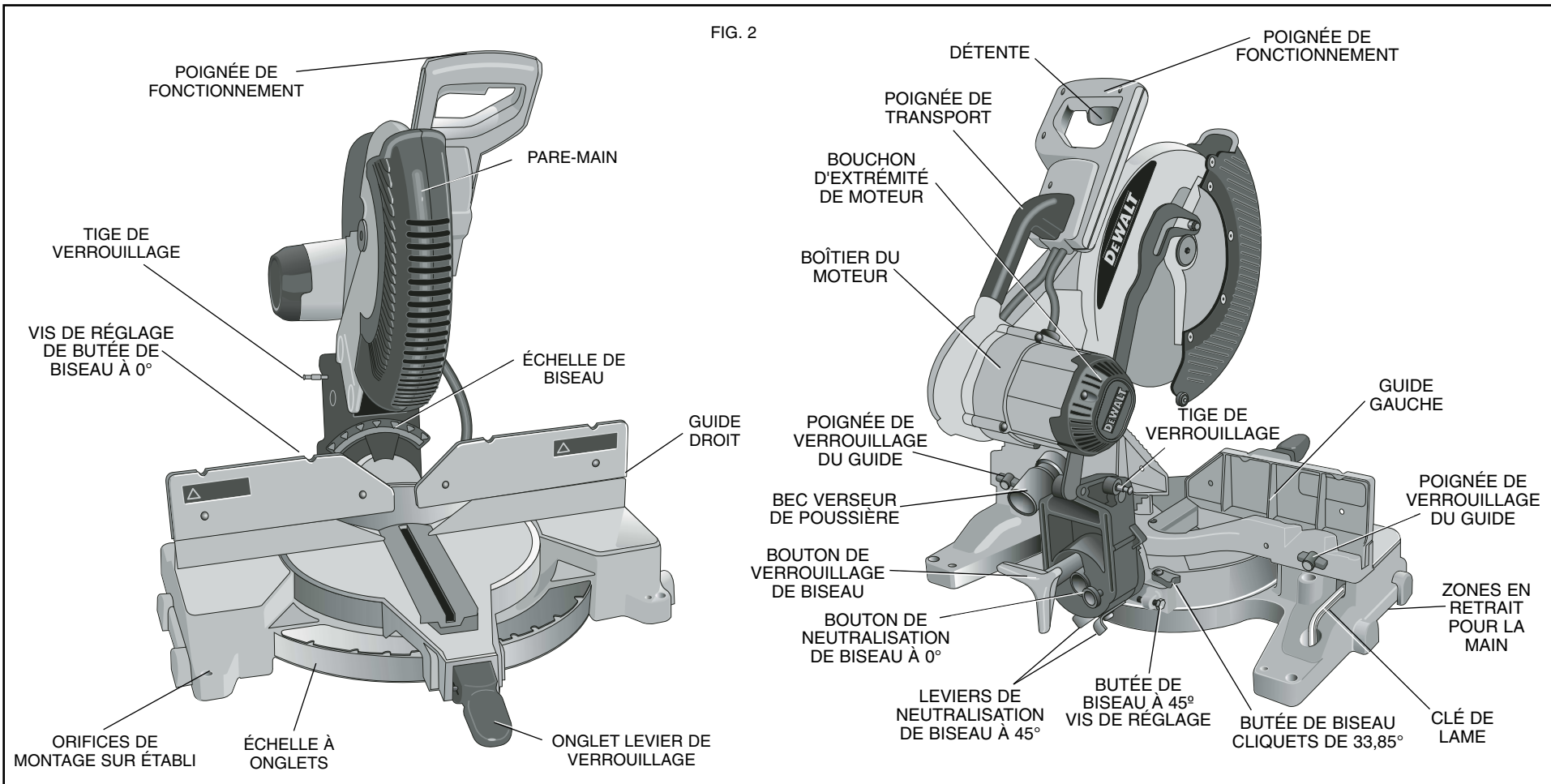


FIG. 1



**⚠ MISE EN GARDE :** Pour éviter tout grippage et manque de précision, s'assurer que la surface de montage n'est pas tordue et ne présente pas d'autre défaut. Si la scie bascule sur la surface, placer une pièce de matériau de faible épaisseur sous l'un des pieds de la scie, jusqu'à ce que cette dernière soit fermement assise sur la surface de montage.

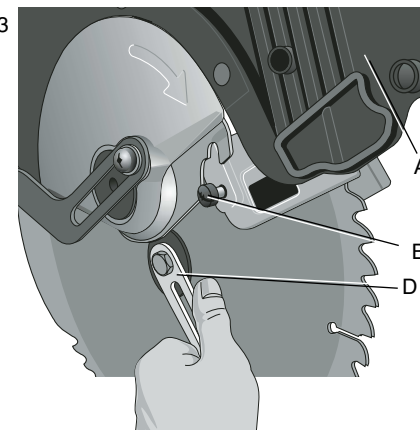
### **DIRECTIVES DE SÉCURITÉ IMPORTANTES**

#### **Changement ou pose d'une nouvelle lame de scie (figure 3)**

**⚠ MISE EN GARDE :**

- Ne jamais enfoncer le bouton de verrouillage de la broche lorsque la lame est sous tension ou qu'elle continue de tourner après l'arrêt de la scie.
- Ne pas couper du métal ferreux (contenant du fer ou de l'acier), de la maçonnerie ou du fibrociment avec cette scie à onglets.

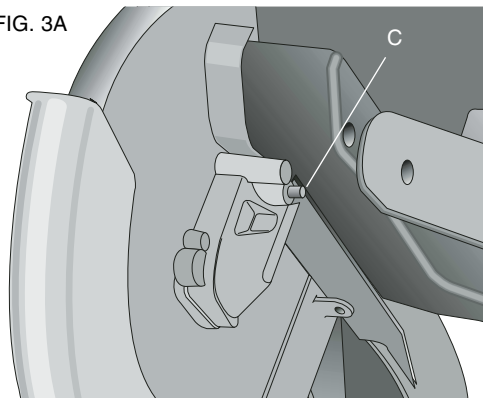
FIG. 3



## Dépose de la lame

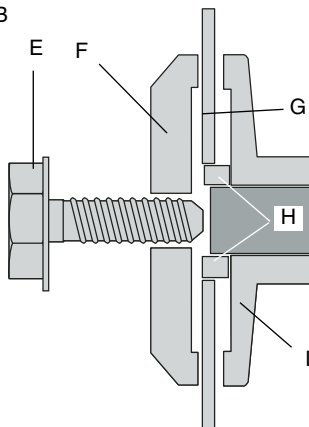
1. Débrancher la scie.
2. Soulever le bras jusqu'à la position supérieure, puis lever le pare-main (A) aussi haut que possible.
3. Desserrer la vis du support du pare-main (B) sans l'enlever de manière à ce que le support puisse être levé suffisamment haut pour accéder à la vis de la lame. Le pare-main inférieur demeurera levé en raison de la position de la vis du support de pare-main.

FIG. 3A



4. Enfoncer le bouton de verrouillage de la broche (C) tout en tournant la lame de scie manuellement de manière à engager le dispositif de verrouillage.
5. Maintenir le bouton enfoncé et utiliser l'autre main et la clé fournie (D) pour desserrer la vis de la lame. (Tourner dans le sens horaire, filets inversés)
6. Enlever la vis (E) de la lame, la rondelle de bride de fixation extérieure (F) et la lame (G). L'adaptateur de lame de 25,4 mm (1 po) (H), si utilisé, et la rondelle de bride de fixation intérieure (I) peuvent être laissés sur la broche.

FIG. 3B



**REMARQUE :** L'adaptateur de lame de 25,4 mm (1 po) n'est pas utilisé pour les lames dotées d'un trou de lame de 15,88 mm (5/8 po).

## Pose d'une lame

1. Débrancher la scie.
2. Le bras étant levé, le pare-main inférieur ouvert et le porte-pivot levé, poser la lame sur la broche, sur l'adaptateur de lame (si une lame à trou de 25,4 mm (1 po) est utilisée) et contre la rondelle de bride de fixation intérieure, les dents se trouvant au bas de la lame et pointant vers l'arrière de la scie.
3. Assembler la rondelle de bride de fixation extérieure sur la broche.
4. Poser la vis de la lame et, tout en engageant le bouton de verrouillage de la broche, serrer fermement la vis avec la clé fournie. (Tourner dans le sens antihoraire, filets inversés.)

**REMARQUE :** l'adaptateur de lame n'est pas utilisé pour les lames à trou de 15,88 mm (5/8 po) et doit être rangé dans un endroit sûr pour un usage ultérieur.

5. Remettre le support de pare-main à sa position d'origine, puis serrer fermement la vis du support de pare-main afin de maintenir en place le support.

### ⚠ AVERTISSEMENT :

- **Le support du pare-main doit être remis à sa position d'origine et la vis doit être serrée avant d'activer la scie.**
- **Négliger de le faire risque de faire entrer en contact le pare-main avec la lame de scie tournante et ainsi causer des dommages à la scie et des blessures corporelles graves.**

## Transport de la scie

**METTRE LA SCIE À ONGLETS HORS TENSION ET LA DÉBRANCHER AVANT DE LA DÉPLACER OU D'EFFECTUER QUELQUE RÉGLAGE QUE CE SOIT !**

Afin de transporter aisément la scie à onglets d'un endroit à l'autre, l'outil est doté d'une poignée de transport sur la partie supérieure du bras de la scie et de zones en retrait pour la main sur sa base, tel qu'il est illustré à la figures 2, 4.

FIG. 4



## Réglages

**AVANT D'EFFECTUER TOUT RÉGLAGE, DÉBRANCHER LA SCIE À ONGLETS.**

**REMARQUE :** La scie à onglets est réglée en usine de manière complète et précise au moment de sa fabrication. Si un nouveau réglage est requis à cause de l'expédition, du transport ou d'une autre raison, suivre la procédure suivante pour régler la scie :

Lorsque ces réglages ont été effectués, ils devraient conserver leur précision. Passer maintenant quelques instants à suivre ces directives attentivement afin de profiter de l'intégralité de la précision dont la scie est capable.

### RÉGLAGE D'ÉCHELLE À ONGLETS (FIG. 5)

Placer une équerre contre le guide de la scie et contre la lame. (Ne pas toucher aux extrémités des dents de scie avec l'équerre. Cela nuit à la précision des mesures.) Desserrer la poignée de blocage d'onglet et faire basculer le bras d'onglet jusqu'à ce que le loquet d'onglet le verrouille sur la position d'onglet 0. Ne pas bloquer le levier de verrouillage d'onglet (J). Si la lame de la scie n'est pas exactement perpendiculaire au guide, desserrer les trois vis fixant l'échelle à onglets à la base, puis déplacer l'échelle à gauche ou à droite de manière à ce que la lame soit perpendiculaire au guide, selon la mesure réalisée avec l'équerre. Resserrer les trois vis. Ne pas tenir compte actuellement du relevé du pointeur de l'onglet.

### RÉGLAGE DU POINTEUR D'ONGLET (FIG. 5, 6)

Pour le déverrouillage, soulever le levier de verrouillage d'onglet (J), puis serrer le loquet d'onglet (K) afin de déplacer le bras d'onglet à la position zéro. Après avoir desserré le levier de verrouillage de l'onglet, laisser le loquet de l'onglet s'enclencher en place au moment de régler le bras d'onglet à la position zéro. Observer le pointeur et l'échelle à onglets illustrés à la figure 6. Si le pointeur n'indique pas exactement zéro, desserrer la vis le maintenant en place, le repositionner et resserrer la vis.

### RÉGLAGE DU BISEAU EN ÉQUERRE AVEC LA TABLE (FIG. 7)

Pour aligner la lame en équerre avec la table rotative, verrouiller le bras en position basse. Mettre une équerre contre la lame

et faire attention à ce que l'équerre ne se retrouve pas au sommet d'une dent. Desserrer le bouton de verrouillage de l'onglet (L) et s'assurer que le bras est bien placé contre la butée du biseau de 0°. Déplacer la vis de réglage (T) de la butée de biseau 0° au besoin de manière à ce que la lame se trouve au biseau de 0° par rapport à la table.

### POINTEUR DE BISEAU (FIG. 7)

Si le pointeur de biseau (M) n'indique pas zéro, desserrer la vis qui le fixe en place et déplacer le pointeur au besoin. Ne pas retirer la plaque d'acier située devant le pointeur du biseau. Cette plaque empêche l'accumulation de résine de bois sur l'échelle de biseau durant l'utilisation de l'outil.

## RÉGLAGE DE LA BUTÉE DU BISEAU DE 45° À GAUCHE OU À DROITE (FIG. 8)

**REMARQUE :** Régler l'angle du biseau de 45° uniquement après avoir réglé l'angle du biseau de 0° et du pointeur. S'assurer que les leviers de neutralisation de biseau à 45° (N) sont enfoncés pour obtenir un réglage exact.

Pour régler l'angle droit de biseau à 45°, desserrer le bouton de verrouillage du biseau (L), puis tirer le bouton de neutralisation de la butée de biseau (S) pour neutraliser la butée de biseau 0°. Lorsque la scie se trouve complètement à droite, si le pointeur n'indique pas avec exactitude 45°, tourner la vis (O) de la butée de biseau droit de manière à ce que le pointeur indique 45°.

Pour régler la butée du biseau de 45° à gauche, desserrer d'abord le bouton de blocage du biseau (L), puis incliner la tête vers la gauche. Si le pointeur n'indique pas avec exactitude 45°, tourner la vis de la butée du biseau à gauche de manière à ce que la lecture du pointeur soit de 45°.

## RÉGLAGE DE LA BUTÉE DU BISEAU À 33,85° (FIG. 8)

**REMARQUE :** Régler l'angle du biseau de 33,85° uniquement après avoir réglé l'angle du biseau de 0° et du pointeur.

Pour régler l'angle du biseau de 33,85°, faire pivoter le cliquet de butée (P). Desserrer le bouton de blocage du biseau (L), puis incliner la tête vers la gauche. Si le pointeur n'indique pas avec exactitude 33,85°, tourner la vis qui est en contact avec le cliquet de manière à ce que la lecture du pointeur soit de 33,85°.

Pour régler l'angle du biseau de 33,85°, faire pivoter le cliquet de butée (P). Desserrer le bouton de verrouillage du biseau (L), puis régler le bouton de neutralisation de la butée du biseau (S) pour neutraliser la butée du biseau 0°. Lorsque la scie se trouve complètement à droite, si le pointeur n'indique pas avec exactitude 33,85°, tourner la vis en contact avec el cliquet de manière à ce que le pointeur indique 33,85°.

## RÉGLAGE DU GUIDE

**Mettre la scie à onglets hors tension et la débrancher.**

Afin que la scie puisse biseauter à 48 degrés vers la gauche ou la droite, les guides peuvent être réglés pour assurer un dégagement suffisant. Pour régler le guide, desserrer le bouton de plastique (figure 8, R), puis glisser le guide vers l'extérieur. Effectuer un essai à blanc en laissant la scie hors tension et en vérifiant le dégagement. Régler le guide de sorte à être aussi proche de la lame que possible afin de fournir un soutien maximal à la pièce sans nuire aux mouvements du bras vers le haut et le bas. Bien serrer la poignée. Lorsque les opérations de biseautage sont terminées, ne pas oublier de remettre le guide en place.

FIG. 5

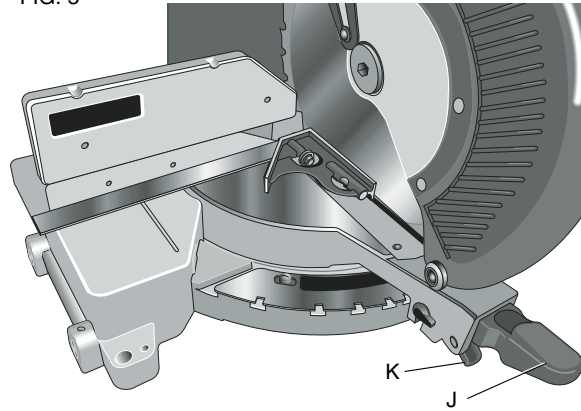


FIG. 6

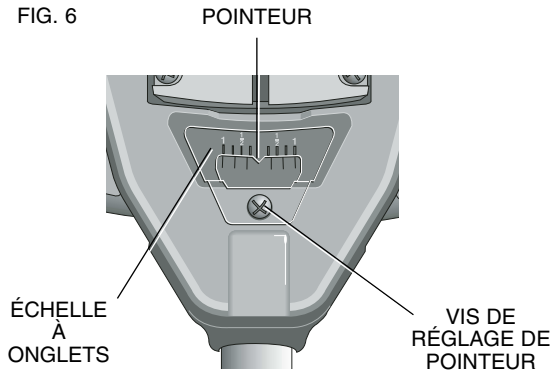
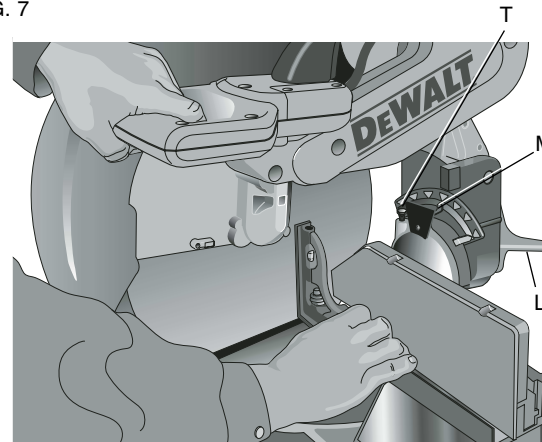


FIG. 7



**REMARQUE :** La rainure des guides peut être obstruée par de la sciure. Si cela se produit, utiliser un bâton ou de l'air à basse pression pour déboucher la rainure du guide.

**⚠ AVERTISSEMENT :** *Toujours porter une protection oculaire. Tous les utilisateurs et spectateurs doivent porter une protection oculaire conforme à la norme ANSI Z87.1. (CAN/CSA Z94.3).*

## FREIN ÉLECTRIQUE AUTOMATIQUE

Votre scie est équipée d'un frein de lame électrique automatique qui arrête la lame de la scie dans les 5 secondes qui suivent le relâchement de la détente. Cela n'est pas réglable.

Un délai peut parfois se produire entre le relâchement de la détente et l'engagement du frein. En de rares occasions, le frein peut ne pas s'engager du tout et la lame ralentira jusqu'à s'arrêter complètement.

Si un délai ou un « saut » se produit, allumer et éteindre la scie 4 ou 5 fois. Si le problème persiste, faire réparer l'outil par un centre de réparation agréé DEWALT.

Toujours s'assurer que la lame s'est arrêtée avant de la retirer du trait de scie. Le frein ne remplace pas les dispositifs de sécurité. S'assurer de sa propre sécurité en portant toute son attention à la scie.

## ACTIVATION ET VISIBILITÉ DU PARE-MAIN

Le pare-main de la lame de votre scie est conçu pour se soulever automatiquement lorsque le bras est descendu et pour s'abaisser par-dessus la lame lorsque le bras est levé.

Il est possible de soulever manuellement le pare-main lors de l'installation ou de la dépose de lames de scie ou pour inspecter la scie. **NE JAMAIS SOULEVER MANUELLEMENT LE PARE-MAIN DE LA LAME SI LA SCIE N'EST PAS HORS TENSION.**

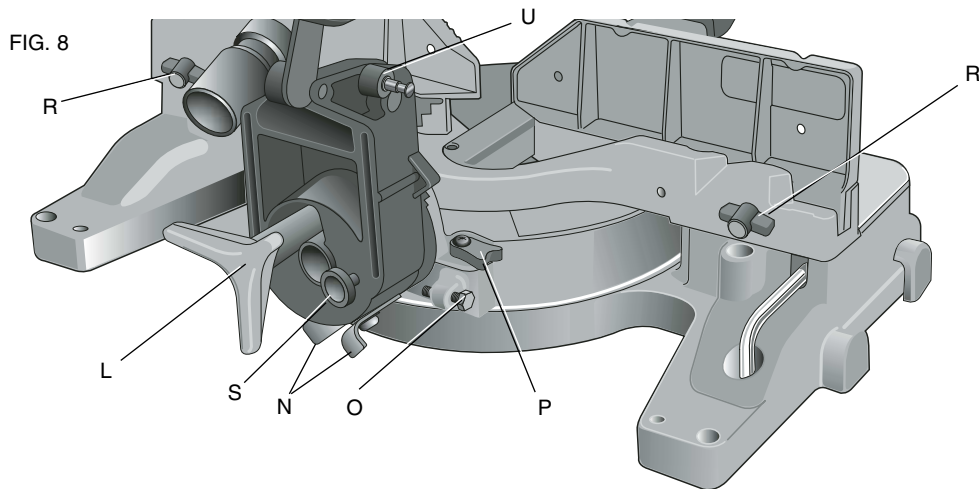
**REMARQUE :** Certaines découpes spéciales de matériaux de grande taille requièrent de soulever manuellement le pare-main. Voir page 29.

La partie frontale du pare-main est persiennée pour offrir plus de visibilité pendant la découpe. Bien que les persiennes réduisent radicalement les projections de débris, il s'agit d'ouvertures dans le pare-main; il faut donc toujours porter des lunettes de sécurité au moment de regarder au travers des persiennes.

## RÉGLAGE DU DISPOSITIF DE VERROUILLAGE DE L'ONGLET (FIG. 11)

La barre de verrouillage de l'onglet doit être réglée s'il est possible de déplacer la table de la scie lorsque la poignée de verrouillage de l'onglet est verrouillée. Pour le réglage, Mettre la poignée de verrouillage de l'onglet à la position de hauteur. Au moyen d'une clé hexagonale





de 0,24 cm (3/32 po), desserrer la vis pression (W) logée dans l'axe d'articulation. Au moyen d'un tournevis à fente, régler la barre de blocage pour augmenter sa force, par progression de 1/8 de tour dans le sens horaire. Pour assurer le bon fonctionnement du dispositif de verrouillage de l'onglet, verrouiller de nouveau la poignée de verrouillage de l'onglet à un angle d'onglet sans cran d'arrêt. Serrer la vis pression.

### Balais DÉBRANCHER LA FICHE DU BLOC D'ALIMENTATION.

Inspecter régulièrement les balais de carbone : débrancher l'outil, enlever le capuchon du moteur (fig. 2) soulever le ressort du balai et retirer l'ensemble du balai. S'assurer que les balais sont propres et qu'ils glissent librement dans leurs guides. Toujours replacer dans son support un balai utilisé dans le sens où il se trouvait avant d'être retiré. Plusieurs symboles sont marqués sur les côtés des balais de carbone; un balai doit être remplacé lorsqu'il est usé d'environ 12 mm (1/2 po), car le ressort n'exerce plus de pression. N'utiliser que des balais DeWalt identiques. Il est essentiel pour un fonctionnement correct du frein électrique d'utiliser la classe adéquate de balai. De nouveaux ensembles de balais sont disponibles auprès des centres de réparation DEWALT. Laisser l'outil « tourner à blanc » (tourner sans charge) pendant 10 minutes pour qu'un balais neuf se positionne correctement. Le frein électrique peut ne pas fonctionner correctement tant que les balais ne sont pas correctement positionnés (usés). Toujours remplacer le capuchon d'inspection du balai après avoir inspecté ou réparé un balai.

Lors d'un « fonctionnement à blanc », NE PAS ATTACHER NI FIXER AU MOYEN DE RUBAN ADHÉSIF ET NE PAS VERROUILLER D'UNE AUTRE MANIÈRE LA DÉTENTE EN POSITION MARCHE. NE LA TENIR QU'À LA MAIN.

## Commandes

La scie à onglets mixtes est dotée de plusieurs commandes, qui sont brièvement évoquées ici. Pour plus de renseignements au sujet de ces commandes, consulter plus loin dans le manuel les rubriques respectives.

### COMMANDE D'ONGLET (FIG. 5)

Le dispositif de verrouillage de l'onglet/levier de réglage et la gâchette permettent de régler l'onglet de votre scie à un angle de 50° à gauche ou à droite. Pour régler l'onglet de la scie, déverrouiller le levier de verrouillage de l'onglet (J) en le relevant, puis serrer la gâchette (K) et régler l'angle de l'onglet désiré sur l'échelle à onglets. Verrouiller la poignée de verrouillage de l'onglet en y appliquant une pression. Neutraliser la gâchette en tournant le bouton (fig. 10, V).

### DÉTENTE (FIG. 2)

La détente permet d'allumer et d'éteindre la scie. Elle est dotée d'un orifice afin de pouvoir y insérer un cadenas pour mettre en sûreté la scie.

### VERROUILLAGE DE BISEAU (FIG. 8)

Le bouton de verrouillage du biseau permet de régler la scie à un angle de biseau de 48° à gauche ou à droite. Pour desserrer la poignée et régler le biseau, tourner la poignée dans le sens antihoraire, la tête de la scie peut facilement biseauter à gauche ou à droite après avoir tiré le bouton de neutralisation du biseau 0° (S). Pour le serrage, tourner la poignée dans le sens horaire. Les repères des degrés de biseau figurent dans la partie inférieure avant du bras de scie (fig. 7, M).

### NEUTRALISATION DU BISEAU 0° (FIG. 8)

La neutralisation de la butée du biseau (S) permet à la scie de biseauter à droite, après le repère 0°

La scie s'arrêtera automatiquement à 0° lorsqu'elle provient de la gauche. Pour un déplacement à droite, après 0°, tirer le bouton de butée du biseau. Le bouton de butée peut être verrouillé en tirant le bouton et en le tournant de 180°.

### DISPOSITIFS DE NEUTRALISATION DE LA BUTÉE DU BISEAU 45° (FIG. 8)

Les dispositifs de neutralisation de la butée du biseau (N) sont maintenus fixés par leur vis de fixation pour éviter tout déplacement imprévu. Utiliser la mèche de la clé de la lame pour desserrer la vis de fixation. Cela permet aux glissières d'être tirées vers l'extérieur et de faire pivoter la tête de la scie au-delà du repère de 45°. S'assurer de resserrer la vis de fixation après avoir terminé.

### BUTÉES DE BISEAU À 33,85° (FIG. 8)

Les deux cliquets (P) servent à bloquer le réglage du biseau de la tête de scie à 33,85°. Ce réglage est principalement utilisé pour couper les moulures couronnées qui reposent sur la table.

### TIGE DE VERROUILLAGE DE LA TÊTE (FIG. 8)

Pour verrouiller la tête de scie en position basse, pousser la tête vers le bas, enfoncer la tige et relâcher la tête de scie. Cela maintiendra la tête de scie en bas en toute sécurité pendant le déplacement de la scie d'un endroit à un autre. Pour déverrouiller, pousser la tête de scie vers le bas et retirer la tige.

## Fonctionnement

Brancher la scie à une source d'alimentation domestique standard de 60 Hz. Se reporter à la plaque signalétique pour la tension. S'assurer que le cordon ne nuira pas avec votre travail.

### INTERRUPTEUR

Pour mettre la scie sous tension, relâcher la détente. Pour mettre l'outil hors tension, relâcher la détente. Laisser la lame tourner à plein régime avant d'entamer la découpe. Relâcher la détente et laisser le frein arrêter complètement la lame avant de soulever la tête de scie. Il n'y a pas de mécanisme de blocage de la détente, mais cette dernière est dotée d'un orifice permettant d'insérer un cadenas pour assurer la sécurité de la scie.

### DÉCOUPE À L'AIDE DE VOTRE SCIE

**REMARQUE :** Bien que cette scie puisse couper du bois et de nombreux matériaux non métalliques, Nous traiterons uniquement de la découpe de bois. Les mêmes directives s'appliquent aux autres matériaux. **NE PAS COUPER À L'AIDE DE CETTE SCIE DES MATÉRIAUX FERREUX (FER ET ACIER) OU DE LA MAÇONNERIE.** Ne pas utiliser de lame abrasive.

### COUPES TRANSVERSALES

La découpe de plusieurs pièces n'est pas recommandée, mais elle peut être effectuée en toute sécurité en s'assurant que chaque pièce est maintenue fermement

en place contre la table et le guide. Une coupe transversale est une coupe de bois effectuée à travers les fibres du bois, à n'importe quel angle. Une coupe transversale droite s'effectue avec le bras d'onglet en position de zéro degré. Régler et verrouiller le bras d'onglet à zéro, maintenir fermement le bois en place sur la table et contre le guide. Mettre la scie en marche en pressant la détente.

Lorsque la scie atteint son plein régime (en environ 1 seconde), baisser doucement et lentement le bras pour découper le bois. Laisser la lame s'arrêter complètement avant de relever le bras.

Les coupes transversales à l'onglet s'effectuent avec le bras d'onglet disposé à un angle différent de zéro. L'angle est souvent de 45 degrés pour couper des coins, mais peut être défini comme n'importe quelle valeur entre 0 et 50 degrés à gauche ou à droite. Après avoir choisi l'angle d'onglet désiré, s'assurer de verrouiller le levier de verrouillage de l'onglet. Effectuer la coupe comme décrit ci-dessus.

### COUPES EN BISEAU

Une coupe en biseau est une coupe transversale réalisée avec la lame de la scie formant un angle avec la pièce en bois. Pour régler le biseau, desserrer le bouton de serrage du biseau, puis déplacer la scie à gauche, à l'endroit voulu. (Il est nécessaire de déplacer le guide pour permettre un dégagement suffisant). Lorsque l'angle de biseau souhaité a été réglé, bien resserrer le bouton de serrage de biseau.

Il est possible de régler les angles de biseau de 48 degrés à droite à 48 degrés à gauche et la coupe peut se faire de manière à ce que le bras d'onglet soit réglé entre zéro et 50 degrés à droite ou à gauche. Dans le cas de certains angles extrêmes, il est possible de devoir retirer le guide de gauche ou de droite. Pour ce faire, dévisser les boutons de plusieurs tours et retirer le guide en le faisant glisser.

### QUALITÉ DE COUPE

La qualité de toute coupe dépend de plusieurs variables. Des paramètres tels que le matériau coupé, le type de lame, la dureté de la lame et la vitesse de coupe contribuent tous à la qualité de coupe.

Lorsque des coupes plus régulières sont souhaitées, notamment dans le cas de moulures ou d'autres travaux de précision, une lame aiguisée (60 dents en carbure) et une vitesse de coupe plus faible et plus régulière produiront le résultat souhaité.

S'assurer que le matériau ne flue pas pendant l'opération de coupe en le fixant de manière sûre. Toujours laisser la lame s'arrêter complètement avant de relever le bras.

Si de petites fibres de bois sont toujours projetées à l'arrière de la pièce, placer un morceau de ruban adhésif de carrossier sur le bois à l'endroit où la coupe sera effectuée. Scier le ruban adhésif et le retirer soigneusement une fois le travail terminé.

FIG. 9

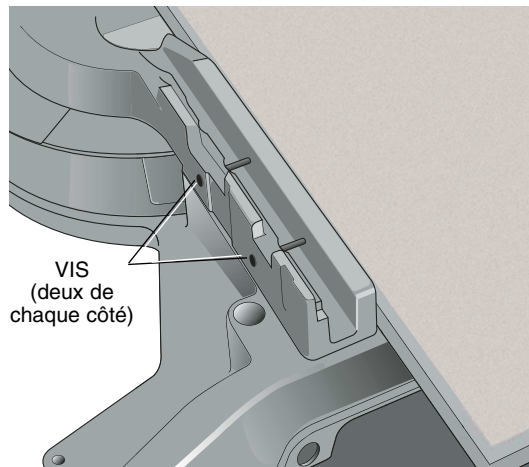


FIG. 10

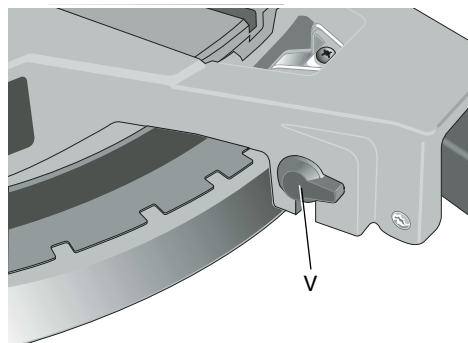
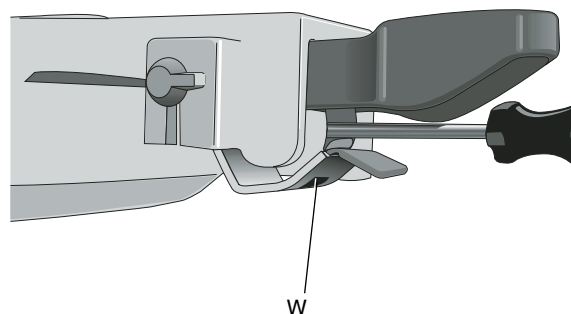


FIG. 11



Pour différentes applications de coupe, consulter la liste de lames de scie recommandées pour votre outil et sélectionner celle qui s'adapte le mieux à vos besoins (page 20).

### POSITION DU CORPS ET DES MAINS (FIG. 12)

Un positionnement adéquat de votre corps et de vos mains lors de l'utilisation de la scie à onglets rendra la coupe plus facile, plus précise et plus sûre. Ne placez jamais vos mains à proximité de la zone de coupe. Ne pas mettre les mains à moins de 15 cm (6 po) de la lame. Maintenir fermement la pièce en place contre la table et le guide pendant l'opération de coupe. Garder les mains en position jusqu'au relâchement de la détente et à l'arrêt complet de la lame. **TOUJOURS EFFECTUER DES ESSAIS À BLANC (SANS ALIMENTATION) AVANT DE RÉALISER VOS COUPES AFIN DE VÉRIFIER LA TRAJECTOIRE DE LA LAME. NE PAS CROISER LES MAINS, TEL QU'IL EST ILLUSTRÉ À LA FIGURE 12A.**

Garder les pieds ancrés au sol afin de maintenir son équilibre. Au moment de déplacer le bras d'onglet vers la gauche ou la droite, le suivre et se tenir légèrement sur le côté de la lame de la scie. Observer au travers des persiennes du pare-main pour suivre un trait tiré au crayon.

### FIXATION DE LA PIÈCE

#### **Mettre la scie hors tension et la débrancher.**

Si la pièce ne peut être maintenue manuellement sur la table et contre le guide (à cause d'une forme irrégulière ou d'une autre raison) ou que la main se trouve à moins de 15 cm (6 po) de la lame, il faut utiliser un serre-joint ou une autre fixation.

Pour un résultat optimal, utiliser le serre-joint DW7082 conçu pour une utilisation avec votre scie. Il peut être acheté auprès d'un détaillant de votre région ou à un centre de réparation DEWALT.

D'autres accessoires tels que des pinces à ressort, serres à barre ou serre-joint en C peuvent convenir à certaines tailles et formes de matériaux. Être attentif lors de la sélection et de la pose de ces serres-joints. Prendre le temps d'effectuer un essai à blanc avant d'entamer la coupe. Les guides de gauche et de droite coulissent d'un côté à l'autre pour faciliter l'opération de serrage.

**REMARQUE : TOUJOURS EFFECTUER DES MARCHES À SEC (SANS ALIMENTATION) AVANT DE RÉALISER VOS COUPES AFIN DE VÉRIFIER LA TRAJECTOIRE DE LA LAME. S'ASSURER QUE UNA BRIDE N'OBSTRUE PAS LE MOUVEMENT DE LA SCIE OU DES DISPOSITIFS DE PROTECTION.**

**▲ AVERTISSEMENT :** Une pièce qui est encastrée, équilibrée et fixée avant d'être coupée peut être déséquilibrée après avoir été coupée. Une charge déséquilibrée peut faire incliner la scie ou toute chose à laquelle la scie est fixée comme une table ou un banc d'établi. Pour effectuer la coupe d'une pièce pouvant devenir déséquilibrée, bien soutenir la pièce et s'assurer que la scie est bien boulonnée à une surface stable.

## SOUTIEN DES PIÈCES LONGUES

**Mettre la scie hors tension et la débrancher.**

TOUJOURS SOUTENIR LES PIÈCES LONGUES.

Ne jamais utiliser une personne à la place d'une rallonge de table, comme soutien supplémentaire, pour une pièce dont la longueur ou la largeur dépasse le banc de scie de base ou pour aider à alimenter, soutenir la pièce ou pour la tirer.

Pour optimiser le résultat, utiliser le support DW7080 de travail en extension afin d'augmenter la largeur de votre table à scier. Il est vendu séparément par votre distributeur. Soutenir les longues pièces à l'aide de tout moyen commode, par exemple un chevalet de sciage ou un appareil similaire, afin d'empêcher les extrémités de tomber.

## DÉCOUPE DE CADRES, DE BOÎTES-CADRES ET D'AUTRES OBJETS À QUATRE FACES

Pour mieux comprendre comment façonner les éléments mentionnés ici, nous vous suggérons de commencer par des projets simples en utilisant des chutes de bois jusqu'à ce que vous soyez bien familiarisé avec votre outil.

La scie est l'outil parfait pour réaliser des coins à l'onglet comme celui illustré à la figure 14. Le diagramme A de la figure 13 illustre un assemblage réalisé à l'aide du réglage de biseau pour biseauter les arêtes des deux planches à 45 degrés chacune afin de produire un coin à 90 degrés. Pour réaliser cet assemblage, le bras d'onglet était bloqué à la position zéro et le réglage de biseau était bloqué à 45 degrés. Le morceau de bois était positionné avec le large côté plat contre la table et l'arête étroite contre le guide. Il aurait également été possible de découper à l'onglet à droite et à gauche en maintenant la surface large contre le guide.

## DÉCOUPE DE MOULURES DE GARNISSAGE ET D'AUTRES CADRES

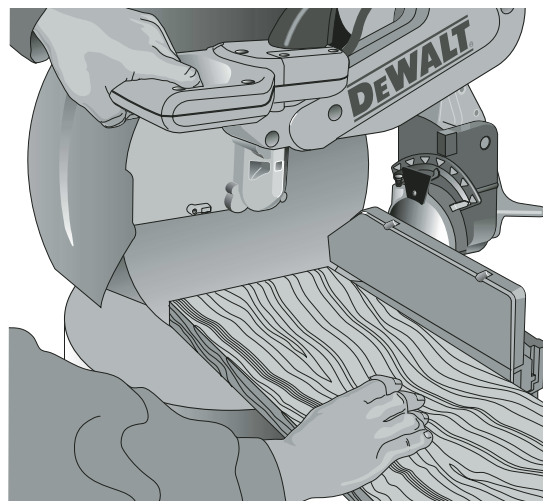
Le diagramme B de la figure 13 illustre un assemblage réalisé en réglant le bras d'onglet à 45 degrés pour couper à onglet les deux planches afin de former un coin à 90 degrés. Pour réaliser ce type d'assemblage, régler le biseau sur zéro et le bras d'onglet sur 45 degrés. Le morceau de bois était à nouveau positionné avec le large côté plat contre la table et l'arête étroite contre le guide.

Les deux diagrammes de la figure 13 correspondent à des objets à quatre côtés.

Lorsque le nombre de côtés change, les angles d'onglets et de biseau changent aussi. Le tableau ci-dessous indique les angles adéquats pour diverses formes.

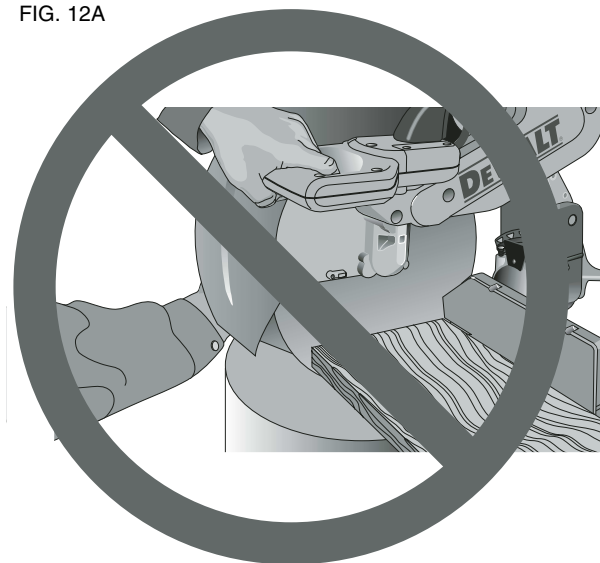
(Le tableau suppose que tous les côtés sont de même longueur). Pour réaliser une forme qui n'apparaît pas dans le tableau, utiliser la formule suivante : 180 degrés divisé par le nombre de côtés donne l'angle d'onglets (si le matériau est coupé verticalement) ou de biseau (s'il est coupé à plat).

FIG. 12



COUPE ADÉQUATE

FIG. 12A



COUPE INADÉQUATE

- EXEMPLES -

PAS DE CÔTÉ	ONGLET OU BISEAU D'ANGLE
4	45°
5	36°
6	30°
7	25.7°
8	22.5°
9	20°
10	18°

## DÉCOUPE À ONGLETS MIXTES

Une coupe à onglets mixtes est réalisée en utilisant simultanément un angle d'onglet et un angle de biseau. C'est le type de coupe utilisé pour fabriquer des cadres ou des boîtes dont les côtés sont inclinés, comme il est illustré dans la figure 15.

**REMARQUE :** Si l'angle de coupe varie d'une coupe à l'autre, s'assurer que le bouton de serrage de biseau et le bouton de blocage d'onglet sont bien serrés. Ces boutons doivent être resserrés après chaque réglage d'onglet ou de biseau.

Le tableau de la page 32 vous aidera à sélectionner les réglages d'onglet et de biseau adéquats pour des coupes à onglets mixtes classiques. Pour utiliser le tableau, sélectionner l'angle « A » souhaité (figure 15) pour votre projet et rechercher cet angle sur l'arc adéquat du tableau. Tracer un trait vertical à partir de ce point pour lire l'angle de biseau adéquat et un trait horizontal pour lire l'angle d'onglet adéquat.

Régler la scie sur les angles prescrits et effectuer quelques coupes d'essai. S'entraîner à assembler les pièces coupées jusqu'à maîtriser cette procédure.

**Exemple :** Pour fabriquer une boîte à quatre côtés avec des angles extérieurs à 26 degrés (angle A, figure 15), utiliser l'arc supérieur droit. Trouver la valeur 26° sur l'échelle de l'arc. Suivre la ligne horizontale intersectante jusqu'à l'un des deux axes pour obtenir le réglage de l'angle d'onglet pour votre scie (42°). Suivre de même la ligne verticale intersectante vers le bas ou vers le haut pour obtenir le réglage de l'angle de biseau pour la scie (18°). Toujours essayer les coupes sur des chutes de bois afin de vérifier les réglages de la scie.

## ÉCHELLE À VERNIER

La scie est dotée d'une échelle à vernier pour une précision accrue. L'échelle à vernier permet de régler avec exactitude les angles d'onglets au quart de degré près. Pour utiliser l'échelle à vernier, suivre les étapes suivantes. (Par exemple, supposons que l'angle voulu de l'onglet est de 24,5 degrés à droite).

1. Éteindre la scie à onglets.
2. Régler l'angle d'onglets au degré entier près voulu en alignant le repère central sur l'échelle à vernier, illustrée à la figure V1, le numéro de degré entier est gravé sur l'échelle à onglets. Examiner de près la figure V2, le réglage montre un onglet de 24 degrés à droite.



3. Pour régler le quart de degré restant, presser le dispositif de blocage du bras d'onglet, puis déplacer le bras à DROITE de manière à ce que le repère du vernier pour  $\frac{1}{4}$  degré s'aligne avec le repère du degré LE PLUS PRÈS de l'échelle à onglets. Dans cet exemple, le repère du degré le plus près sur l'échelle à onglets se trouve être celui de 25 degrés. La figure V2 montre un réglage d'onglet de 24,5 degrés à droite.

Pour le réglage des degrés partiels (1/4, 1/2, 3/4 degré), aligner le repère de vernier avec le repère du degré le plus près sur l'échelle à onglets, comme il est indiqué ci-après. (La plaque en plastique de l'échelle à vernier affiche les repères inscrits pour les 1/4, 1/2, 3/4 et 1 degrés. Seuls, les 1/2 et 1 degrés présentent un numéro.)

#### POUR L'ASSEMBLAGE EN ONGLET À DROITE

Pour augmenter l'angle d'onglets durant l'assemblage en onglet à droite, déplacer le bras de manière à aligner le repère micrométrique avec le repère le plus près sur l'échelle à onglets, à droite. Pour réduire l'angle d'onglets durant l'assemblage en onglet à droite, déplacer le bras de manière à aligner le bon repère micrométrique avec le repère le plus près sur l'échelle à onglets, à gauche.

#### POUR L'ASSEMBLAGE EN ONGLET À GAUCHE

Pour augmenter l'angle d'onglets durant l'assemblage en onglet à gauche, déplacer le bras de manière à aligner le bon repère micrométrique avec le repère le plus près sur l'échelle à onglets, à gauche. Pour réduire l'angle d'onglet durant l'assemblage en onglet à gauche, déplacer le bras de manière à aligner le bon repère micrométrique avec le repère le plus près sur l'échelle à onglets, à droite.

#### DÉCOUPE DE MOULURES D'EMBASE

**TOUJOURS EFFECTUER UN ESSAI À BLANC SANS ALIMENTATION AVANT D'ENTAMER TOUTE COUPE.**

Coupes droites à 90 degrés :

Placer le bois contre le guide et le maintenir en place comme il est illustré à la figure 16. Mettre la scie en marche, laisser la lame atteindre son plein régime et abaisser doucement le bras dans la coupe

#### COUPE DE MOULURES D'EMBASE D'UNE ÉPAISSEUR MAXIMALE DE 152,4 MM (6 PO) À LA VERTICALE, CONTRE LE GUIDE

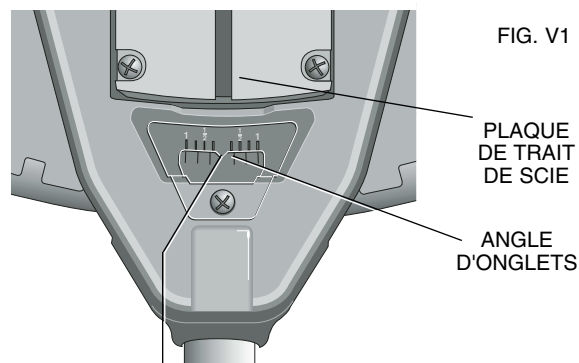
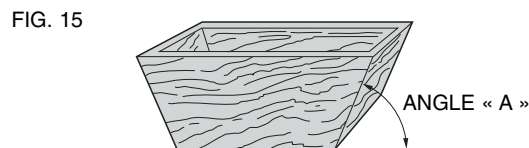
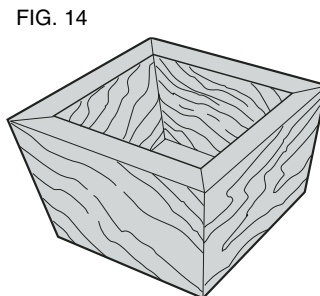
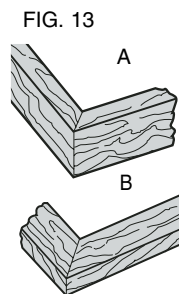
Placer le matériau comme il est illustré à la figure 16.

Toutes les coupes doivent être réalisées de manière à ce que l'arrière de la moulure soit contre le guide et la base de la moulure contre la base.

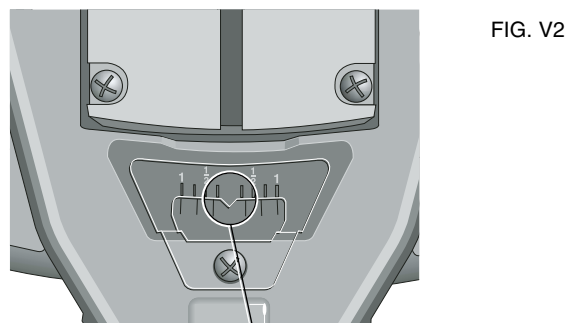
COIN INTÉRIEUR :

Côté gauche

1. Onglet gauche à 45°
2. Conserver le côté gauche de la coupe



LE REPÈRE CENTRAL DE L'ÉCHELLE À VERNIER S'ALIGNE AVEC L'ANGLE ENTIER VOULU SUR L'ÉCHELLE À ONGLETS (ONGLET DROIT À 24°)



LE REPÈRE MICROMÉTRIQUE DE 1/4° S'ALIGNE AVEC LE REPÈRE DE DEGRÉ ENTIER LE PLUS PRÈS SUR L'ÉCHELLE À ONGLETS (ONGLET DROIT DE 24,5°)

Côté droit

1. Onglet droit à 45°
2. Conserver le côté droit de la coupe

COIN EXTÉRIEUR :

Côté gauche

1. Onglet droit à 45°
2. Conserver le côté gauche de la coupe

Côté droit

1. Onglet gauche à 45°
2. Conserver le côté droit de la coupe

Tout matériau d'une épaisseur maximale de 152,4 mm (6 po) peut être coupé comme il est indiqué ci-dessus

#### DÉCOUPE DE MOULURE COURONNÉE

La scie à onglets est mieux adaptée à la tâche de découpe de moulures couronnées qu'aucun autre outil. Afin de s'ajuster correctement, les moulures couronnées doivent être découpées à onglets mixtes avec une précision extrême.

Les deux surfaces plates d'un morceau de moulure couronnée donné sont à des angles dont la somme est exactement de 90 degrés. La majorité, mais non la totalité, des moulures couronnées ont un angle arrière supérieur (la section qui s'adapte à plat contre le plafond) de 52 degrés et un angle arrière inférieur (la partie qui s'adapte à plat contre le mur) de 38 degrés.

La scie à onglets comporte des points de loquet d'onglet prédéfinis à 31,62 degrés à gauche et à droite pour découper des moulures couronnées à l'angle adéquat, et des cliquets de butée de biseau à 33,85 degrés à gauche et à droite. L'échelle de biseau comprend aussi un repère à 33,85 degrés.

Le tableau situé à la page 28 indique les paramètres appropriés pour la découpe de moulures couronnées. (Les chiffres donnés pour les réglages de l'onglet et du biseau sont très précis et ne sont pas faciles à régler précisément sur la scie). Comme les angles de la plupart de pièces ne sont pas exactement de 90 degrés, il vous faudra dans tous les cas ajuster vos réglages.

**IL EST EXTRÊMEMENT IMPORTANT D'EFFECTUER DES TESTS PRÉLIMINAIRES SUR DES CHUTES DE MOULURE !**

#### DIRECTIVES POUR LA COUPE DE MOULURES COURONNÉES REPOSANT À PLAT ET L'UTILISATION DES FONCTIONS MIXTES :

1. Moulure dont la large surface arrière est à plat sur la table à scier (figure 17).
2. Les réglages ci-dessous s'appliquent aux moulures couronnées standard (É-U) présentant des angles de 52° et 38°.

RÉGLAGE DU BISEAU	TYPE DE COUPE
	CÔTÉ GAUCHE, COIN INTÉRIEUR :
Gauche à 33,85°	<ol style="list-style-type: none"> <li>1. Partie supérieure de la moulure contre le guide</li> <li>2. Table d'onglet définie à 31,62°</li> <li>3. Conserver le côté gauche de la coupe</li> </ol>
	CÔTÉ DROIT, COIN INTÉRIEUR :
Droite à 33,85°	<ol style="list-style-type: none"> <li>1. Partie supérieure de la moulure contre le guide.</li> <li>2. Table d'onglet définie à 31,62°</li> <li>3. Conserver le côté droit de la coupe</li> </ol>
	CÔTÉ GAUCHE, COIN EXTÉRIEUR :
Droite à 33,85°	<ol style="list-style-type: none"> <li>1. Partie supérieure de la moulure contre le guide.</li> <li>2. Table d'onglet définie à 31,62°</li> <li>3. Conserver le côté gauche de la coupe</li> </ol>
	CÔTÉ DROIT, COIN EXTÉRIEUR :
Gauche à 33,85°	<ol style="list-style-type: none"> <li>1. Partie supérieure de la moulure contre le guide</li> <li>2. Table d'onglet définie à 31,62°</li> <li>3. Conserver le côté droit de la coupe</li> </ol>

Lors du réglage d'onglet et de biseau pour tous les onglets mixtes, ne pas oublier que :

les angles présentés pour les moulures couronnées sont très précis et difficiles à régler de manière exacte. Puisqu'ils peuvent facilement se décaler légèrement et que très peu de pièces présentent des angles exactement droits, tous les réglages doivent être testés auparavant sur des chutes de moulures.

**IL EST EXTRÊMEMENT IMPORTANT EFFECTUER DES TESTS PRÉLIMINAIRES SUR DES CHÛTES DE MOULURE !**

#### MÉTHODE ALTERNATIVE DE DÉCOUPE DE MOULURES COURONNÉES

Mettre la moulure sur la table, selon un angle donné entre le guide et la table de scie, comme le montre la figure 17A. Nous recommandons vivement l'utilisation de l'accessoire (DW7084) de guide pour moulure couronnée en raison de son degré de précision et de sa commodité. Cet accessoire est disponible auprès du distributeur de votre région.

Avec cette méthode de découpe de moulure couronnée, aucune coupe biseautée n'est requise. Des modifications minimes peuvent être apportées à l'angle d'onglets sans

FIG. 16

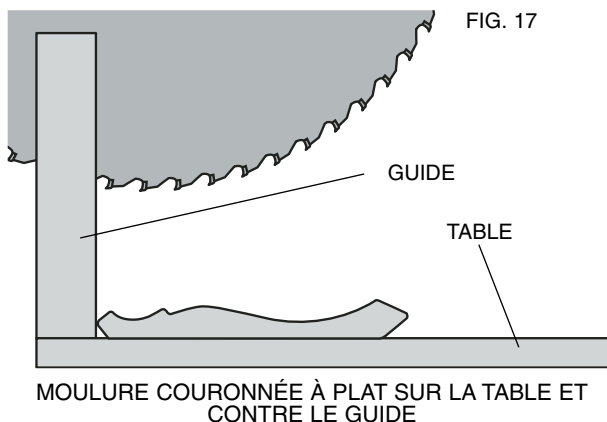
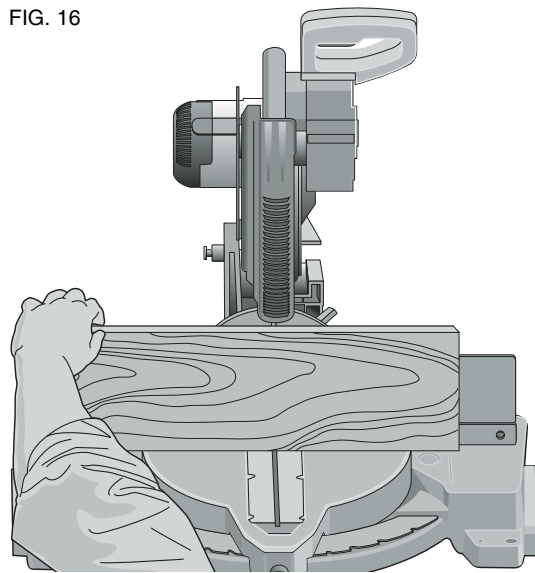


FIG. 17

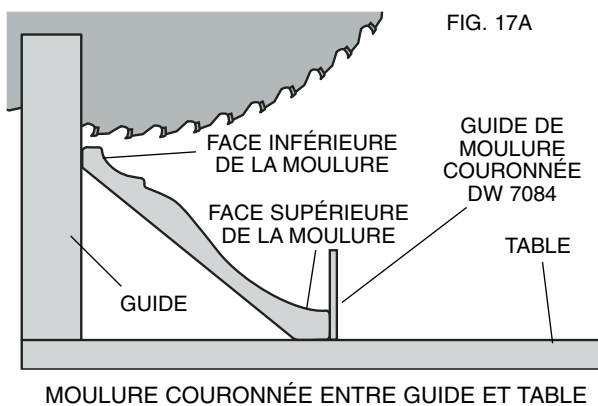


FIG. 17A

modifier l'angle de biseau. Ainsi, en cas de coins autres qu'à 90 degrés, il est possible de régler rapidement et facilement la scie en conséquence. Utiliser l'accessoire de guide pour moulures couronnées afin de conserver l'angle que formera la moulure avec le mur.

#### DIRECTIVES POUR LA DÉCOUPE DE MOULURES COURONNÉES MISES EN ANGLE ENTRE LE GUIDE ET LA BASE DE LA SCIE POUR TOUTES LES COUPES :

1. Faire pivoter la moulure de sorte que sa partie inférieure (celle qui sera adossée au mur lors de l'installation) se trouve contre le guide et que sa partie supérieure repose sur la base de la scie, comme il est illustré à la figure 17A.
2. Les parties plates formant un angle à l'arrière de la moulure doivent bien reposer sur le guide et la base de la scie.

#### COIN INTÉRIEUR :

##### Côté gauche

1. Onglet droit à 45°
2. Conserver le côté droit de la coupe

##### Côté droit

1. Onglet gauche à 45°
2. Conserver le côté gauche de la coupe

#### COIN EXTÉRIEUR :

##### Côté gauche

1. Onglet gauche à 45°
2. Conserver le côté droit de la coupe

##### Côté droit

1. Onglet droit à 45°
2. Conserver le côté gauche de la coupe

#### Découpes spéciales

**NE JAMAIS EFFECTUER DE DÉCOUPE SI LE MATÉRIAU N'EST PAS MAINTENU EN PLACE SUR LA TABLE ET CONTRE LE GUIDE.**

#### DÉCOUPE D'ALUMINIUM

TOUJOURS UTILISER DES LAMES DE SCIE APPROPRIÉES SPÉCIALEMENT CONÇUES POUR LA DÉCOUPE D'ALUMINIUM. Elles sont disponibles auprès du détaillant DeWALT de votre région ou d'un centre de réparation DeWALT. À cause de leur taille, de leur forme ou de l'aspect de leur surface, certaines pièces peuvent nécessiter l'utilisation de pinces ou de fixations pour éviter tout mouvement durant la découpe. Positionner le matériel de telle sorte que la section transversale la plus fine sera coupée, tel qu'il est illustré à la figure 18. La figure 20 illustre la mauvaise manière de couper ces extrusions. Utiliser un lubrifiant de coupe en cire, en bâton, pour la coupe d'aluminium. Appliquer directement le lubrifiant de coupe en cire en bâton sur la lame de scie avant d'entamer l'opération de coupe. Ne jamais appliquer de cire en bâton sur une lame en mouvement.



La cire est disponible auprès de la majorité des quincailleries et des magasins de fourniture en minoteries; elle apporte une lubrification adaptée et empêche les copeaux d'adhérer à la lame.

S'assurer de bien fixer la pièce. Se reporter à la page 20 pour connaître les lames de scie appropriées.

### MATÉRIAU ARQUÉ

Pour la coupe de matériau arqué, toujours le positionner comme le montre la figure 19 et non comme le montre la figure 19A. Le fait de mal positionner le matériau entraînera le pincement de la lame près de la fin de la coupe.

### DÉCOUPE DE TUYAU EN PLASTIQUE OU D'AUTRE MATÉRIAU ROND

Il est facile de couper des tuyaux en plastique avec la scie. Il faut les couper exactement de la même manière que du bois et **LES SERRER OU LES MAINTENIR FERMEMENT CONTRE LE GUIDE POUR LES EMPÊCHER DE ROULER**. Cela est extrêmement important lors de coupes en angle.

### COUPE DE GRANDS MATÉRIEAUX

De temps à autre, une pièce de bois sera légèrement trop grande pour passer sous le pare-main de la lame. Si cela se produit, il suffit de placer le pouce droit sur la partie supérieure du pare-main, puis remonter le pare-main juste assez pour libérer la pièce comme le montre la figure 20. Éviter de procéder ainsi autant que possible, mais s'il le faut, la scie fonctionnera bien et réalisera une plus grosse coupe. **NE JAMAIS ATTACHER, COLLER NI FIXER LE PARE-MAIN DE MANIÈRE À LE MAINTENIR OUVERT DURANT L'UTILISATION DE CETTE SCIE.**

### CONFIGURATION SPÉCIALE POUR LES COUPES TRANSVERSALES LARGES

La scie peut couper des pièces très larges (jusqu'à 406 mm (10 po)) en utilisant une configuration spéciale. Pour ce faire, suivre la procédure suivante :

1. Retirer les guides coulissants gauche et droit de la scie et les mettre à l'écart. Pour les retirer, dévisser de plusieurs tours les poignées de guide et faire glisser chaque guide vers l'extérieur. Régler et bloquer la commande d'onglet de telle sorte qu'elle indique un ongle de 0 degré.
2. Façonner une plate-forme à l'aide d'une pièce de 38 mm (1,5 po) d'aggloméré épais ou d'un morceau de bois plat similaire de 38 mm d'épaisseur aux dimensions suivantes : 254 x 610 mm (10 x 24 po). La plate-forme doit être plane afin que le matériau ne puisse se déplacer durant la découpe et causer des blessures.
3. Monter la plate-forme de 254 mm x 610 mm (10 po x 24 po) sur la scie au moyen de quatre vis à bois de 101,6 mm (4 po) entrainées dans les trous du guide de base (figure 9). Il faut utiliser quatre vis pour fixer le matériau de manière adéquate. Lors de l'utilisation de cette configuration spéciale, la plate-forme sera

FIG. 18

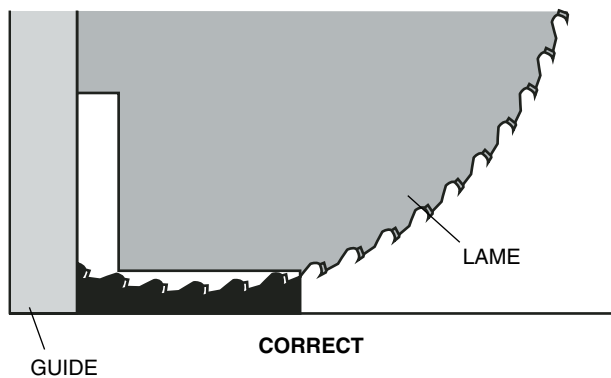


FIG. 18A

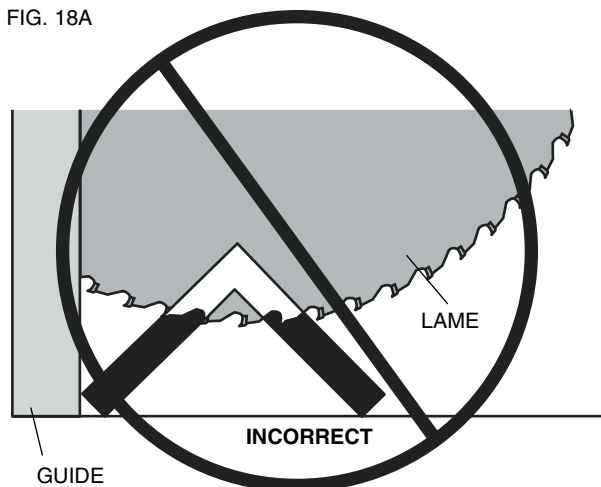


FIG. 19

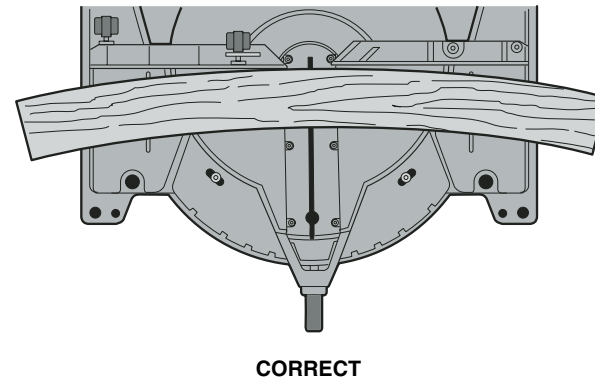
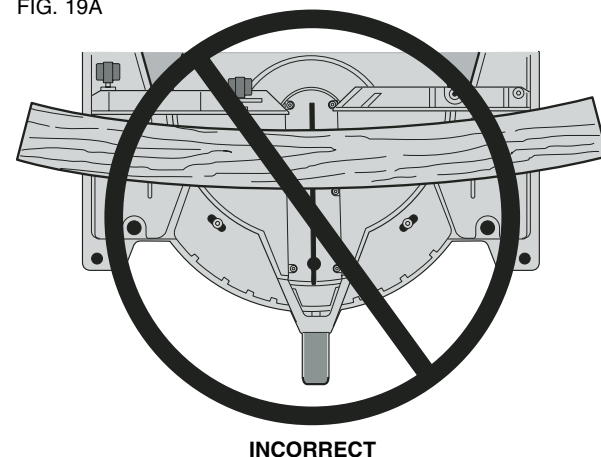


FIG. 19A



coupée en deux morceaux. S'assurer que les vis sont bien serrées pour éviter que le matériau ne se desserre et puisse causer des blessures. S'assurer que la plate-forme est fermement à plat sur la table, contre le guide et centrée entre les bords gauche et droit.

**⚠ AVERTISSEMENT :** S'assurer que la scie est fermement fixée sur une surface plane et stable. Négliger de le faire risque de provoquer l'instabilité ou la chute de la scie et de causer des blessures corporelles.

4. Placer la pièce à couper sur la plate-forme fixée sur la table. S'assurer que la pièce repose fermement contre le guide arrière (figure 9).
5. Fixer le matériau avant de le couper. Couper lentement le matériau. Négliger de bien serrer la pièce ou

de couper lentement pourrait faire desserrer le matériau et causer des blessures.

Après plusieurs coupes à des angles d'onglet autres que 0°, il se peut que la plate-forme s'affaiblisse et ne soutienne plus correctement la pièce. Installer alors sur la scie une plate-forme neuve après avoir pré-réglé l'angle d'onglet souhaité.

**⚠ MISE EN GARDE :** L'utilisation continue d'une plate-forme contenant plusieurs traits de scie peut entraîner une perte de maîtrise du matériau et des blessures.

### Dépose et remplacement de la courroie

La courroie est conçue pour durer pendant toute la vie de l'outil. Une mauvaise utilisation de l'outil pourrait cependant entraîner une défaillance de courroie.

Si la lame ne tourne pas alors que le moteur fonctionne, la courroie est en panne. Pour inspecter ou remplacer la courroie, retirer les vis du couvercle de la courroie. Retirer

le couvercle de la courroie. Inspecter les nervures de la courroie en recherchant des signes d'usure ou de panne. Vérifier la tension de la courroie en la serrant comme il est illustré à la figure 21. Les moitiés de la courroie devraient presque se toucher si elles sont serrées fermement entre le pouce et l'index.

Pour régler la tension, desserrer, mais sans les retirer, les quatre vis cruciformes indiquées. Faire ensuite pivoter la vis de calage située au sommet du moulage de la plaque du moteur jusqu'à atteindre la tension adéquate. Bien serrer les quatre vis et replacer le couvercle de la courroie.

**REMARQUE :** Un serrage trop important de la courroie pourrait entraîner une panne de moteur prématurée.

### Entretien

1. Tous les roulements sont scellés. Ils sont lubrifiés à vie et n'ont besoin d'aucun entretien supplémentaire.
2. Retirer régulièrement toute la poussière et tous les copeaux de bois situés autour ET SOUS la base et la table rotative. Même si des emplacements sont prévus pour permettre l'évacuation de débris, de la poussière s'accumule.
3. Les balais sont conçus pour durer plusieurs années. S'ils ont besoin d'être remplacés, suivre les instructions de la page 24 ou retourner l'outil au centre de réparation le plus proche pour réparation. Une liste des centres de réparation est livrée avec l'outil.

### Réparations

Pour garantir la SÉCURITÉ et la FIABILITÉ du produit, les réparations, l'entretien et le réglage (y compris l'inspection et le remplacement du balai) doivent être réalisés par un centre de réparation autorisé ou tout autre centre de réparation professionnel, et des pièces de rechange identiques doivent être utilisées.

### Garantie limitée trois ans

DEWALT réparera gratuitement tous les problèmes dus à des défauts de matériau ou de fabrication pendant trois ans à compter de la date d'achat. Cette garantie ne couvre pas des défaillances de pièce dues à une usure normale ou à une mauvaise utilisation de l'outil. Pour plus de détails relatifs à la couverture de la garantie et aux réparations sous garantie, visiter le site Web [www.dewalt.com](http://www.dewalt.com) ou composer le 1-800-4-DEWALT (1-800-433-9258). Cette garantie ne s'applique pas aux accessoires ni aux dommages causés par des réparations réalisées ou tentées par des tiers. Cette garantie vous accorde des droits légaux spécifiques et il est possible d'avoir d'autres droits qui varient d'un État ou d'une province à l'autre.

En plus de la garantie, les outils DEWALT sont couverts par notre :

#### SERVICE D'ENTRETIEN GRATUIT DE 1 ANS

DEWALT entretiendra l'outil et remplacera les pièces usées par une utilisation normale et ce, gratuitement, à

FIG. 20

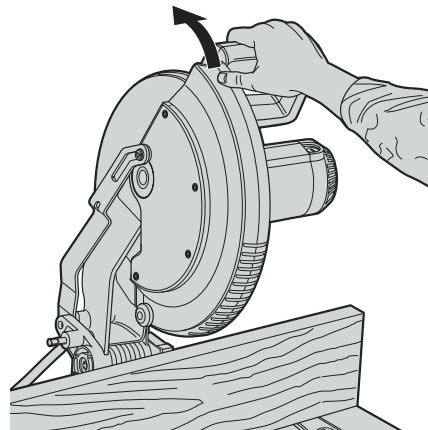
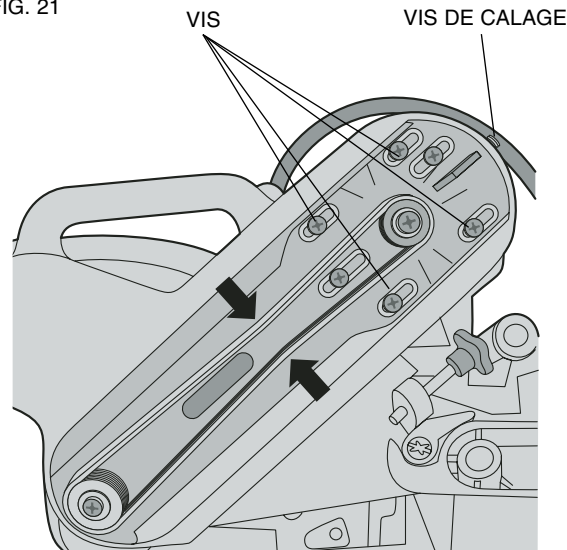


FIG. 21



tout instant pendant la première année à compter de la date d'achat

#### GARANTIE DE REMBOURSEMENT DE 90 JOURS

Si vous n'êtes pas entièrement satisfait des performances de votre outil électrique, laser ou de votre marteau-cloueur DEWALT pour quelque raison que ce soit, vous pouvez le retourner accompagné d'un reçu dans les 90 jours suivant la date d'achat et nous vous rembourserons entièrement - sans poser de questions.

**PRODUIT REMIS À NEUF :** Tout produit remis à neuf est couvert par une garantie gratuite d'entretien d'un an. La garantie de remboursement après 90 jours et la garantie limitée de trois ans ne s'appliquent pas aux produits remis à neuf.

**REEMPLAZO GRATUITO DE LAS ETIQUETAS DE ADVERTENCIA:** Si sus etiquetas de advertencia se vuelven ilegibles o faltan, llame al 1-800-4-DEWALT para que se le reemplacen gratuitamente.

#### Avis de brevet

Fabriqué et protégé par un ou plusieurs des brevets américains suivants :

6,431,040	5,582,089
6,427,570	5,375,495
D454,577	5,285,708
5,819,619	5,199,343

Autres brevets en instance.

## Guide de dépannage

### SUIVRE LES RÈGLES ET CONSIGNES DE SÉCURITÉ

#### **PROBLÈME! LA SCIE NE DÉMARRE PAS**

##### **QUEL EST LE PROBLÈME?**

1. Scie non branchée
2. Fusible grillé ou disjoncteur déclenché
3. Cordon endommagé
  
4. Balais usés

##### **QUE FAIRE...**

1. Brancher la scie.
2. Remplacer le fusible ou réinitialiser le disjoncteur
3. Faire remplacer le cordon par un centre de réparation agréé.
4. Faire remplacer les balais par un centre de réparation autorisé ou les remplacer vous-même selon les directives figurant à la page 24.

#### **PROBLÈME! LES COUPES EXÉCUTÉES PAR LA SCIE SONT INSATISFAISANTES**

##### **QUEL EST LE PROBLÈME?**

1. Lame émoussée
2. Lame montée à l'envers
3. Gomme ou résine sur la lame
  
4. Lame inadéquate pour le travail effectué

##### **QUE FAIRE...**

1. Remplacer la lame. Voir page 21.
2. Inverser la lame. Voir page 21.
3. Retirer la lame et la nettoyer avec de la térébenthine et de la laine d'acier grossière ou avec un nettoyant à four domestique.
4. Changer de type de lame. Voir page 20.

#### **PROBLÈME! LA LAME N'ATTEINT PAS SON PLEIN RÉGIME**

##### **QUEL EST LE PROBLÈME?**

1. La rallonge est trop légère ou trop longue
  
2. Courant domestique trop faible

##### **QUE FAIRE...**

1. La remplacer par une rallonge de taille adéquate. Voir page 17.
2. Contacter le fournisseur d'électricité.

#### **PROBLÈME! LA MACHINE VIBRE DE MANIÈRE EXCESSIVE**

##### **QUEL EST LE PROBLÈME?**

1. La scie n'est pas correctement fixée sur le tréteau ou l'établi
2. Le tréteau ou l'établi est sur un sol irrégulier
3. Lame de scie endommagée

##### **QUE FAIRE...**

1. Bien visser tout le matériel d'assemblage. Voir page 20.
2. Le repositionner sur une surface plane. Voir page 20.
3. Remplacer la lame. Voir page 21.

#### **PROBLÈME! LES COUPES À ONGLET MANQUENT DE PRÉCISION**

##### **QUEL EST LE PROBLÈME?**

1. L'échelle d'onglet n'est pas correctement réglée
2. L'échelle à onglets n'est pas correctement réglée
3. La lame n'est pas perpendiculaire à la table
4. La pièce à découper se déplace

##### **QUE FAIRE...**

1. Vérifier et régler. Voir page 22.
2. Vérifier et régler. Voir page 22.
3. Vérifier et régler le guide. Voir page 22.
4. La fixer au guide ou coller du papier abrasif de calibre 120 sur le guide à l'aide de colle de caoutchouc.

#### **PROBLÈME! LE MATÉRIAU PINCE LA LAME**

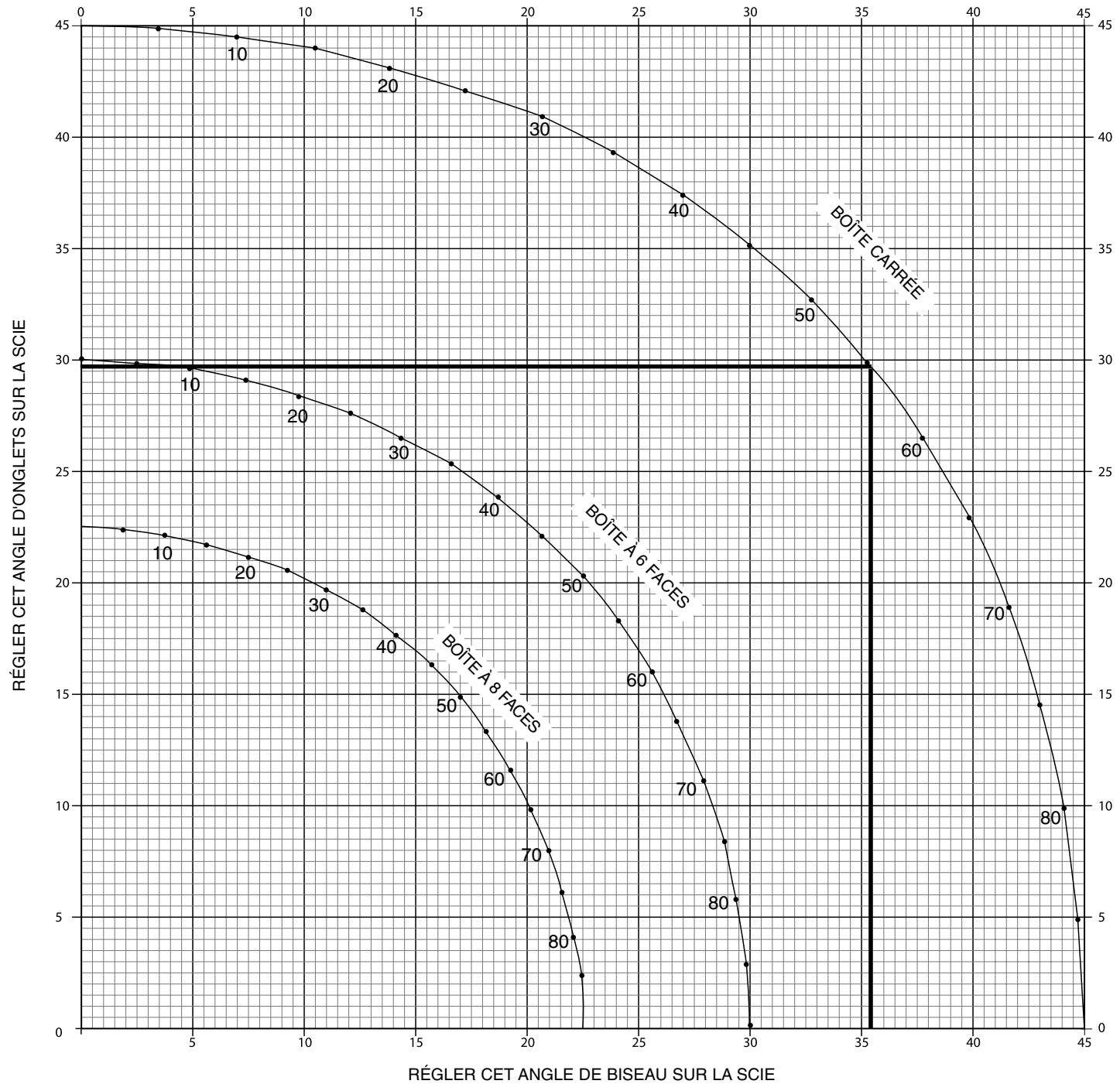
##### **QUEL EST LE PROBLÈME?**

1. Découpe de matériau arqué

##### **QUE FAIRE...**

1. Positionner le matériau arqué comme il est indiqué à la page 29.

TABLEAU 1 COUPE À ONGLETS MIXTES (positionner le morceau de bois avec le large côté plat contre la table et l'arête étroite contre le guide).



## ÍNDICE DE TEMAS

INSTRUCCIONES SOBRE DOBLE AISLAMIENTO/ENCHUFE POLARIZADO .....	34	CONTROLES .....	41
INSTRUCCIONES DE SEGURIDAD PARA TODAS LAS HERRAMIENTAS .....	34	OPERACIÓN .....	42
NORMAS DE SEGURIDAD ADICIONALES .....	35	INTERRUPTOR.....	42
CONEXIÓN ELÉCTRICA .....	36	CORTES CON LA SIERRA.....	42
ACCESORIOS .....	36	CORTES TRANSVERSALES .....	42
DESCRIPCIONES DE LAS HOJAS .....	37	CORTES BISELADOS .....	42
CÓMO DESEMBALAR LA SIERRA .....	37	CALIDAD DEL CORTE .....	42
ESPECIFICACIONES .....	37	POSICIÓN DEL CUERPO Y LAS MANOS .....	42
FAMILIARIZARSE CON LA HERRAMIENTA .....	37	SUJECIÓN DE LA PIEZA DE TRABAJO .....	43
MONTAJE EN EL BANCO DE TRABAJO.....	37	SOPORTE DE PIEZAS LARGAS.....	43
CAMBIO O INSTALACIÓN DE UNA NUEVA HOJA .....	38	CORTE DE MARCOS PARA FOTOS, CAJAS PARA EXHIBIR OBJETOS Y OTROS ELEMENTOS DE CUATRO LADOS.....	43
TRANSPORTE DE LA SIERRA .....	39	CORTE DE MOLDURAS DE TERMINACIÓN Y OTROS MARCOS .....	43
AJUSTES .....	39	CORTE DE INGLETES COMPUESTOS .....	43
REGULACIÓN DE LA ESCALA DE INGLETE.....	39	ESCALA VERNIER .....	44
REGULACIÓN DEL INDICADOR DE INGLETE .....	39	CORTE DE MOLDURAS DE BASE.....	44
BISEL A ESCUADRA CON LA MESA .....	39	CORTE DE MOLDURAS DE CORONA.....	44
INDICADOR DE BISEL.....	39	CORTES ESPECIALES .....	46
REGULACIÓN DEL TOPE DE BISEL .....	40	RETIRO Y REEMPLAZO DE LA CORREA.....	47
REGULACIÓN DEL REBORDE .....	40	MANTENIMIENTO .....	47
REBORDE AUXILIAR .....	40	GARANTÍA .....	47
FRENO ELÉCTRICO AUTOMÁTICO .....	40	GUÍA PARA SOLUCIONAR PROBLEMAS .....	49
ACCIONAMIENTO Y VISIBILIDAD DE LA GUARDA .....	41	TABLA 1: CORTE DE INGLETE COMPUESTO .....	50
AJUSTE DE LA ESCALA DE INGLETE.....	41		
CEPILLOS.....	41		



## Instrucciones de seguridad importantes



**ADVERTENCIA:** Al utilizar herramientas eléctricas, siempre se deben tomar ciertas precauciones básicas de seguridad para minimizar el riesgo de incendio, descarga eléctrica y lesiones personales.

### LEA TODAS LAS INSTRUCCIONES

#### Doble aislamiento

Las herramientas de doble aislamiento están fabricadas en su totalidad con dos capas separadas o con una capa de doble espesor de aislamiento eléctrico, que protege al usuario del sistema eléctrico de la herramienta. Las herramientas fabricadas con este sistema de aislamiento no requieren conexión a tierra. En consecuencia, esta herramienta está equipada con un enchufe de dos patas que le permite utilizar cables prolongadores sin tener que preocuparse por mantener la conexión a tierra.

**NOTA:** El doble aislamiento no sustituye las precauciones normales de seguridad que se deben tomar al utilizar la herramienta. El sistema de aislamiento es una medida de protección adicional contra cualquier lesión resultante de una posible falla eléctrica del sistema de aislamiento interno de la herramienta.

**▲PRECAUCIÓN:** AL REPARAR, SÓLO UTILICE PIEZAS DE REPUESTO IDÉNTICAS A LAS ORIGINALES. Repare o reemplace los cables dañados.

#### Enchufes polarizados

Los enchufes polarizados (una pata es más ancha que la otra) se utilizan en los equipos para reducir el riesgo de descarga eléctrica. Este enchufe se ajusta al tomacorriente polarizado de una sola manera. Si el enchufe no se ajusta totalmente al tomacorriente, invierta el enchufe. Si aun así no se ajusta bien, recurra a un electricista calificado para que instale un tomacorriente adecuado. No cambie el enchufe de ninguna manera.

#### Instrucciones de seguridad para todas las herramientas

- **MANTENGA LA GUARDA INSTALADA ADECUADAMENTE** y en funcionamiento.
- **RETIRE LAS CLAVIJAS DE AJUSTE Y LLAVES DE TUERCAS.** Acostúmbrese a verificar que se hayan retirado del eje las clavijas de ajuste y las llaves de tuercas antes de encender la herramienta.
- **MANTENGA LIMPIA EL ÁREA DE TRABAJO.** Los espacios y los bancos de trabajo abarrotados propician accidentes.
- **NO UTILICE HERRAMIENTAS EN LUGARES PELIGROSOS.** No utilice herramientas eléctricas en lugares húmedos o mojados, y no las exponga a la lluvia o a la nieve. Mantenga bien iluminada el área de trabajo.
- **MANTENGA A LOS NIÑOS ALEJADOS.** Los visitantes deben mantenerse a una distancia segura del área de trabajo.
- **PROCURE QUE SU TALLER SEA INACCESIBLE PARA LOS NIÑOS;** instale candados e interruptores maestros, o retire las llaves que accionan las herramientas.
- **NO FUERCE LA HERRAMIENTA.** Funcionará mejor y será más segura si la utiliza a la velocidad para la que fue diseñada.
- **UTILICE LA HERRAMIENTA ADECUADA.** No fuerce la herramienta o el accesorio en tareas para las que no fueron diseñados.
- **UTILICE INDUMENTARIA ADECUADA.** No utilice ropa holgada, guantes, corbatas, anillos, pulseras u otras alhajas que puedan quedar atrapadas entre las piezas móviles. Se recomienda el uso de calzado antideslizante. Recójase y cubra el cabello largo. Los orificios de ventilación pueden cubrir piezas en movimiento, por lo que también se deben evitar.
- **UTILICE SIEMPRE ANTEOJOS DE SEGURIDAD.** Utilice también máscaras faciales o para polvo si el corte produce polvillo. Los anteojos de uso diario sólo cuentan con lentes resistentes a impactos, NO son anteojos de seguridad. Todos los usuarios y

espectadores deben utilizar protección para los ojos conforme a las normas ANSI Z87.1. (CAN/CSA Z94.3)

- **SUJETE LA PIEZA DE TRABAJO.** Utilice abrazaderas o tornillos de banco si no puede sujetar con las manos la pieza de trabajo a la mesa y contra la guía, o si su mano queda muy cerca de la hoja (a menos de 15 cm ó 6").
- **NO SE ESTIRE.** Conserve el equilibrio adecuado y manténgase parado correctamente en todo momento.
- **CONSERVE LAS HERRAMIENTAS ADECUADAMENTE.** Mantenga las herramientas afiladas y limpias para obtener el mejor y más seguro rendimiento. Siga las instrucciones para lubricar y cambiar los accesorios.
- **DESCONECTE LAS HERRAMIENTAS** antes de realizar reparaciones y al cambiar accesorios como hojas, brocas, cuchillas, etc.
- **REDUZCA EL RIESGO DE ENCENDIDO ACCIDENTAL.** Asegúrese de que el interruptor esté en la posición de APAGADO (OFF) antes de enchufar.
- **UTILICE ACCESORIOS RECOMENDADOS.** Consulte el manual de instrucciones para obtener información acerca de los accesorios recomendados. La utilización de accesorios inadecuados puede ocasionar lesiones personales.
- **NUNCA SE PARE SOBRE LA HERRAMIENTA.** Si la herramienta se cae o alguien toca accidentalmente el elemento cortante, podrían producirse lesiones graves.
- **VERIFIQUE QUE NO HAYA PIEZAS DAÑADAS.** Antes de volver a utilizar la herramienta, se deben controlar cuidadosamente los protectores o cualquier otra pieza dañada para asegurar el funcionamiento y el rendimiento apropiados de la herramienta en la aplicación deseada. Verifique la unidad para comprobar la alineación de las piezas móviles, si hay piezas dañadas, bloqueos o cualquier otra situación que pueda afectar el funcionamiento de la herramienta. Los protectores u otras piezas dañadas deben ser correctamente reparados o reemplazados. No utilice la herramienta si no puede encenderla o apagarla con el interruptor.
- **NUNCA DEJE LA HERRAMIENTA EN FUNCIONAMIENTO Y SIN ATENCIÓN. DESCONECTE LA ENERGÍA.** No suelte la herramienta hasta que no se haya detenido por completo.
- **NO OPERE HERRAMIENTAS ELÉCTRICAS CERCA DE LÍQUIDOS INFLAMABLES O EN ATMÓSFERAS GASEOSAS O EXPLOSIVAS.** Los motores de estas herramientas originan chispas que pueden encender los vapores.
- **CABLES PROLONGADORES.** Asegúrese de que el cable prolongador esté en buenas condiciones. Cuando utilice un cable prolongador, asegúrese de que tenga la capacidad para conducir la corriente que su producto exige. Un cable de menor capacidad provocará una disminución en el voltaje de la línea que producirá pérdida de potencia y sobrecalentamiento. La siguiente tabla muestra la medida correcta que debe utilizar según la longitud del cable y la capacidad nominal en amperios indicada en la placa. En caso de duda, utilice el calibre inmediatamente superior. Cuanto menor es el número de calibre, más grueso es el cable.

#### Calibre mínimo para cables prolongadores

Voltios	Longitud total del cable en metros				
	0-7,6	7,6-15,2	15,2-30,4	30,4-45,7	
120V	0-7,6	7,6-15,2	15,2-30,4	30,4-45,7	
240V	0-15,2	15,2-30,4	30,4-60,9	60,9-91,4	
Amperaje					
Más de	No más de	Calibre del cable AWG			
0	- 6	18	16	16	14
6	- 10	18	16	14	12
10	- 12	16	16	14	12
12	- 16	14	12	No recomendado	

## Normas de seguridad adicionales para las sierras ingletadoras

**⚠ PRECAUCIÓN:** EL INCUMPLIMIENTO DE ESTAS ADVERTENCIAS PUEDE CAUSAR LESIONES PERSONALES Y PROVOCAR DAÑOS GRAVES A LA SIERRA.

- **SÍ** - Proteja la línea de suministro eléctrico con un disyuntor de 15 amperios mínimo o un fusible de acción retardada de 15 amperios.
- **SÍ** - Asegúrese de que la hoja gire en la dirección adecuada y que los dientes de la parte inferior de la hoja apunten hacia la parte trasera de la sierra ingletadora.
- **SÍ** - Asegúrese de que los mangos de las abrazaderas estén ajustados antes de comenzar cualquier operación.
- **SÍ** - Asegúrese de que las hojas y las arandelas de la abrazadera estén limpias y que los lados embutidos de los anillos estén contra la hoja. Ajuste el tornillo del mandril firmemente.
- **SÍ** - Mantenga afilada la hoja de la sierra.
- **SÍ** - Controle que no se acumulen astillas y suciedad en las ventilaciones del motor.
- **SÍ** - Utilice las guardas de la hoja en todo momento.
- **SÍ** - Mantenga las manos alejadas del trayecto de la hoja de la sierra.
- **SÍ** - Desconecte la energía, desenchufe el cable de la fuente de energía y espere a que la hoja de la sierra se detenga antes de realizar reparaciones o ajustes en la herramienta.
- **SÍ** - Apoye las piezas largas en soportes de herramientas externos.
- **NO** intente operar la herramienta con un voltaje que no sea el adecuado.
- **NO** comience a operar la herramienta a menos que todos los mangos de las abrazaderas estén ajustados.
- **NO** utilice hojas de mayor o menor tamaño que el recomendado.
- **NO** trabe el ventilador con objetos para detener el eje del motor.
- **NO** fuerce la acción de corte. (La parada total o parcial del motor puede provocar daños graves. Permita que el motor alcance la velocidad máxima antes de cortar).
- **NO** corte metales ferrosos (que contengan hierro o acero) o mampostería.
- **NO** utilice discos abrasivos. El exceso de calor y las partículas abrasivas que generan estos discos pueden dañar la sierra.
- **NO** permita que nadie se pare detrás de la sierra.
- **NO** aplique lubricantes a la hoja en funcionamiento.
- **NO** coloque las manos en el área de la hoja mientras la sierra esté conectada a la fuente de energía.
- **NO** utilice hojas de velocidad inferior a 4800 rpm.
- **NO** corte piezas pequeñas sin sujetarlas con abrazaderas. Mantenga las manos a una distancia de por lo menos 15 cm (6) de la hoja.
- **NO** opere la sierra si las guardas no están adecuadamente instaladas.
- **NO** realice ninguna operación a pulso.
- **NO** intente alcanzar objetos alrededor o detrás de la hoja de la sierra.
- **NO** coloque las manos a menos de 15 cm (6 pulgadas) de la hoja de la sierra.
- **NO** intente alcanzar objetos debajo de la sierra, a menos que esté apagada y desenchufada. La hoja está expuesta en la parte inferior de la sierra.
- **NO** retire las manos de la sierra o la pieza de trabajo ni levante los brazos hasta que la sierra se haya detenido.
- **NO** utilice lubricantes o limpiadores (especialmente pulverizadores o aerosoles) cerca del protector de plástico. El policarbonato utilizado para las guardas puede ser corroído por ciertos productos químicos.
- Utilice siempre la placa de corte y reemplácela cuando esté dañada, ya que la acumulación de pequeñas astillas debajo de la sierra puede interferir con la hoja de la sierra o provocar la inestabilidad de la pieza de trabajo durante el corte.

**⚠ PRECAUCIÓN:** No conecte la unidad a la fuente de energía hasta no haber leído y comprendido todas las instrucciones.

**⚠ PRECAUCIÓN:** Utilice la protección auditiva apropiada mientras usa la herramienta. En ciertas condiciones y según el período de uso, el ruido provocado por este producto puede llevar a la pérdida de audición.

**⚠ ADVERTENCIA:** Algunas partículas originadas al lijar, aserrar, amolar, taladrar y realizar otras actividades de construcción contienen productos químicos que producen cáncer, defectos de nacimiento y otros problemas reproductivos. Algunos ejemplos de estos productos químicos son:

- el plomo de las pinturas de base plomo,
- la sílice cristalina de ladrillos, cemento y otros productos de mampostería, y
- el arsénico y el cromo de la madera con tratamiento químico (CCA).

El riesgo derivado de estas exposiciones varía según la frecuencia con la que se realice este tipo de trabajo. Para reducir la exposición a estos productos químicos: se recomienda trabajar en áreas bien ventiladas y usar equipos de seguridad aprobados, como las máscaras para polvo especialmente diseñadas para filtrar las partículas microscópicas.

• **Evite el contacto prolongado con las partículas de polvo originadas al lijar, aserrar, esmerilar, taladrar y realizar demás actividades de la construcción. Use indumentaria protectora y lave las áreas expuestas con agua y jabón.** Evite que el polvo entre en la boca y en los ojos o se deposite en la piel, para impedir la absorción de productos químicos nocivos.

**⚠ ADVERTENCIA:** El uso de esta herramienta puede generar o dispersar partículas de polvo, que pueden causar lesiones respiratorias permanentes y graves u otras lesiones. Use siempre protección respiratoria aprobada por NIOSH/OSHA (Instituto Nacional de Salud y Seguridad Ocupacional de EE.UU./Administración de la Salud y Seguridad Ocupacional de EE.UU.) apropiada para la exposición al polvo. Aleje las partículas de la cara y el cuerpo.

Para su comodidad y seguridad, la herramienta incluye las siguientes etiquetas de advertencia.

### EN LA CAJA DEL MOTOR:

**⚠ ADVERTENCIA: POR SU PROPIA SEGURIDAD, LEA EL MANUAL DE INSTRUCCIONES ANTES DE OPERAR LA SIERRA. AL REPARAR, SÓLO UTILICE PIEZAS DE REPUESTO IDÉNTICAS. NO EXPONGA A LA LLUVIA NI UTILICE EN LUGARES HÚMEDOS SIEMPRE UTILICE PROTECCIÓN PARA LOS OJOS.**

### EN LOS REBORDES MÓVILES:

**SIEMPRE REGULE CORRECTAMENTE EL REBORDE ANTES DE UTILIZAR LA HERRAMIENTA. Ajuste las piezas pequeñas antes de cortar. Consulte el manual.**

### EN LA GUARDA:

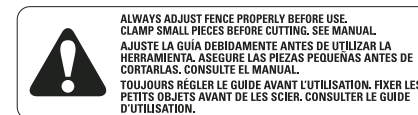
**PELIGRO - MANTÉNGASE ALEJADO DE LA HOJA.**

### EN LA GUARDA SUPERIOR:

**SUJETE EL SOPORTE CORRECTAMENTE CON AMBOS TORNILLOS ANTES DE USAR.**

### EN LA MESA: (2 LUGARES)

**AJUSTE SIEMPRE LAS PERILLAS DE REGULACIÓN ANTES DE UTILIZAR LA HERRAMIENTA. MANTENGA LAS MANOS A 15 CM (6) DEL TRAYECTO DE LA HOJA DE LA SIERRA. NUNCA REALICE OPERACIONES A PULSO. NUNCA CRUCE LOS BRAZOS FRENTE A LA HOJA. ¡PRESTE ATENCIÓN! EVITE LOS ACCIDENTES. NO OPERE LA SIERRA SI LAS GUARDAS NO ESTÁN ADECUADAMENTE INSTALADAS. APAGUE LA HERRAMIENTA, MANTENGA LA CABEZA DE LA SIERRA**



**DANGER  
PELIGRO**

KEEP AWAY  
FROM BLADE  
MANTENERS ALEJADO  
DE LA HOJA  
S'ÉLOIGNER DE LA LAME



**HACIA ABAJO Y ESPERE A QUE SE DETENGA ANTES DE MOVER LAS MANOS, LA PIEZA DE TRABAJO O CAMBIAR LOS AJUSTES. DESENCHUFE LA HERRAMIENTA ANTES DE CAMBIAR LA HOJA, MOVER O REPARAR LA UNIDAD.**

EN LA BASE:



## Conexión eléctrica

Asegúrese de que la fuente de energía concuerde con lo que se indica en la placa. 120 voltios, CA significa que la sierra funciona con corriente alterna. El interruptor puede fallar si se utiliza corriente directa. Un descenso en el voltaje del diez por ciento o más producirá una pérdida de potencia y sobrecalentamiento. Todas las herramientas DEWALT están probadas en fábrica. Si esta herramienta no funciona, revise el suministro de energía.

## Accesorios

Los accesorios que se recomiendan para utilizar con su sierra están disponibles a un costo adicional en el centro de servicio de su localidad.

**▲ PRECAUCIÓN:** El uso de accesorios no recomendados, como los juegos de discos para ranuras, las cuchillas para molduras o los discos abrasivos, puede ser peligroso.

Si necesita ayuda para localizar algún accesorio, comuníquese con DEWALT Industrial Tool Co., 701 East Joppa Road, Baltimore, MD 21286 o llame al 1-800-4-DEWALT (1-800-433-9258).

## Accesorios opcionales

Los siguientes accesorios, diseñados para su sierra, pueden resultar útiles. En algunos casos, pueden resultar más apropiados otros soportes para piezas de trabajo, topes longitudinales, abrazaderas, etc. obtenidos localmente. Sea cuidadoso al seleccionar y utilizar los accesorios.

### Sistema de dirección por láser: DW7187

Puede adquirir el láser a un costo adicional en los centros de mantenimiento DEWALT y en los comercios de venta de productos para el hogar. Las instrucciones para la instalación vienen con el accesorio. Lea y siga todas las instrucciones para una instalación y utilización seguras.

### Soporte de extensión para piezas de trabajo: DW7080

Se utiliza para sostener piezas de trabajo largas que sobresalen; debe ser montado por el usuario. La mesa de la sierra está diseñada para dos soportes de piezas de trabajo, uno de cada lado.

### Tope longitudinal regulable: DW7051

Requiere el uso de un soporte de pieza de trabajo (página 37). Se utiliza para realizar cortes repetitivos de la misma longitud, de 0 cm a 107 cm (0" a 42").

### Abrazadera: DW7082

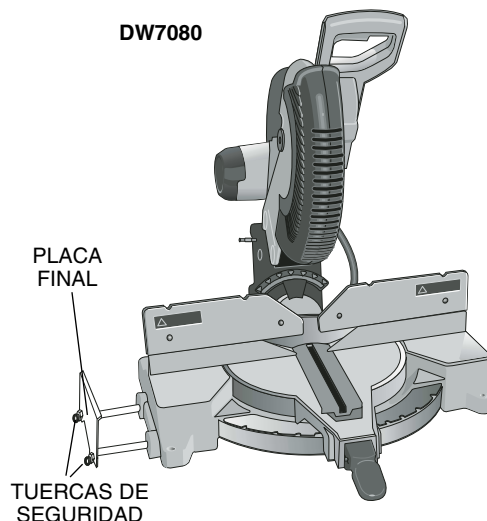
Se utiliza para sujetar firmemente la pieza de trabajo a la mesa de la sierra y lograr así cortes de precisión.

### Bolsa para polvo: DW7053 (Incluida en algunos modelos)

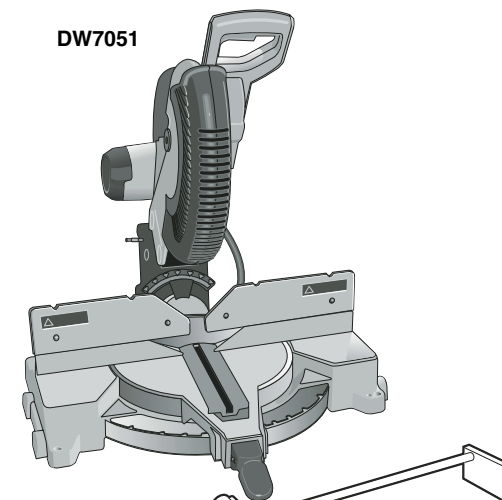
Equipada con cierre para permitir su práctico vaciado, la bolsa para polvo recoge la mayor parte del aserrín generado (no se muestra).

**NOTA:** Deflector en el tubo de descarga de polvo que canaliza el polvo hacia el piso. El tubo de descarga puede anexarse a la manguera de una aspiradora para recolectar el polvo de la sierra. Levante el tubo de descarga de polvo para conectar la manguera.

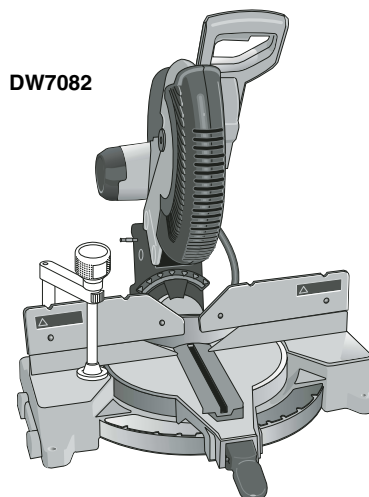
DW7080



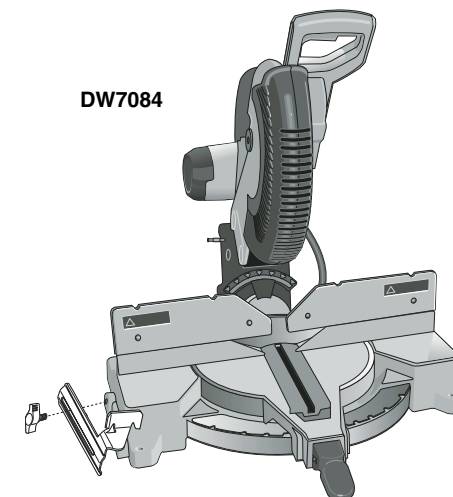
DW7051



DW7082



DW7084





## Reborde para molduras de corona: DW7084

Se utiliza para el corte preciso de molduras de corona.

## Placa de corte ciega: DW7055

Se utiliza para limitar el astillado de la parte trasera del material o como placa de corte de reemplazo.

HOJAS DE SIERRA: UTILICE SIEMPRE HOJAS DE SIERRA DE 30 CM (12") CON ORIFICIOS PARA MANDRIL DE 2,5 CM (1"). LA VELOCIDAD DEBE SER DE AL MENOS 4800 rpm. Nunca use hojas de menor diámetro. No estarán adecuadamente protegidas.

DESCRIPCIONES DE LAS HOJAS				
APLICACIÓN	MODELO N°	DIÁMETRO	DIENTES	DIENTE ESMERILADO
<b>HOJAS DE SIERRA PARA LA CONSTRUCCIÓN</b> <i>(ranura fina con borde antiadherente)</i>				
Propósito general	DW3123	12"	32	ATB
Excelentes cortes transversales	DW3126	12"	60	ATB
Excelentes cortes transversales	DW3128	12"	80	ATB
<b>HOJAS DE SIERRA PARA CARPINTERÍA</b> <i>(producen cortes limpios y parejos)</i>				
Excelentes cortes transversales	DW7648	12"	60	ATB
Excelentes cortes transversales	DW7649	12"	80	ATB
Cortes transversales ultra finos	DW7650	12"	96	ATB
Laminados	DW7661	12"	80	TCG
Superficie sólida y plásticos	DW7668	12"	80	Mod TCG
Metales no ferrosos	DW7666	12"	80	TCG

## Desembalar la sierra

Controle el contenido de la caja de la sierra ingletadora para asegurarse de haber recibido todas las piezas. Además de este manual de instrucciones, la caja debe contener:

1. Una sierra ingletadora N° DW716.
2. Una hoja de sierra DEWALT de 30 cm (12") de diámetro.
3. Una llave de la hoja en estuche, ilustrada en la figura 2.
4. Una bolsa para polvo DW7053 (algunos modelos).

## Especificaciones

### CAPACIDAD DE CORTE

Inglete de 50° a la izquierda y a la derecha

48° de bisel a izquierda y derecha

0° de inglete

Altura máxima de 91,5 mm (3,6") Ancho resultante 183 mm (7,2")  
Ancho máximo 200,7 mm (7,9") Altura resultante 73,7 mm (2,9")

45° de inglete

Altura máxima de 91,5 mm (3,6") Ancho resultante 125 mm (4,9")  
Ancho máximo 140 mm (5,5") Altura resultante 73,7 mm (2,9")

45° de bisel - izquierda

Altura máxima de 58,4 mm (2,3") Ancho resultante 188 mm (7,4")  
Ancho máximo 200,7 mm (7,9") Altura resultante 48,3 mm (1,9")

45° de bisel - derecha

Ancho máximo 200,7 mm (7,9") Altura resultante 28 mm (1,1")  
Altura máxima de 40,6 mm (1,6") Ancho resultante 180,3 mm (7,1")

La sierra puede cortar molduras de zócalo de 22.9 mm (0,9") de espesor por 152.4 mm (6,0") de alto a 45° de inglete derecho o izquierdo.

**NOTA:** La sierra, con un procedimiento de configuración especial, puede cortar (consulte Cortes especiales):

0° de inglete 38,1 mm de altura (1,5")  
255 mm de ancho (10")  
45° de inglete 38,1 mm de altura (1,5")  
190,5 mm de ancho (7,5")

## DESTORNILLADOR

### Motor de 120 voltios

1 675 vatios (entrada máxima) Motor de 15 amperios  
3 600 RPM Engranajes fresados helicoidales  
Correa en V múltiple Rodamientos de bolas  
Freno eléctrico automático Hoja de carburo

## Familiarizarse con la herramienta

Su sierra ingletadora está completamente ensamblada en la caja. Abra la caja y extraiga la sierra sujetándola de la práctica agarradera de transporte, como se indica en la Figura 1. Coloque la sierra sobre una superficie lisa y plana, como un banco de trabajo o una mesa fuerte.

Analice la Figura 2 para familiarizarse con la sierra y sus piezas. En la sección de ajustes se describen estas piezas, y es preciso que usted sepa cuáles son y en qué lugar se encuentran.

Presione levemente el mango de operación y despliegue la clavija de seguridad, como se muestra en la Figura 2. Lentamente, deje de presionar y permita que el brazo se eleve a la altura máxima. Utilice la clavija de seguridad al transportar la sierra de un lugar a otro. Para trasladar la sierra, utilice siempre la agarradera de transporte o el asidero que se muestran en la Figura 2.

## Montaje en el banco de trabajo

Las cuatro patas tienen orificios para facilitar el montaje en el banco, como se muestra en la Figura 2. (Los orificios son de dos tamaños diferentes para adaptarse a distintos tamaños de tornillos. Utilice cualquiera de los dos orificios, no es necesario utilizar ambos). Siempre monte la sierra firmemente en una superficie estable, para evitar movimientos. Para facilitar su transporte, se puede montar la herramienta a una pieza de madera contrachapada de 1,2 cm (1/2") de espesor o más, que puede a su vez fijarse al soporte de la pieza de trabajo o trasladarse a otros puestos de trabajo y volver a fijarse.

**NOTA:** Si elige montar la sierra a una pieza de madera contrachapada, asegúrese de que los tornillos de montaje no sobresalgan de la parte inferior de la madera. La madera contrachapada debe quedar bien estabilizada sobre el soporte de trabajo. Al sujetar la sierra a cualquier superficie de trabajo, utilice únicamente los refuerzos de sujeción donde se encuentran los orificios de los tornillos de montaje. Si la sujeta en cualquier otro lugar es probable que interfiera con el funcionamiento adecuado de la sierra.

**▲ PRECAUCIÓN:** Para evitar bloqueos e imprecisiones, asegúrese de que la superficie de montaje no esté deformada ni desnivelada. Si la sierra oscila sobre la superficie de trabajo, coloque un trozo delgado de material bajo una de las patas de la sierra para afirmarla sobre la superficie de montaje.

FIG. 1

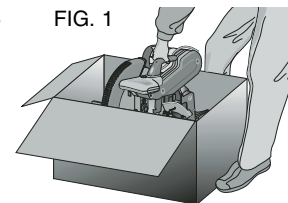
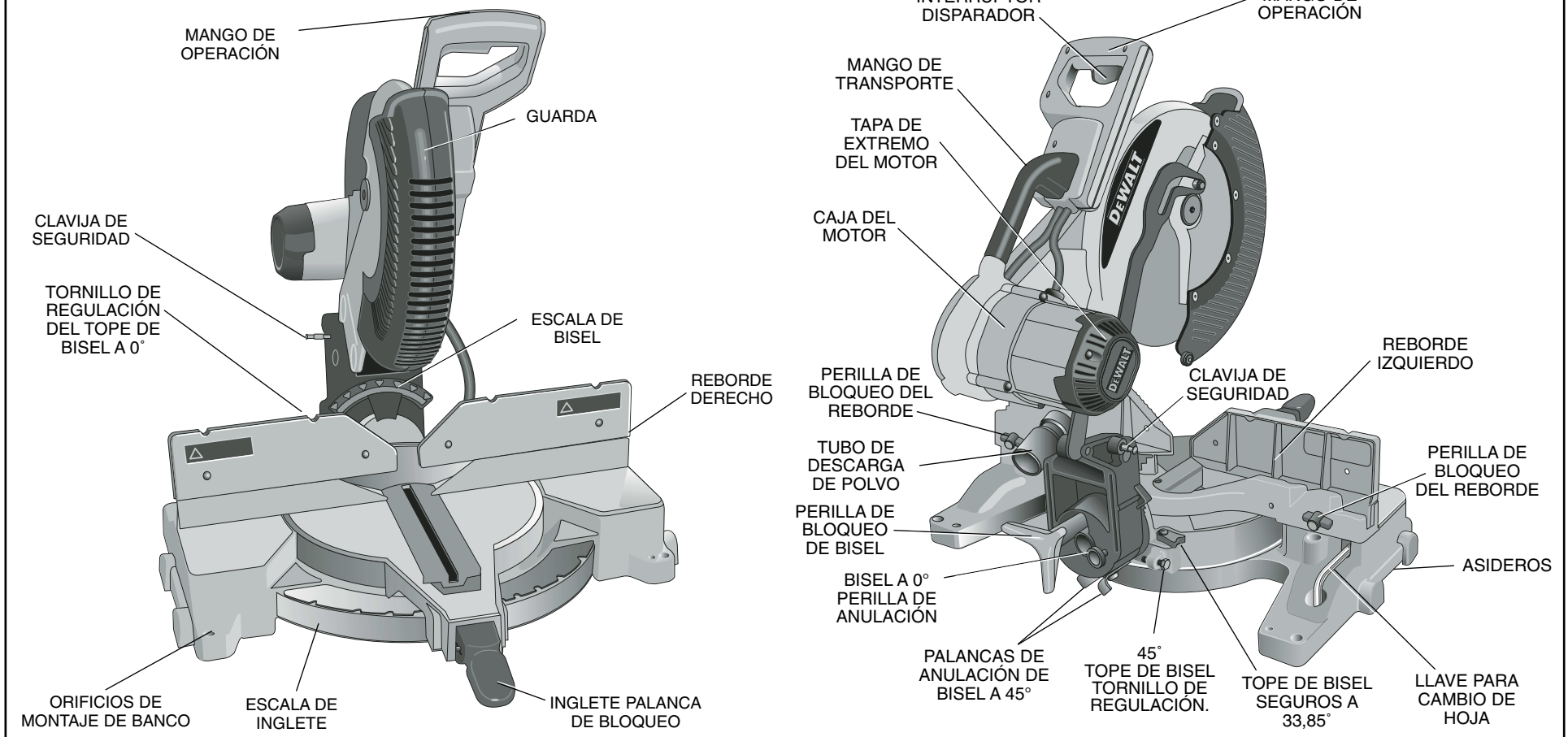




FIG. 2



## **INSTRUCCIONES DE SEGURIDAD** **IMPORTANTES**

### **Cambio o instalación de una hoja de sierra nueva (Fig. 3)**

#### **⚠ PRECAUCIÓN:**

- Nunca oprima el botón de bloqueo del eje mientras la hoja esté en funcionamiento o en marcha por inercia.
- No utilice esta sierra ingletadora para cortar metales ferrosos (que contengan hierro o acero) o mampostería o productos de cemento de fibra.

#### **Retiro de la hoja**

1. Desenchufe la sierra.
2. Levante el brazo hasta la posición superior y levante el protector inferior (A) todo lo que sea posible.
3. Afloje, pero no retire el tornillo del soporte del protector (B) hasta que se pueda levantar suficientemente el

soporte como para tener acceso al tornillo de la hoja. El protector inferior permanecerá levantado debido a la posición del tornillo del soporte del protector.

FIG. 3

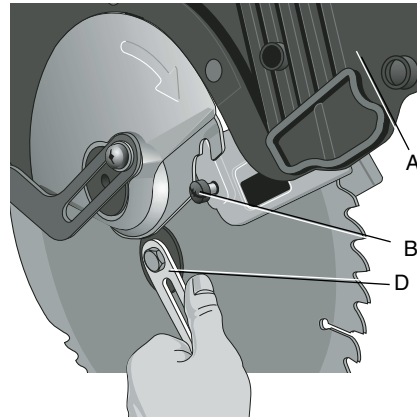
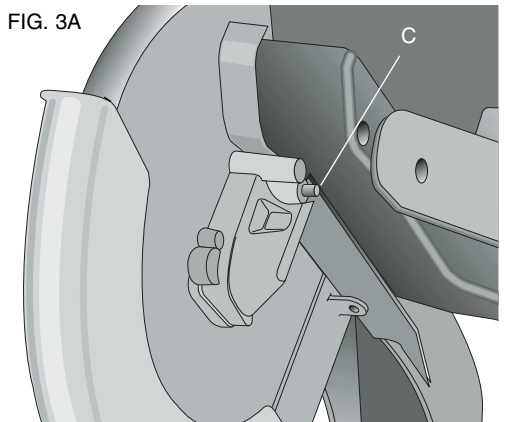


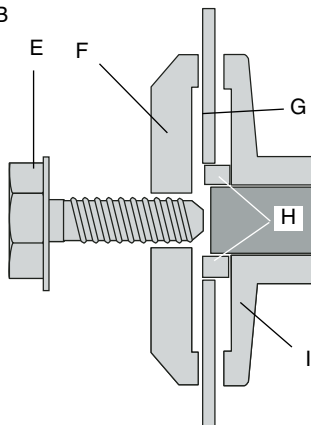
FIG. 3A



4. Oprima el botón de bloqueo del eje (C) mientras gira cuidadosamente la hoja de la sierra a mano hasta enganchar el bloque.

- Manteniendo el botón oprimido, utilice la otra mano y la llave proporcionada (D) para aflojar el tornillo de la hoja. (Gire en sentido de las agujas del reloj, roscas de mano izquierda)
- Retire el tornillo de la hoja (E), la arandela de abrazadera externa (F) y la hoja (G). El adaptador de hoja de 25,4 mm (1") (H), si se utiliza, y la arandela de abrazadera interior (I) pueden dejarse en el eje.

FIG. 3B



**NOTA:** El adaptador de hoja de 25,4 mm (1") no se utiliza en las hojas que tienen un orificio de 15,88 mm (5/8").

### Instalación de la hoja

- Desenchufe la sierra.
- Con el brazo levantado, el protector inferior abierto y la placa de rotación levantada, ubique la hoja en el eje sobre el adaptador de hoja (si utiliza una hoja con orificio de 25,4 mm (1") de diámetro) y contra la arandela de la abrazadera interna con los dientes de la parte inferior de la hoja apuntando hacia la parte trasera de la sierra.
- Monte la arandela de abrazadera externa sobre el eje.
- Instale el tornillo de la hoja y, enganchando el bloqueo del eje, ajuste el tornillo firmemente con la llave provista. (Gire en sentido contrario a las agujas del reloj, roscas de mano izquierda)

**NOTA:** Cuando se utilizan hojas con un orificio de 15,88 mm (5/8") de diámetro, no se utiliza el adaptador de hoja, que debe guardarse en un lugar seguro.

- Vuelva a colocar el soporte del protector en su posición original y ajuste firmemente el tornillo del mismo para mantenerlo en su lugar.

### ⚠ ADVERTENCIA:

- Antes de poner en funcionamiento la sierra, se debe volver a colocar el soporte del protector en su posición original y ajustar el tornillo.**

- Si no se cumple con esta indicación, el protector podría tocar la hoja de la sierra en rotación y provocar daños a la sierra y lesiones personales graves.**

### Transporte de la sierra

**APAGUE Y DESENCHUFE LA SIERRA INGLETADORA ANTES DE MOVERLA O REALIZAR CUALQUIER TIPO DE AJUSTE!**

Para poder transportarla fácilmente de un lugar a otro, se ha incorporado una agarradera de transporte en la parte superior del brazo de la sierra y asideros en la base, como se muestra en la Figura 4.

FIG. 4



### Ajustes

**DESENCHUFE LA SIERRA INGLETADORA PARA REALIZAR CUALQUIER AJUSTE.**

**NOTA:** La sierra ingletadora recibe todos los ajustes necesarios y precisos durante el proceso de fabricación. Si se precisa realizar nuevos ajustes debido al envío y la manipulación, o por cualquier otro motivo, siga los siguientes pasos.

Una vez realizados, estos ajustes no se volverán a desconfigurar. Tómese el tiempo necesario y siga estas instrucciones cuidadosamente para mantener el alto nivel de precisión de la sierra.

#### AJUSTE DE LA ESCALA DE INGLETE (FIG. 5)

Coloque una escuadra contra el reborde y la hoja de la sierra. (No toque las puntas de los dientes de la hoja con la escuadra. Si lo hace, la medición obtenida será imprecisa). Desbloquee la palanca de bloqueo de inglete (J) y gire el brazo de inglete hasta que el cerrojo de inglete lo traben en la posición de inglete 0. No trabe la palanca de bloqueo de inglete (J). Si la hoja de la sierra no está

exactamente perpendicular al reborde, afloje los tres tornillos que sujetan la escala de inglete a la base y mueva la escala a la izquierda o a la derecha hasta que la hoja esté perpendicular al reborde, según se midió con la escuadra. Vuelva a ajustar los tres tornillos. Por el momento, no preste atención a la medida que aparece en el indicador de inglete.

#### REGULACIÓN DEL INDICADOR DE INGLETE (FIG. 5 Y 6)

Para desbloquear, levante la palanca de bloqueo de inglete (J) y oprima el cerrojo de inglete (K) para mover el brazo de inglete a la posición cero. Una vez que haya desbloqueado la palanca de bloqueo de inglete, permita que el cerrojo de inglete quede en la posición correcta a medida que usted gira el brazo de inglete a la posición cero. Observe el indicador y la escala de inglete a través del orificio de visualización que se muestran en la Figura 6. Si el indicador no marca exactamente cero, afloje el tornillo que sujeta el indicador, vuelva a posicionarlo y ajuste el tornillo.

#### BISEL A ESCUADRA CON LA MESA (FIG. 7)

Para alinear la hoja en escuadra con la mesa giratoria, bloquee el brazo en la posición hacia abajo. Coloque una escuadra contra la hoja.

teniendo cuidado de no colocarla sobre un diente. Afloje la perilla de bloqueo de bisel (L) y asegúrese de que el brazo esté firme contra el tope de bisel a 0°. Mueva el tope de bisel a 0° de modo de ajustar el tornillo (T) tanto como sea necesario para que la hoja esté a cero grados del banco.

#### INDICADOR DE BISEL (FIG. 7)

Si el indicador de bisel (M) no marca cero, afloje el tornillo que lo sujeta en su lugar y mueva el indicador tanto como sea necesario. No retire la placa de acero en la parte frontal del indicador de bisel. Esta placa evita que la resina de la madera se acumule en la escala de bisel durante su uso.

#### CÓMO AJUSTAR EL TOPE DE BISEL A 45° A LA IZQUIERDA O DERECHA (FIG. 8)

**NOTA:** Ajuste los ángulos de bisel a 45° solamente después de colocar el bisel a 0° y realizar el ajuste del indicador. Asegúrese de que el bisel a 45° no permita presionar las palancas (N) hacia adentro para obtener un ajuste preciso.

Para ajustar el ángulo de bisel a 45° a la derecha, afloje la perilla de bloqueo de bisel (L) y oprima la perilla de anulación del tope de bisel (S) para anular el tope de bisel a 0°. Cuando la sierra esté completamente hacia la derecha, si el indicador no marca exactamente 45°, gire el tornillo del tope de bisel hacia la derecha (O) hasta que el indicador marque 45°.

Para ajustar el tope del bisel a 45° a la izquierda, primero suelte la perilla de bloqueo del bisel (L) e incline la cabeza hacia la izquierda. Si el indicador no señala 45° exactamente, gire el tornillo del tope del bisel hacia la izquierda hasta que indique 45°.

FIG. 5

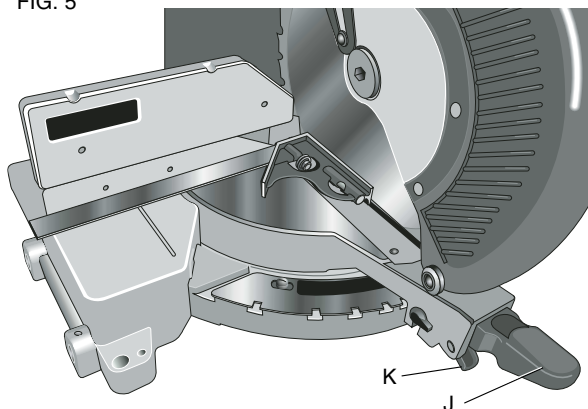


FIG. 8

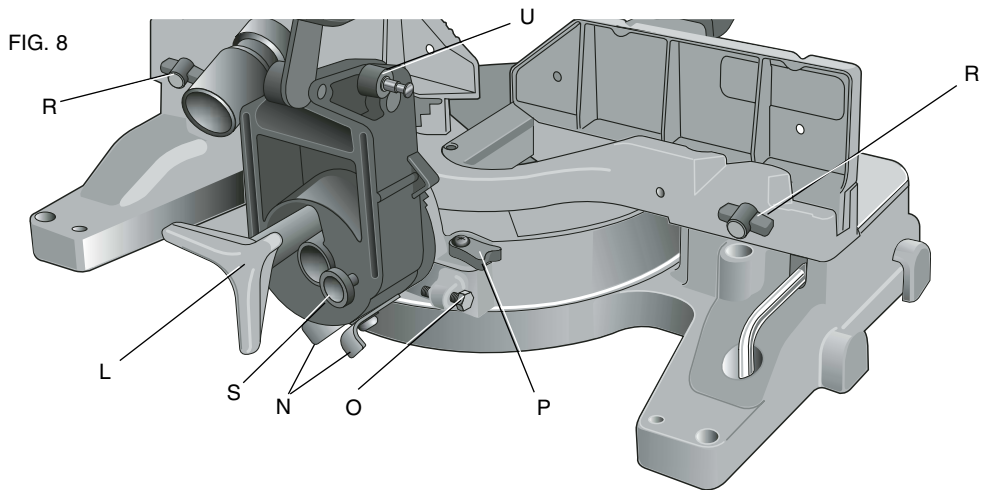


FIG. 6

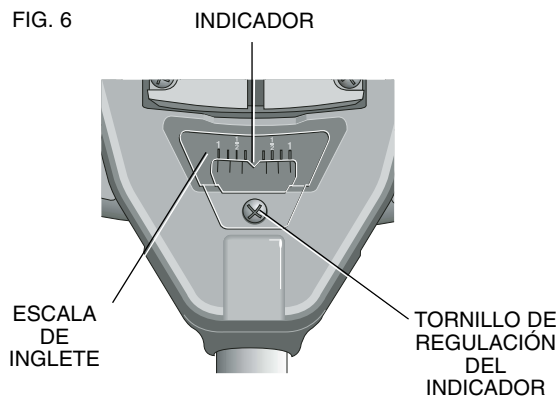
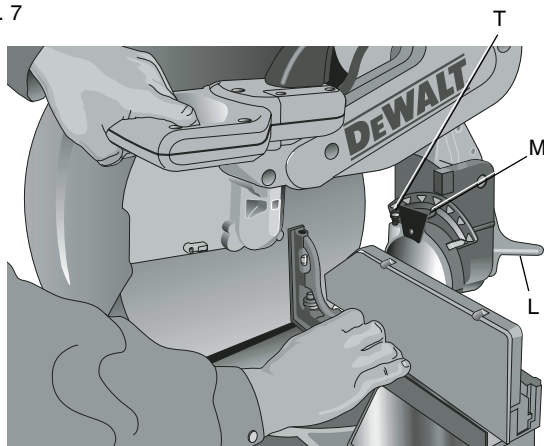


FIG. 7



**CÓMO AJUSTAR EL TOPE DEL BISEL A 33,85° (FIG. 8)**

**NOTA:** Ajuste el ángulo del bisel a 33,85° solamente después de colocar el bisel a 0° y realizar el ajuste del indicador.

Para colocar el ángulo del bisel a 33,85°, despliegue el seguro del tope (P). Suelte la perilla del bloqueo de bisel (L) y gire la cabeza hacia la izquierda. Si el indicador no señala 33,85° exactamente, gire el tornillo en contacto con el seguro hasta que indique 33,85°.

Para ajustar el ángulo de bisel a 33,85° a la derecha, despliegue el seguro del tope. Afloje la perilla de bloqueo de bisel (L) y oprima el botón de anulación del tope de bisel (S) para anular el tope de bisel a 0°. Cuando la sierra esté completamente hacia la derecha, si el indicador no señala 33,85° exactamente, gire el tornillo en contacto con el seguro hasta que el indicador marque 33,85°.

**REGULACIÓN DE REBORDE**

**Apague y desenchufe la sierra ingletadora.**

Para que la sierra pueda biselar a 48° completos hacia la izquierda o derecha, los rebordes se pueden regular a fin de proporcionar espacio. Para ajustar un reborde, afloje la perilla de plástico (Figura 8, R) y deslice el reborde hacia afuera. Ensaye una vez con la sierra apagada y verifique que haya espacio suficiente. Regule el reborde para que quede lo más cerca posible de la hoja y proporcione un máximo soporte a la pieza de trabajo, sin interferir con el movimiento de elevación y descenso del brazo. Ajuste la perilla firmemente. Al completar las operaciones de biselado, no olvide reubicar el reborde.

**NOTA:** La ranura de guía de los rebordes puede obstruirse con aserrín. Si nota que ha comenzado a obstruirse, utilice un palillo o aire a baja presión para limpiar la ranura de guía.

**⚠ADVERTENCIA:** Siempre utilice protección para los ojos. Todos los usuarios y espectadores deben utilizar protección para los ojos conforme a las normas ANSI Z87.1. (CAN/CSA Z94.3)

**FRENO ELÉCTRICO AUTOMÁTICO**

La sierra viene equipada con un freno eléctrico automático que detiene la hoja de la sierra después de los cinco segundos de haber liberado el disparador. El freno no es regulable.

En algunas ocasiones puede producirse un retraso en la activación del freno luego de accionar el disparador. En muy pocas ocasiones puede ocurrir que el freno no se active en absoluto, en cuyo caso la hoja seguirá su marcha por inercia hasta detenerse.

Si se producen retrasos o “saltos”, apague y encienda la sierra cuatro o cinco veces. Si el problema persiste, haga reparar la herramienta en un centro de mantenimiento DEWALT autorizado.

Asegúrese siempre de que la hoja se haya detenido antes de retirarla de la ranura. El freno no sustituye a las guardas. Por su propia seguridad, preste atención a la sierra.

**ACCIONAMIENTO Y VISIBILIDAD DE LA GUARDA**

La guarda de la hoja de la sierra se eleva automáticamente cuando el brazo desciende, y desciende sobre la hoja cuando el brazo se eleva.



Al instalar o retirar hojas de sierra, o al realizar inspecciones, usted puede elevar la guarda en forma manual. **NUNCA ELEVE LA GUARDA DE LA HOJA MANUALMENTE A MENOS QUE LA SIERRA ESTÉ APAGADA.**

**NOTA:** Algunos cortes especiales de materiales de gran tamaño requieren que el usuario eleve la guarda en forma manual. Consulte la página 41.

La sección frontal del protector tiene rejillas que proporcionan visibilidad durante el corte. Si bien las rejillas reducen considerablemente los residuos volátiles, no dejan de ser orificios en la guarda, por lo que se deben usar anteojos de seguridad en todo momento al mirar por la rejilla.

#### AJUSTE DE LA ESCALA DE INGLETE (FIG. 11)

La barra de bloqueo de inglete debe ajustarse si la mesa de la sierra se mueve cuando el mango del bloqueo de inglete está hacia abajo. Para ajustarlo, coloque el mango del bloqueo de inglete en la posición hacia arriba. Si utiliza una llave hexagonal 3/32, suelte el tornillo de sujeción (W) en la clavija giratoria. Utilice un destornillador de cabeza plana para ajustar la barra de bloqueo girándola 1/8 en el sentido de las agujas del reloj de modo de incrementar la fuerza de bloqueo. Para garantizar que el bloqueo de inglete funcione correctamente, vuelva a bloquear el mango de bloqueo de inglete a un ángulo de inglete no bloqueado. Ajuste el tornillo de sujeción.

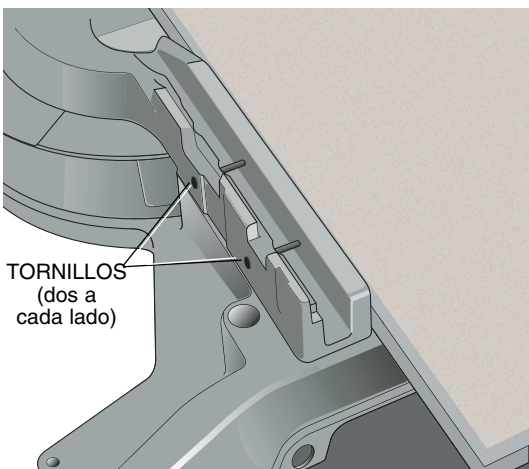
#### Cepillos

##### DESCONECTE EL ENCHUFE DE LA FUENTE DE ENERGÍA

Inspeccione regularmente los cepillos de carbono. Para hacerlo, desenchufe la herramienta, quite la tapa de extremo del motor (Fig. 2), levante el resorte del cepillo y retire el montaje de cepillos. Mantenga los cepillos limpios de manera que puedan deslizarse cómodamente en sus guías. Al reemplazar un cepillo usado, observe la posición en la que se encuentra en el soporte, a fin de colocar el nuevo cepillo en la misma posición. Los cepillos de carbono tienen diversos símbolos estampados en sus lados, y si el cepillo se ha gastado hasta aproximadamente 12 mm (1/2 pulgada) del resorte, dejará de ejercer presión, por lo que habrá que reemplazarlo. Utilice solamente cepillos DEWALT idénticos. Es fundamental utilizar cepillos de la calidad adecuada para que el freno eléctrico funcione correctamente. En los centros de mantenimiento DEWALT podrá conseguir nuevos montajes de cepillos. Se debe dejar que la herramienta funcione a prueba (sin carga) durante diez minutos antes de utilizarla, para que los cepillos nuevos se asienten. El freno eléctrico puede presentar fallas en su funcionamiento hasta que los cepillos estén adecuadamente asentados (gastados). Vuelva a colocar la tapa de inspección de cepillos luego de inspeccionar o reparar los cepillos.

Durante el funcionamiento "de prueba" NO ATE, ENCINTE O BLOQUEE EL INTERRUPTOR DISPARADOR. SOSTÉNGALO ÚNICAMENTE CON LA MANO.

FIG. 9



TORNILLOS  
(dos a  
cada lado)

FIG. 10

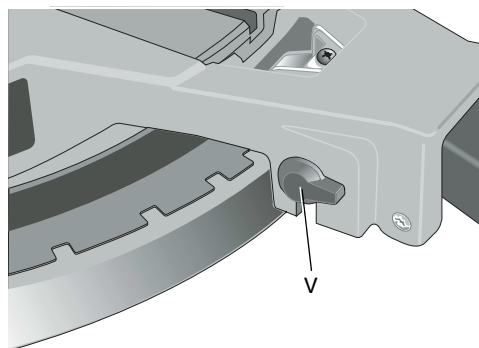
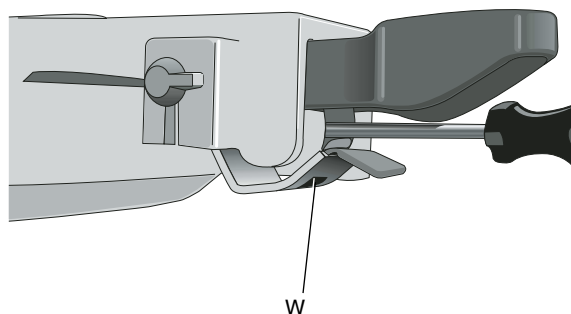


FIG. 11



## Controles

La sierra ingletadora compuesta tiene varios controles principales que serán analizados brevemente a continuación. Para obtener más información acerca de estos controles, consulte las secciones anteriores correspondientes en el manual.

#### CONTROL DE INGLETE (FIG. 5)

La palanca de ajuste/bloqueo de inglete y el disparador le permiten colocar el inglete de su sierra a 50° a la izquierda y a la derecha. Para colocar el inglete de su sierra, desbloquee la palanca de bloqueo de inglete (J) deslizándola hacia arriba, oprima el disparador de retención (K) y coloque el ángulo de inglete deseado en la escala de inglete. Bloquee el mango de bloqueo de inglete presionando hacia abajo. Anule el disparador de retención girando la perilla (Figura 10, V).

#### INTERRUPTOR DISPARADOR (FIG. 2)

El interruptor disparador enciende y apaga la sierra. El disparador tiene un orificio donde se puede insertar un candado para asegurar la sierra.

#### BLOQUEO DE BISEL (FIG. 8)

La perilla de bloqueo de bisel (L) le permite biselar la sierra a 48° a la izquierda y a la derecha. Para aflojar el mango y ajustar la configuración de bisel, gire el mango en el sentido contrario a las agujas del reloj, la cabeza de la sierra se bisela con facilidad a la izquierda o a la derecha al oprimir la perilla de anulación de bisel a 0° (S). Para ajustarlo, gire el mango en el sentido de las agujas del reloj. Las marcas de grado del bisel están en la parte frontal inferior del brazo de la sierra (Figura 7, M).

#### BLOQUEO DE BISEL A 0° (FIG. 8)

La anulación del tope de bisel (S) le permite biselar la sierra a la derecha después de la marca de 0°.

La sierra se detendrá automáticamente a 0° cuando se lleve desde la izquierda. Para mover a la derecha después de 0°, gire la perilla de tope de bisel. La perilla de tope se puede desbloquear tirando la perilla hacia afuera y girándola a 180°.

#### BLOQUEO DE BISEL A 45° (FIG. 8)

Las anulaciones del tope de bisel (N) se fijan con el tornillo de sujeción para evitar un movimiento accidental. Utilice la broca en la llave para cambio de broca para aflojar el tornillo de sujeción. Esto permite que los deslizadores se tiren hacia afuera y que la cabeza de la sierra gire después de la marca de 45°. Asegúrese de volver a ajustar el tornillo de sujeción al finalizar.

#### TOPES DE BISEL A 33,85° (FIG. 8)

Los dos seguros (P) se utilizan para fijar el bisel de la cabeza de la sierra a 33,85°. Esta fijación se utiliza principalmente para cortar molduras de corona en posición plana sobre la mesa.



### CLAVIJA DE SEGURIDAD (FIG. 8)

Para bloquear la cabeza de la sierra en la posición hacia abajo, empuje la cabeza hacia abajo, presione la clavija (U) y suelte la cabeza de la sierra. Así se sostendrá la cabeza de la sierra en forma segura hacia abajo para poder trasladar la herramienta de un lugar a otro. Para soltarla, presione la cabeza de la sierra hacia abajo y retire la clavija.

### Operación

Enchufe la sierra en cualquier fuente de energía doméstica de 60 Hz. Consulte el voltaje en la placa de la herramienta. Asegúrese de que el cable no interfiera con su trabajo.

### INTERRUPTOR

Para encender la sierra, oprima el interruptor disparador. Para apagarla, suelte el interruptor. Permita que la hoja alcance la velocidad máxima de rotación (rpm) antes de realizar el corte. Suelte el interruptor disparador y permita que el freno detenga la hoja antes de levantar la cabeza de la sierra. No hay ningún dispositivo para bloquear el interruptor en encendido, pero en el orificio del disparador se puede insertar un candado para bloquear la sierra apagada.

### CORTES CON LA SIERRA

**NOTA:** Si bien esta sierra corta madera y muchos materiales no ferrosos, limitaremos nuestro análisis solamente al corte de madera. Las mismas pautas se aplican a otros materiales. **NO CORTE MATERIALES FERROSOS (HIERRO Y ACERO) O MAMPOSTERÍA CON ESTA SIERRA.** No emplee hojas abrasivas.

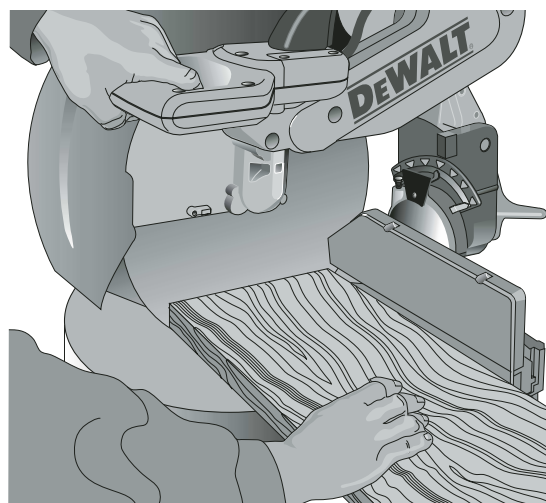
### CORTES TRANSVERSALES

No se recomienda cortar muchas piezas, aunque es posible hacerlo en forma segura siempre que cada pieza esté sostenida firmemente contra la mesa y el reborde. Los cortes transversales se realizan cruzando la veta de la madera en cualquier ángulo. Los cortes transversales rectos se realizan con el brazo de inglete en la posición de cero grados. Fije el brazo de inglete en cero, sostenga la madera firmemente sobre la mesa y contra el reborde. Encienda la sierra oprimiendo el disparador.

Una vez que la sierra haya alcanzado velocidad (al cabo de 1 segundo), baje el brazo en forma uniforme y lenta para cortar a través de la madera. Espere a que la hoja se detenga por completo para levantar el brazo.

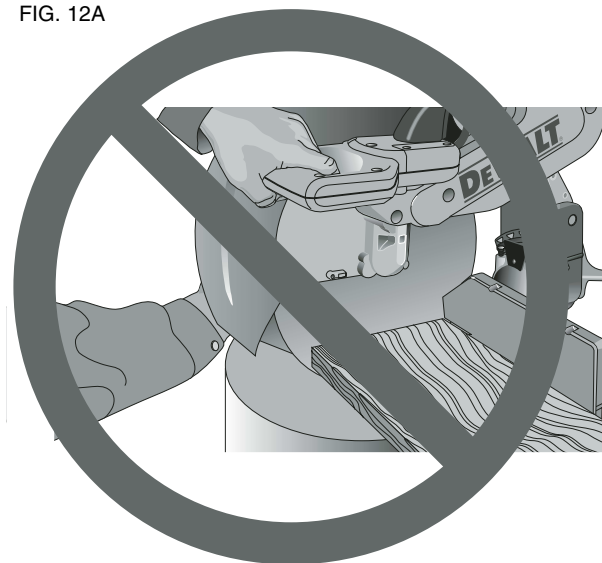
Los cortes transversales de inglete se realizan con el brazo de inglete en cualquier otro ángulo que no sea cero. Este ángulo suele ser de 45 grados para formar esquinas, pero se puede fijar en cualquier posición, de cero a 50 grados, a la izquierda o derecha. Después de seleccionar el ángulo de bisel deseado, asegúrese de bloquear la palanca de bloqueo de inglete. Realice el corte según la descripción anterior.

FIG. 12



CORTE CORRECTO

FIG. 12A



CORTE INCORRECTO

### CORTES BISELADOS

Los cortes biselados son cortes transversales que se realizan con la hoja de la sierra en bisel con la madera. Para fijar el bisel, afloje la perilla de fijación de bisel y mueva la sierra a la izquierda en la medida deseada. (Es necesario mover el reborde para dejar espacio libre). Una vez fijado el ángulo de bisel deseado, ajuste firmemente la perilla de fijación de bisel.

Los ángulos de bisel se pueden fijar desde 48 grados a la derecha hasta

48 grados a la izquierda y se pueden realizar cortes con el brazo de inglete fijo entre cero y 50 grados a la derecha o a la izquierda. Es posible que haya que retirar el reborde lateral izquierdo o derecho para algunos ángulos extremos. Para retirar el reborde izquierdo o derecho, desenrosque las perillas varias veces y retire el reborde.

### CALIDAD DEL CORTE

La uniformidad del corte depende de diferentes variables. El tipo de material para cortar, el tipo y filo de la hoja, y la velocidad de corte contribuyen a la calidad.

Cuando se necesitan cortes más uniformes para molduras u otros trabajos de precisión, se debe usar una hoja afilada (60 dientes de carburo) y una velocidad de corte más lenta para lograr los resultados deseados.

Asegúrese de que el material no se deslice mientras lo corta; sujételo firmemente. Siempre espere a que la hoja se detenga por completo para levantar el brazo.

Si aun así se desprenden pequeñas fibras de la parte trasera de la pieza de trabajo, pegue un trozo de cinta adhesiva en la madera donde se realizará el corte. Corte con la sierra a través de la cinta y retírela con cuidado cuando termine.

Para diferentes aplicaciones de cortes, consulte la lista de hojas recomendadas para su sierra y elija la que más se adapte a sus necesidades (página 37).

### POSICIÓN DEL CUERPO Y LAS MANOS (FIG. 12)

La correcta posición del cuerpo y las manos mientras opera la sierra ingletadora ayudará a lograr cortes más fáciles, precisos y seguros. Nunca coloque las manos cerca del área de corte. No coloque las manos a menos de 15 cm (6") de distancia de la hoja. Sujete la pieza de trabajo fija a la mesa y al reborde mientras corta. Mantenga las manos en posición hasta que el disparador esté liberado y la hoja se haya detenido por completo. **SIEMPRE ENSAYE (SIN CORRIENTE ELÉCTRICA) ANTES DE REALIZAR LOS CORTES A FIN DE PODER CONTROLAR EL TRAYECTO DE LA HOJA. NO CRUCE LAS MANOS, COMO SE MUESTRA EN LA FIGURA 12A.**

Mantenga ambos pies firmes sobre el piso y mantenga el equilibrio adecuado. Mientras usted mueve el brazo de inglete de izquierda a derecha, acompañelo y párese al costado de la hoja de la sierra. Observe a través de las rejillas protectoras cuando siga una línea de lápiz.

## SUJECIÓN DE LA PIEZA DE TRABAJO

### Apague y desenchufe la sierra.

Si no puede sujetar la pieza de trabajo con la mano sobre la mesa y contra el reborde, (forma irregular, etc.), o si su mano quedara a menos de 15 cm (6") de la hoja, debe utilizar una abrazadera u otro tipo de sujeción.

Para obtener mejores resultados, utilice la abrazadera DW7082 fabricada para usar con esta sierra. Puede comprarla en un comercio minorista o centro de mantenimiento DEWALT.

También pueden ser apropiados otros accesorios, como las abrazaderas de resorte, las abrazaderas de barra o las abrazaderas en C, según los diferentes tamaños y formas del material. Sea cuidadoso al elegir y colocar estas abrazaderas. Tómese el tiempo para ensayar el corte con la sierra apagada antes de realizarlo. El reborde izquierdo o derecho se deslizará de lado a lado para facilitar la sujeción.

**NOTA:** SIEMPRE ENSAYE ANTES DE REALIZAR LOS CORTES (SIN CORRIENTE ELÉCTRICA) PARA COMPROBAR EL TRAYECTO DE LA HOJA. ASEGÚRESE DE QUE UNA ABRAZADERA NO INTERFIERA CON LA ACCIÓN DE LA SIERRA O LOS PROTECTORES.

**⚠ ADVERTENCIA:** Una pieza de trabajo que está sujeta con la abrazadera, equilibrada y asegurada antes de realizar un corte puede desequilibrarse después de terminarlo. Una carga desequilibrada puede inclinar la sierra o cualquier objeto en el que esté instalada la sierra, como un banco o una mesa de trabajo. Al realizar un corte que puede desequilibrarse, sostenga adecuadamente la pieza de trabajo y asegúrese de que la sierra esté atornillada con firmeza a una superficie estable.

## SOPORTE DE PIEZAS LARGAS

### Apague y desenchufe la sierra.

SIEMPRE UTILICE SOPORTES PARA LAS PIEZAS LARGAS.

Nunca haga que otra persona actúe como extensión del banco, como punto de apoyo adicional para una pieza de trabajo que es más larga o ancha que el banco básico de la sierra ingletadora o para que lo ayude a alimentar, brindar apoyo o empujar la pieza de trabajo.

Para obtener mejores resultados, utilice el soporte de extensión de DW7080 para ampliar el ancho de la mesa de la sierra. Puede conseguirlo en el comercio de su localidad a un costo adicional. Utilice algún soporte conveniente para apoyar las piezas de trabajo largas, como los caballetes de aserrar u otro dispositivo similar, a fin de evitar que se caigan los extremos de la pieza.

## CORTE DE MARCOS PARA FOTOS, CAJAS PARA EXHIBIR OBJETOS Y OTROS ELEMENTOS DE CUATRO LADOS

Para comprender mejor cómo se fabrican los elementos aquí enumerados, le sugerimos que intente con algunos proyectos simples, usando madera de descarte, hasta que se acostumbre y domine la sierra.

FIG. 13

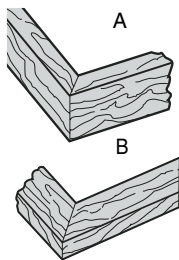


FIG. 14

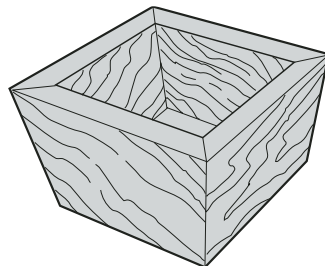


FIG. 15

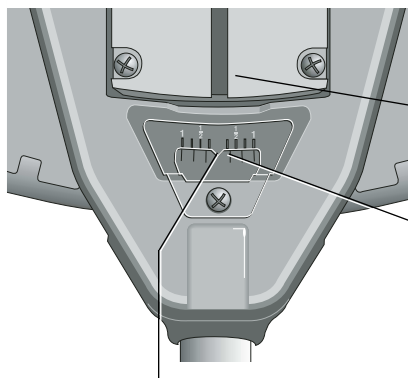
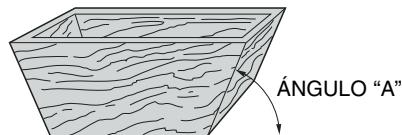


FIG. V1

PLACA DE CORTE

ÁNGULO DE INGLETE

MARCA CENTRAL EN LA ESCALA VERNIER QUEDA ALINEADA CON EL ÁNGULO ENTERO DESEADO EN LA ESCALA DE INGLETE (INGLETE DE 24° A LA DERECHA)

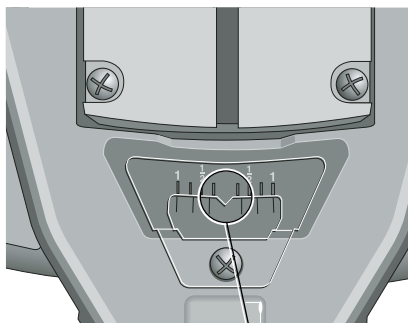


FIG. V2

MARCA DE VERNIER A 1/4° QUEDA ALINEADA CON MARCA DE GRADO ENTERO MÁS CERCA EN LA ESCALA DE INGLETE (INGLETE DE 24-1/4° A LA DERECHA)

La sierra es la herramienta perfecta para cortar esquinas a inglete, como la que se muestra en la Figura 14. El esquema A de la Figura 13 muestra un empalme hecho con la regulación de bisel para biselar los bordes de dos placas a 45 grados cada una y obtener una esquina a 90 grados. Para hacer este empalme, el brazo del inglete se bloqueó en la posición cero y la regulación de bisel se bloqueó a 45 grados. La madera se ubicó con el lado plano ancho contra la mesa y el borde angosto contra el reborde. El corte también se podría haber hecho cortando a inglete de derecha a izquierda, con la superficie ancha contra el reborde.

## CORTE DE MOLDURAS DE TERMINACIÓN Y OTROS MARCOS

El esquema B de la figura 13 muestra un empalme realizado con la regulación del brazo de inglete a 45 grados, para cortar a inglete las dos placas a fin de formar una esquina a 90 grados. Para hacer este tipo de empalme, fije la regulación del bisel en cero y el brazo de inglete a 45 grados. Nuevamente, ubique la madera con el lado plano ancho sobre la mesa y el borde angosto contra el reborde. Los dos esquemas de la Figura 13 corresponden a objetos de cuatro lados.

Si cambia la cantidad de lados, también cambian los ángulos de bisel e inglete. El siguiente cuadro presenta los ángulos adecuados para diferentes formas.

(En el cuadro se presupone que todos los lados tienen la misma longitud). Para las formas que no figuran en el cuadro, utilice la siguiente fórmula: Divida 180° por la cantidad de lados y obtendrá el ángulo de inglete (si el material se corta en forma vertical) o bisel (si el material se corta en posición horizontal).

- EJEMPLOS -

CANTIDAD DE LADOS	ÁNGULO DE INGLETE O BISEL
4	45°
5	36°
6	30°
7	25.7°
8	22.5°
9	20°
10	18°

## CORTE DE INGLETES COMPUESTOS

Los ingletes compuestos son cortes que se realizan utilizando un ángulo de inglete y un ángulo de bisel en forma simultánea. Este tipo de corte se utiliza para hacer marcos o cajas con lados inclinados, como el que se muestra en la Figura 15.

**NOTA:** Si el ángulo de corte varía de corte en corte, controle que la perilla de fijación de bisel y la perilla de bloqueo de inglete estén bien ajustadas. Estas perillas se deben ajustar después de hacer cualquier cambio de bisel o inglete.

El cuadro de la página 50 le ayudará a elegir las regulaciones de bisel e inglete adecuadas para los cortes de ingletes compuestos. Para utilizar este cuadro, seleccione el ángulo deseado "A" (Figura 15) del proyecto y ubique ese ángulo en el arco apropiado del cuadro. Desde ese punto, siga el cuadro en línea recta hacia abajo hasta encontrar el ángulo de bisel correcto y en línea perpendicular, para encontrar el ángulo de inglete correcto.

Fije la sierra en los ángulos indicados y efectúe algunos cortes de prueba. Practique empalmado las piezas cortadas hasta que se familiarice con este procedimiento y se sienta cómodo.

**Ejemplo:** Para hacer una caja de cuatro lados con ángulos exteriores de 26° (Ángulo A, Figura 15), utilice el arco derecho superior. Busque 26° en la escala del arco. Siga la línea de intersección horizontal hacia cualquiera de los lados para obtener la regulación del ángulo de inglete en la sierra (42°). De la misma manera, siga la línea de intersección vertical hacia la parte superior o inferior para obtener la regulación de ángulo de bisel en la sierra (18°). Siempre pruebe los cortes sobre algunas piezas de madera de descarte para verificar las regulaciones de la sierra.

#### ESCALA VERNIER

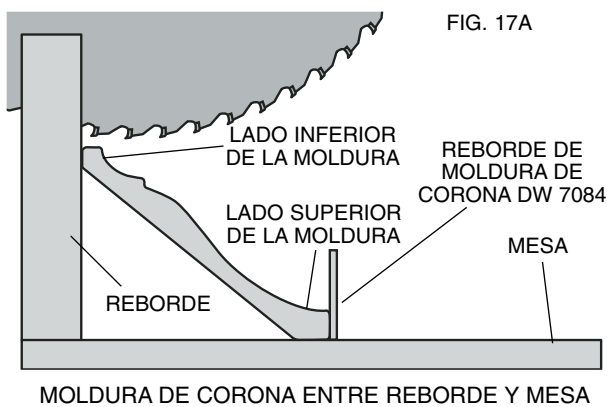
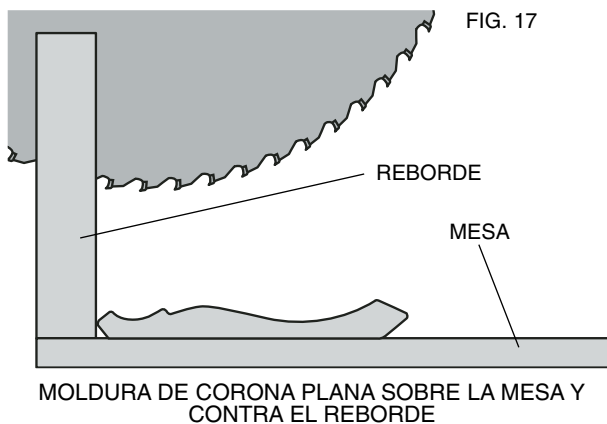
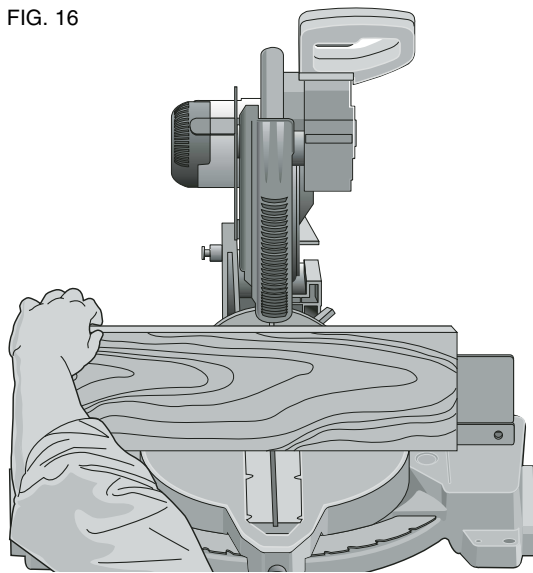
La sierra viene con una escala vernier para mayor precisión. La escala vernier le permite fijar con precisión los ángulos de inglete al 1/4 grado más cercano. Para utilizar la escala vernier, siga los pasos descritos a continuación.

(Como ejemplo, supongamos que el ángulo que desea ingletar es 24-1/4 grados a la derecha).

1. Apague la sierra ingletadora.
2. Fije el ángulo de inglete al grado entero más cercano deseado, alinee la marca central en la escala vernier como se muestra en la Figura V1, con el número de grado entero impreso en la escala de inglete. Analice la Figura V2 detenidamente, la configuración que se muestra es 24° de inglete a la derecha.
3. Para fijar el 1/4 grado adicional, oprima el bloqueo del brazo de inglete y mueva cuidadosamente el brazo a la DERECHA hasta que la marca de vernier de 1/4 grado quede alineada con la marca de grados MÁS CERCANA en la escala de inglete. En el ejemplo que se ilustra, la marca de grados más cercana en la escala de inglete es 25 grados. La Figura V2 muestra una configuración de 24-1/4 grados de inglete a la derecha.

Para las configuraciones que requieren grados parciales (1/4, 1/2, 3/4 grados), alinee la marca de vernier deseada con la marca de grados más cercana en la escala de inglete, como se describe a continuación (La placa vernier de plástico impresa con las marcas para 1/4, 1/2, 3/4 y 1 grados. Sólo el 1/2 grado y el 1 grado se rotulan numéricamente).

FIG. 16



#### INGLETE A LA DERECHA

Si desea incrementar el ángulo de inglete al ingletar a la derecha, mueva el brazo para alinear la marca de vernier adecuada con la marca más cercana en la escala de inglete a la derecha. Para disminuir el ángulo de inglete al ingletar a la derecha, mueva el brazo para alinear la marca de vernier adecuada con la marca más cercana en la escala de inglete a la izquierda.

#### INGLETE A LA IZQUIERDA

Para incrementar el ángulo de inglete al ingletar a la izquierda, mueva el brazo para alinear la marca de vernier adecuada con la marca más cercana en la escala de inglete a la izquierda. Para disminuir el ángulo de inglete al ingletar a la izquierda, mueva el brazo para alinear la marca de vernier adecuada con la marca más cercana en la escala de inglete a la derecha.

#### CORTE DE MOLDURAS DE BASE

SIEMPRE ENSAYE CON LA SIERRA APAGADA ANTES DE REALIZAR CUALQUIER TIPO DE CORTE.

Cortes rectos de 90 grados:

Ubique la madera contra el reborde y sosténgala en posición, como se muestra en la Figura 16. Encienda la sierra, permita que la hoja alcance la velocidad máxima y baje el brazo suavemente a través del corte.

#### CORTE DE MOLDURAS DE BASE DE HASTA 152,4 MM (6") EN FORMA VERTICAL CONTRA EL REBORDE

Ubique el material como se muestra en la Figura 16. Todos los cortes se realizan con la parte posterior de la moldura contra el reborde y la parte inferior de la moldura contra la base.

#### ESQUINA INTERIOR:

Lado izquierdo

1. Inglete izquierdo a 45°
2. Conserve el lado izquierdo del corte

Lado derecho

1. Inglete derecho a 45°
2. Conserve el lado derecho del corte

#### ESQUINA EXTERNA:

Lado izquierdo

1. Inglete derecho a 45°
2. Conserve el lado izquierdo del corte

Lado derecho

1. Inglete izquierdo a 45°
2. Conserve el lado derecho del corte

Para cortar materiales de hasta 152,4 mm (6"), siga la descripción anterior.

#### CORTE DE MOLDURAS DE CORONA

La sierra ingletadora es la herramienta más adecuada para las tareas de corte de molduras de corona. Para poder instalar adecuadamente las molduras de corona, los ingletes compuestos se deben regular con suma precisión.



Las dos superficies planas de una pieza de moldura de corona están en ángulos que, cuando se juntan, forman un ángulo de 90 grados exactos. La mayoría de las molduras de corona, aunque no todas, tienen un ángulo posterior superior (la sección que encaja horizontalmente contra el techo) a 52° y un ángulo posterior inferior (la parte que encaja plana contra la pared) a 38°.

La sierra ingletadora tiene puntos de cerrojo de inglete preestablecidos a 31,62 grados a la izquierda y derecha para cortes de molduras de corona del ángulo adecuado, y seguros de tope de bisel a 33,85 grados a la izquierda y derecha. También hay una marca en la escala de bisel a 33,85°.

El cuadro presenta las regulaciones adecuadas para los cortes de molduras de corona. (Los números para la fijación de inglete y bisel son muy precisos y no son fáciles de regular con precisión en la sierra). Dado que la mayoría de las habitaciones no tienen ángulos exactos a 90 grados, deberá afinar las regulaciones de todos modos.

**HACER PRUEBAS CON MATERIAL DE DESCARTE ES MUY IMPORTANTE!**

**INSTRUCCIONES PARA REALIZAR CORTES EN MOLDURAS DE CORONA EN FORMA HORIZONTAL Y UTILIZANDO FUNCIONES COMPUESTAS**

1. La moldura se coloca con la superficie ancha posterior hacia abajo horizontalmente sobre la mesa de la sierra (Figura 17).
2. Los siguientes ajustes corresponden a las molduras de corona estándar (EE.UU) con ángulos de 52 y 38 grados.

CONFIGURACIÓN BISEL	TIPO DE CORTE
	LADO IZQUIERDO, ESQUINA INTERIOR:
33,85° izquierda	1. Parte superior de la moldura contra el reborde 2. Mesa de inglete a 31,62° a la derecha 3. Conserve el extremo izquierdo del corte
	LADO DERECHO, ESQUINA INTERIOR:
33,85° derecha	1. Parte superior de la moldura contra el reborde. 2. Mesa de inglete a 31,62° izquierda 3. Conserve el extremo derecho del corte
	LADO IZQUIERDO, ESQUINA EXTERNA:
33,85° derecha	1. Parte superior de la moldura contra el reborde. 2. Mesa de inglete a 31,62° izquierda

FIG. 18

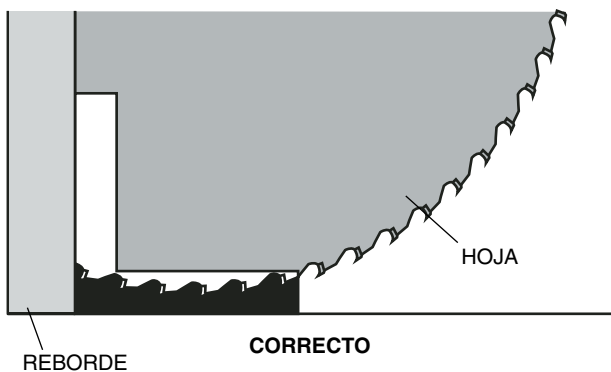


FIG. 18A

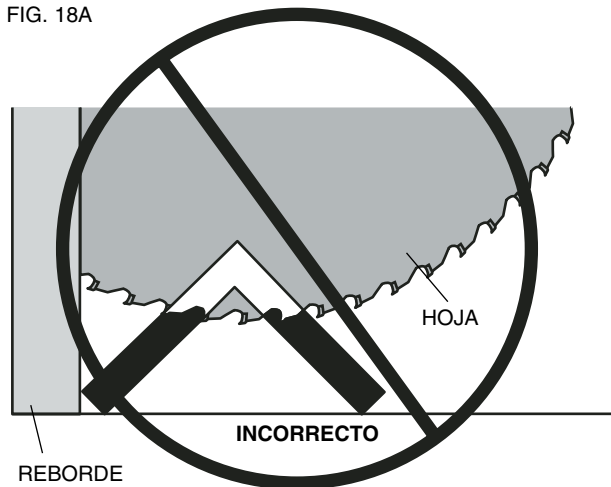


FIG. 19

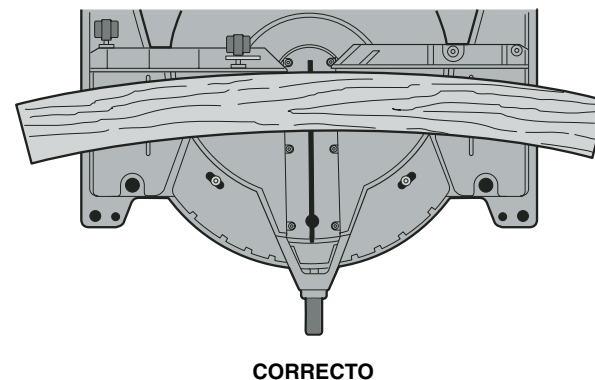
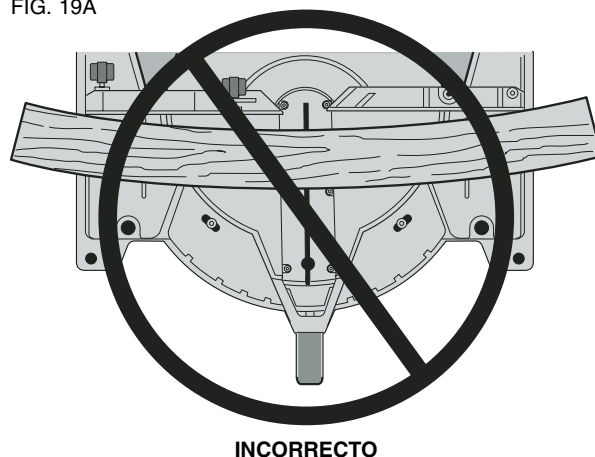


FIG. 19A



con facilidad, y dado que pocas habitaciones forman esquinas en escuadra exacta, todos los ajustes deben probarse en molduras de descarte

**HACER PRUEBAS CON MATERIAL DE DESCARTE ES MUY IMPORTANTE!**

**MÉTODO ALTERNATIVO PARA CORTAR MOLDURAS DE CORONA**

Coloque la moldura en la mesa a un ángulo entre el reborde y el banco de la sierra como se muestra en la Figura 17A. El uso del accesorio de reborde de la moldura de corona (DW7084) se recomienda encarecidamente dado su grado de precisión y conveniencia. Puede comprar el accesorio de reborde para molduras de corona en el distribuidor de su localidad.

3. Conserve el extremo izquierdo del corte

	LADO DERECHO, ESQUINA EXTERIOR:
33,85° izquierda	1. Parte superior de la moldura contra el reborde 2. Mesa de inglete a 31,62° a la derecha 3. Conserve el extremo derecho del corte

Cuando fije los ángulos de bisel e inglete para todos los ingletes compuestos, recuerde que:

Los ángulos presentados para las molduras de corona son muy precisos y difíciles de fijar con exactitud. Dado que los ángulos se pueden alterar

La ventaja de cortar molduras de corona con este método es que no requiere ningún corte biselado. Se pueden realizar cambios minuciosos en el ángulo del inglete sin afectar el ángulo de bisel. De esta forma, cuando se encuentran esquinas que no tienen 90 grados, la sierra se puede regular rápida y fácilmente. Utilice el accesorio de reborde para molduras de corona para mantener el ángulo en el que estará la moldura sobre la pared.

### INSTRUCCIONES PARA CORTES DE MOLDURAS DE CORONA CON ÁNGULO ENTRE EL REBORDE Y LA BASE DE LA SIERRA PARA TODOS LOS CORTES

1. Coloque en ángulo la moldura de manera que la parte inferior de la moldura (la que va contra la pared cuando está instalada) quede contra el reborde y la parte superior de la moldura se apoye sobre la base de la sierra, como se muestra en la Figura 17A.
2. Las "partes planas" anguladas de la parte posterior de la moldura deben apoyarse en escuadra sobre el reborde y la base de la sierra.

#### ESQUINA INTERIOR:

Lado izquierdo

1. Inglete derecho a 45°
2. Conserve el lado derecho del corte

Lado derecho

1. Inglete izquierdo a 45°
2. Conserve el lado izquierdo del corte

#### ESQUINA EXTERNA:

Lado izquierdo

1. Inglete izquierdo a 45°
2. Conserve el lado derecho del corte

Lado derecho

1. Inglete derecho a 45°
2. Conserve el lado izquierdo del corte

### Cortes especiales

**NUNCA REALICE CORTES SIN QUE EL MATERIAL ESTÉ BIEN SUJETO A LA MESA Y CONTRA EL REBORDE.**

#### CORTE DE ALUMINIO

AUTILICE SIEMPRE HOJAS DE SIERRA ADECUADAS, FABRICADAS ESPECÍFICAMENTE PARA CORTAR ALUMINIO. Las puede conseguir en el comercio minorista DEWALT de su localidad o en el centro de mantenimiento DEWALT. Determinadas piezas de trabajo, debido a su tamaño, forma o acabado de superficie, pueden requerir el uso de una abrazadera o sujeción para evitar movimientos durante el corte. Coloque el material de manera de cortar la sección más delgada, como se muestra en la Figura 18. La Figura 18A muestra la forma incorrecta de cortar estas extrusiones. Utilice un lubricante de corte de cera en barra cuando corte aluminio. Aplique la cera en barra directamente en la hoja de la sierra antes de cortar. Nunca aplique cera en barra en una hoja en movimiento.

FIG. 20

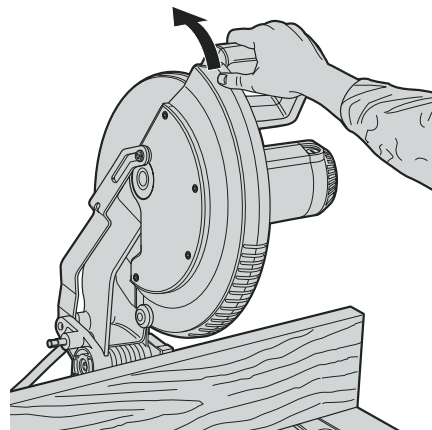
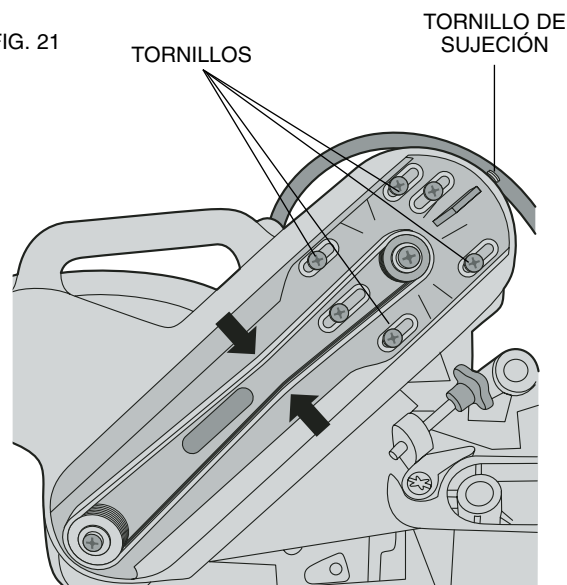


FIG. 21



La cera, disponible en la mayoría de las ferreterías y en los comercios de abastecimiento para talleres industriales, ofrece la lubricación adecuada y evita que las rebabas se adhieran a la hoja.

Asegúrese de sujetar bien la pieza de trabajo en forma adecuada. En la página 37 encontrará la hoja de sierra correcta.

#### MATERIAL CURVADO

Al cortar material curvado, coloque siempre de la forma que se muestra en la Figura 19 y nunca como se muestra en la Figura 19A. Colocar el material de forma incorrecta provocará accidentes en la hoja cerca de finalizar el corte.

### CORTES DE TUBERÍAS DE PLÁSTICO U OTROS MATERIALES REDONDOS

Las tuberías de plástico se pueden cortar fácilmente con la sierra. Se cortan como madera y se sujetan o **SOSTIENEN FIRMEMENTE AL REBORDE PARA EVITAR QUE RUEDEN.** Esto es muy importante cuando se realizan cortes en ángulo.

#### CORTE DE MATERIALES GRANDES

Quizás deba cortar una pieza de madera demasiado grande, que no entre debajo de la guarda de la hoja. De ser así, simplemente coloque su pulgar derecho en la parte superior del protector y enróllelo hacia arriba lo suficiente para despejar la pieza de trabajo según se muestra en la Figura 20. Evite hacer esto con demasiada frecuencia, pero si es necesario, la sierra funcionará correctamente y realizará el corte más grande. **NUNCA ATE, ENCINTE NI MANTENGA ABIERTA LA GUARDA MIENTRAS OPERA ESTA SIERRA.**

#### CONFIGURACIÓN ESPECIAL PARA CORTES TRANSVERSALES ANCHOS

La sierra puede cortar piezas de trabajo muy anchas (de hasta 406 mm [16"] cuando se utiliza una configuración especial. Para configurar la sierra para cortar estas piezas de trabajo, siga los siguientes pasos:

1. Retire ambos rebordes deslizantes, izquierdo y derecho de la sierra, y déjelos a un lado. Para retirarlos, desenrosque las perillas del reborde varias veces y deslice cada reborde hacia fuera. Ajuste y bloquee el control de inglete de manera tal que quede a 0 grados de inglete.
2. Realice una plataforma usando una pieza de 38 mm (1,5 pulgada) de espesor de una placa de partículas o madera espesa similar plana y fuerte de 38 mm, con las siguientes dimensiones: 254 x 610 mm (10" x 24"). La plataforma debe ser plana. De lo contrario, el material se podría mover durante el corte y provocar lesiones.
3. Coloque la plataforma de 254 x 610 mm (10" x 24") sobre la sierra utilizando 4 tornillos de madera de 101,6 mm (4") de largo a través de los orificios en el reborde de la base (Fig. 9). Se deben usar cuatro tornillos para sujetar adecuadamente el material. Cuando se utiliza la configuración especial, la plataforma se cortará en dos piezas. Asegúrese de que los tornillos estén ajustados adecuadamente, de lo contrario el material se aflojará y podría provocar lesiones. Asegúrese de que la plataforma sea plana y esté firme sobre la mesa, contra el reborde y centrada en forma pareja de izquierda a derecha.

**⚠ ADVERTENCIA:** Asegúrese de que la sierra esté montada firmemente en una superficie plana estable. De lo contrario, la sierra quedaría inestable y se podría caer, provocando lesiones personales.



- Coloque la pieza de trabajo que será cortada sobre la plataforma montada en la mesa. Asegúrese de que la pieza de trabajo esté firme contra el reborde posterior (Fig. 9).
- Sujete el material antes de cortar. Corte lentamente a través del material. Si el material no está bien sujeto o si no se corta lentamente, se podría aflojar y provocar lesiones.

Una vez que se han hecho varios cortes en otros ángulos de inglete diferentes a 0 grado, la plataforma puede aflojarse y no soportar adecuadamente el trabajo. Instale una nueva plataforma sin uso en la sierra después de prede-terminar el ángulo de inglete necesario.

**▲ PRECAUCIÓN:** El uso continuado de una plataforma con varios cortes podría resultar en la pérdida del control del material y en posibles lesiones.

### Retiro y reemplazo de la correa

La correa está diseñada para durar toda la vida útil de la herramienta. Sin embargo, el abuso de la herramienta podría provocar que falle la correa.

Si la hoja no se activa cuando el motor está en funcionamiento, significa que la correa no funciona. Para inspeccionar o reemplazar la correa, retire los tornillos de la cubierta de la correa. Retire la cubierta de la correa. Inspeccione las varillas de la correa para ver si están desgastadas o fallan. Controle la tensión de la correa apretándola como se muestra en la Figura 21. Las mitades de la correa deberían casi tocarse cuando se las aprieta firmemente con el pulgar y el índice.

Para ajustar la tensión, afloje, pero no retire, los cuatro tornillos con cabeza Phillips. Luego gire el tornillo de sujeción que está en la parte superior de la placa del motor hasta lograr la tensión adecuada. Ajuste los cuatro tornillos firmemente y reemplace la cubierta de la correa.

**NOTA:** Si la correa está excesivamente ajustada, puede provocar la falla prematura del motor.

### Mantenimiento

- Todos los rodamientos están sellados. Están lubricados de por vida y no necesitan más mantenimiento.
- Regularmente quite el polvo y las astillas de madera de alrededor Y DEBAJO de la base y la mesa giratoria. Si bien hay ranuras para permitir que pasen los residuos, siempre se acumula algo de polvo.
- Los cepillos están diseñados para durar varios años. Si alguna vez los tiene que reemplazar, siga las instrucciones que se incluyen en la página 41 o lleve la herramienta a reparar al centro de mantenimiento más cercano. En el embalaje de la herramienta encontrará el listado de los centros de mantenimiento y sus direcciones.

### Reparaciones

Para garantizar la SEGURIDAD y la CONFIABILIDAD, deberán hacerse reparaciones, mantenimiento y ajustes de esta herramienta en los centros autorizados de servicio DEWALT u otras organizaciones autorizadas. Estas organizaciones prestan servicio a las herramientas DEWALT y emplean siempre refacciones legítimas DEWALT.

### Póliza de Garantía

#### IDENTIFICACIÓN DEL PRODUCTO:

Sello o firma del Distribuidor.

Nombre del producto: \_\_\_\_\_ Mod./Cat.: \_\_\_\_\_

Marca: \_\_\_\_\_ Núm. de serie: \_\_\_\_\_

(Datos para ser llenados por el distribuidor)

Fecha de compra y/o entrega del producto: \_\_\_\_\_

Nombre y domicilio del distribuidor donde se adquirió el producto: \_\_\_\_\_

Este producto está garantizado por un año a partir de la fecha de entrega, contra cualquier defecto en su funcionamiento, así como en materiales y mano de obra empleados para su fabricación. Nuestra garantía incluye la reparación o reposición del producto y/o componentes sin cargo alguno para el cliente, incluyendo mano de obra, así como los gastos de transportación razonablemente erogados derivados del cumplimiento de este certificado.

Para hacer efectiva esta garantía deberá presentar su herramienta y esta póliza sellada por el establecimiento comercial donde se adquirió el producto, de no contar con ésta, bastará la factura de compra.

#### EXCEPCIONES.

Esta garantía no será válida en los siguientes casos:

- Cuando el producto se hubiese utilizado en condiciones distintas a las normales;
- Cuando el producto no hubiese sido operado de acuerdo con el instructivo de uso que se acompaña;
- Cuando el producto hubiese sido alterado o reparado por personas distintas a las enlistadas al final de este certificado.

Anexo encontrará una relación de sucursales de servicio de fábrica, centros de servicio autorizados y franquiciados en la República Mexicana, donde podrá hacer efectiva su garantía y adquirir partes, refacciones y accesorios originales.

### Garantía limitada de tres años

DEWALT reparará sin cargo cualquier defecto ocasionado por materiales defectuosos o mano de obra, durante tres años a partir de la fecha de compra. Esta garantía no cubre fallas en las piezas que resulten del desgaste normal de la herramienta o de su utilización inadecuada. Para obtener información detallada sobre la cobertura de la garantía y sobre reparaciones, visite nuestra página Web [www.dewalt.com](http://www.dewalt.com) o llame al 1-800-4-DEWALT (1-800-433-

9258). Esta garantía no se extiende a los accesorios o a los daños causados por terceros al intentar realizar reparaciones. Esta garantía le concede derechos legales específicos; usted goza también de otros derechos que varían según el estado o provincia.

Además de la garantía, las herramientas DEWALT están cubiertas por nuestro:

#### SERVICIO GRATUITO DE 1 AÑO

DEWALT realiza el mantenimiento de la herramienta y reemplaza las piezas gastadas tras el uso normal, sin costo alguno, en cualquier momento durante el primer año después de la compra.

#### GARANTÍA DE REEMBOLSO DE DINERO DE 90 DÍAS

Si por alguna razón no estuviera plenamente satisfecho con el rendimiento de la herramienta eléctrica, el láser o la clavadora DEWALT, no tiene más que devolver el producto dentro de los 90 días siguientes a la fecha de compra acompañado de un recibo. De esta manera, se le reintegrará el importe total del producto sin formularle pregunta alguna.

**PRODUCTO REACONDICIONADO:** Los productos reacondicionados están cubiertos por la garantía de servicio gratuito de un año. La garantía de reembolso de dinero de 90 días y la garantía limitada de tres años no se extienden a los productos reacondicionados.

**REEMPLAZO GRATUITO DE LAS ETIQUETAS DE ADVERTENCIA:** Si sus etiquetas de advertencia se vuelven ilegibles o faltan, llame al 1-800-4-DEWALT para que se le reemplacen gratuitamente.

### Notificación de patente

Fabricada según una o más de las siguientes patentes estadounidenses:

6,431,040	5,582,089
6,427,570	5,375,495
D454,577	5,285,708
5,819,619	5,199,343

Otras patentes pendientes.

#### Especificaciones

##### DW716

Tensión de alimentación:	120 V AC ~
Consumo de corriente:	15 A
Frecuencia de alimentación:	60 Hz
Potencia de entrada:	1 675 W
Rotación sin carga:	3 600/min

**PARA REPARACIÓN Y SERVICIO DE SUS HERRAMIENTAS ELÉCTRICAS, FAVOR  
DE DIRIGIRSE AL CENTRO DE SERVICIO MÁS CERCANO**

**CULIACAN, SIN**

Av. Nicolás Bravo #1063 Sur - Col. Industrial Bravo (667) 7 12 42 11

**GUADALAJARA, JAL**

Av. La Paz #1779 - Col. Americana Sector Juárez (33) 3825 6978

**MEXICO, D.F.**

Eje Central Lázaro Cárdenas No. 18  
Local D, Col. Obrera (55) 5588 9377

**MERIDA, YUC**

Calle 63 #459-A - Col. Centro (999) 928 5038

**MONTERREY, N.L.**

Av. Francisco I. Madero No.831 - Col. Centro (81) 8375 2313

**PUEBLA, PUE**

17 Norte #205 - Col. Centro (222) 246 3714

**QUERETARO, QRO**

Av. Madero 139 Pte. - Col. Centro (442) 214 1660

**SAN LUIS POTOSI, SLP**

Av. Universidad 1525 - Col. San Luis (444) 814 2383

**TORREON, COAH**

Blvd. Independencia, 96 Pte. - Col. Centro (871) 716 5265

**VERACRUZ, VER**

Prolongación Díaz Mirón #4280 - Col. Remes (229) 921 7016

**VILLAHERMOSA, TAB**

Constitución 516-A - Col. Centro (993) 312 5111

**PARA OTRAS LOCALIDADES LLAME AL: (55) 5326 7100**

## **Guía para solucionar problemas**

### **ASEGÚRESE DE SEGUIR LAS REGLAS E INSTRUCCIONES DE SEGURIDAD**

#### **PROBLEMA: LA SIERRA NO ENCIENDE**

##### **¿QUÉ SUCEDE?**

1. La sierra no está enchufada
2. Fusible quemado o interruptor automático activado.
3. Cable dañado
4. Cepillos gastados

##### **QUÉ HACER...**

1. Enchufe la sierra.
2. Reemplace el fusible o reinicie el interruptor automático
3. Lleve al centro de mantenimiento autorizado para cambiar el cable
4. Lleve al centro de mantenimiento autorizado para reemplazar los cepillos o reemplácelos usted mismo según se indica en la página 41.

#### **PROBLEMA: LA SIERRA REALIZA CORTES NO SATISFATORIOS**

##### **¿QUÉ SUCEDE?**

1. Hoja sin filo
2. Hoja montada al revés
3. Depósitos de goma o grumos de resina sobre la hoja
4. Hoja incorrecta para el trabajo que se realiza

##### **QUÉ HACER...**

1. Reemplace la hoja. Consulte la página 38.
2. Vire la hoja. Consulte la página 38.
3. Retire la hoja y limpie con aguarrás y ana de acero gruesa o limpiahornos doméstico.
4. Cambie el tipo de hoja. Consulte la página 37.

#### **PROBLEMA: LA HOJA NO ALCANZA VELOCIDAD**

##### **¿QUÉ SUCEDE?**

1. Cable prolongador demasiado liviano o demasiado largo
2. Baja corriente en el hogar

##### **QUÉ HACER...**

1. Reemplácelo por un cable de tamaño adecuado. Consulte la página 34.
2. Comuníquese con la empresa de energía eléctrica.

#### **PROBLEMA: LA MÁQUINA VIBRA EXCESIVAMENTE**

##### **¿QUÉ SUCEDE?**

1. La sierra no está montada firmemente en el soporte o banco de trabajo
2. El soporte o el banco están sobre un piso desparejo
3. Hoja de sierra dañada

##### **QUÉ HACER...**

1. Apriete todos los tornillos de montaje. Consulte la página 37.
2. Reubique sobre una superficie plana. Consulte la página 37.
3. Reemplace la hoja. Consulte la página 38.

#### **PROBLEMA: NO REALIZA CORTES DE INGLETE PRECISOS**

##### **¿QUÉ SUCEDE?**

1. La escala de inglete no está correctamente regulada
2. El indicador de inglete no está correctamente regulado
3. La pieza de trabajo no está perpendicular a la mesa
4. La pieza de trabajo se mueve

##### **QUÉ HACER...**

1. Verifique y regule. Consulte la página 39.
2. Verifique y regule. Consulte la página 39.
3. Verifique y ajuste el reborde. Consulte la página 7.
4. Sujete la pieza de trabajo al reborde o coloque cola en un papel de lija de 120 al reborde con cemento para caucho.

#### **PROBLEMA: EL MATERIAL NO MUERDE LA HOJA**

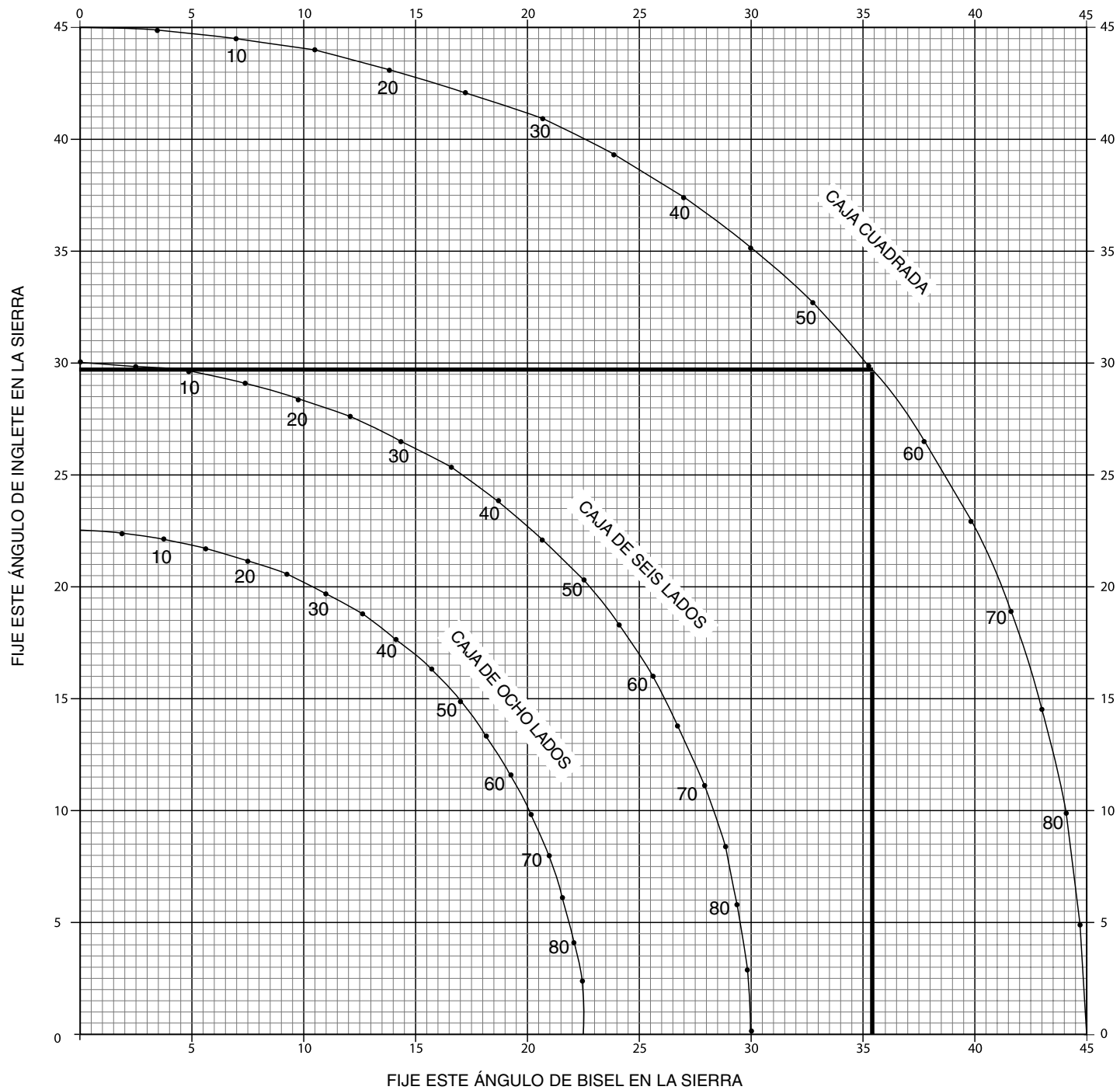
##### **¿QUÉ SUCEDE?**

1. Cortes de material curvado

##### **QUÉ HACER...**

1. Posicione el material curvado como se muestra en la página 46.

TABLA 1: CORTE DE INGLETE COMPUESTO (ubique la madera con el lado plano ancho sobre la mesa y el borde angosto contra el reborde)





DEWALT Industrial Tool Co., 701 East Joppa Road, Baltimore, MD 21286 (JUN05)

Form No. 628949-00

DW716

Copyright © 2005 DEWALT

The following are trademarks for one or more DEWALT power tools: the yellow and black color scheme; the “D” shaped air intake grill; the array of pyramids on the handgrip; the kit box configuration; and the array of lozenge-shaped humps on the surface of the tool.