



POWER EQUIPMENT CORPORATION

BS-14
PART # DPEC01513
DATE: 03-07-12
REVISED: 02-29-16

28-400 14 in. STEEL FRAME BANDSAW WITH OPEN STAND

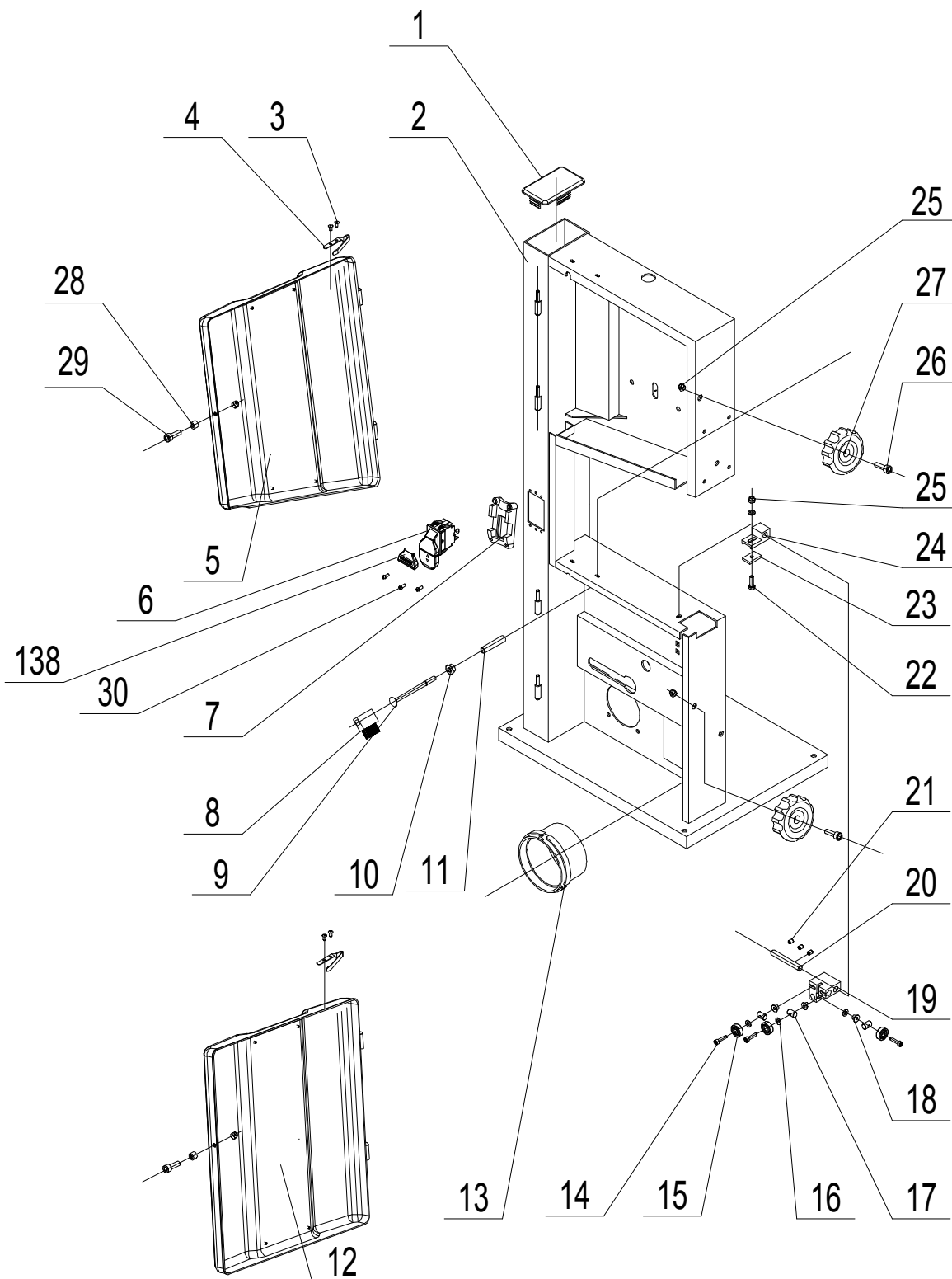


ILLUSTRATION 1



POWER EQUIPMENT CORPORATION

BS-14
PART # DPEC01513
DATE: 03-07-12
REVISED: 02-29-16

28-400

14 in. STEEL FRAME BANDSAW WITH OPEN STAND

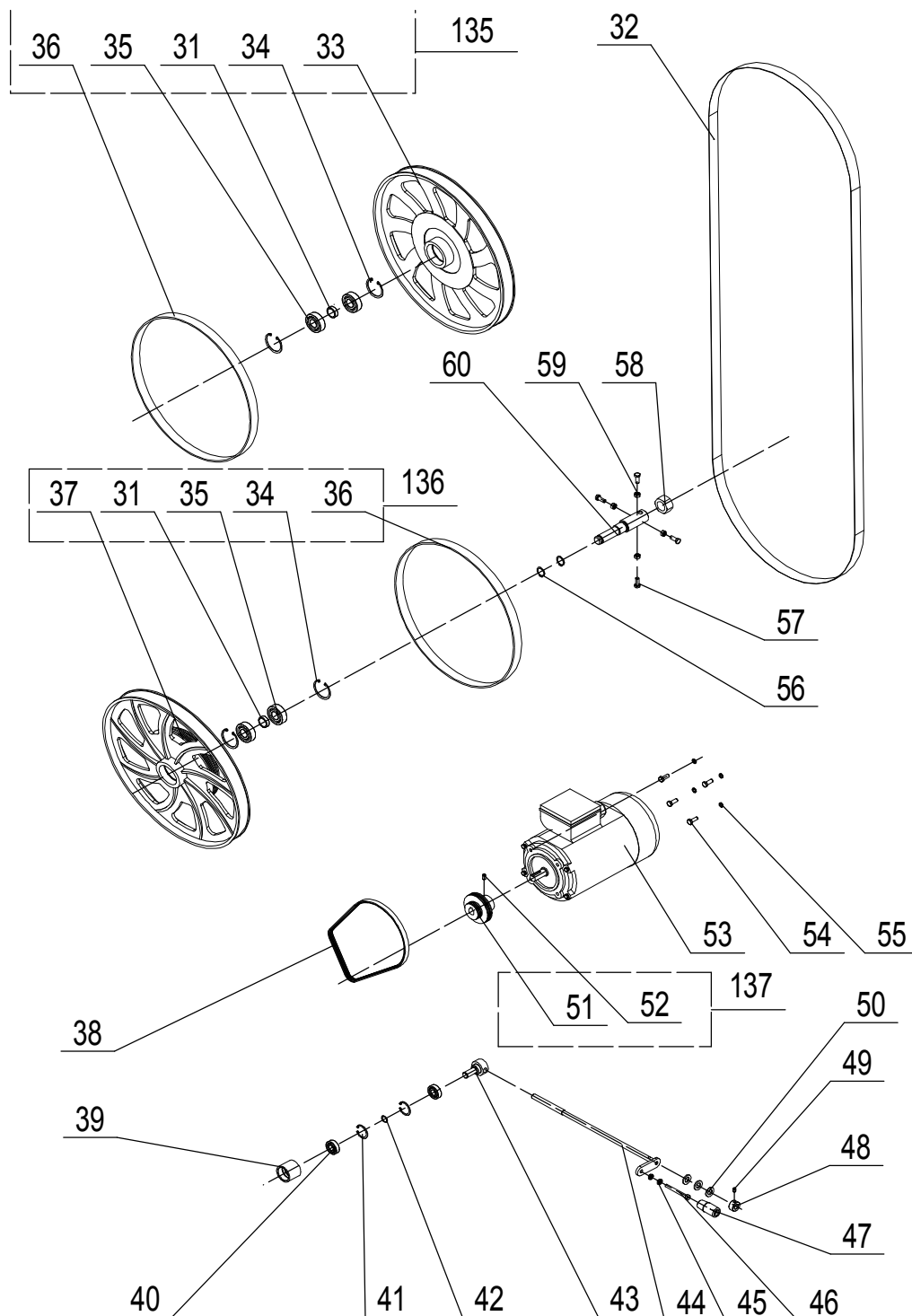


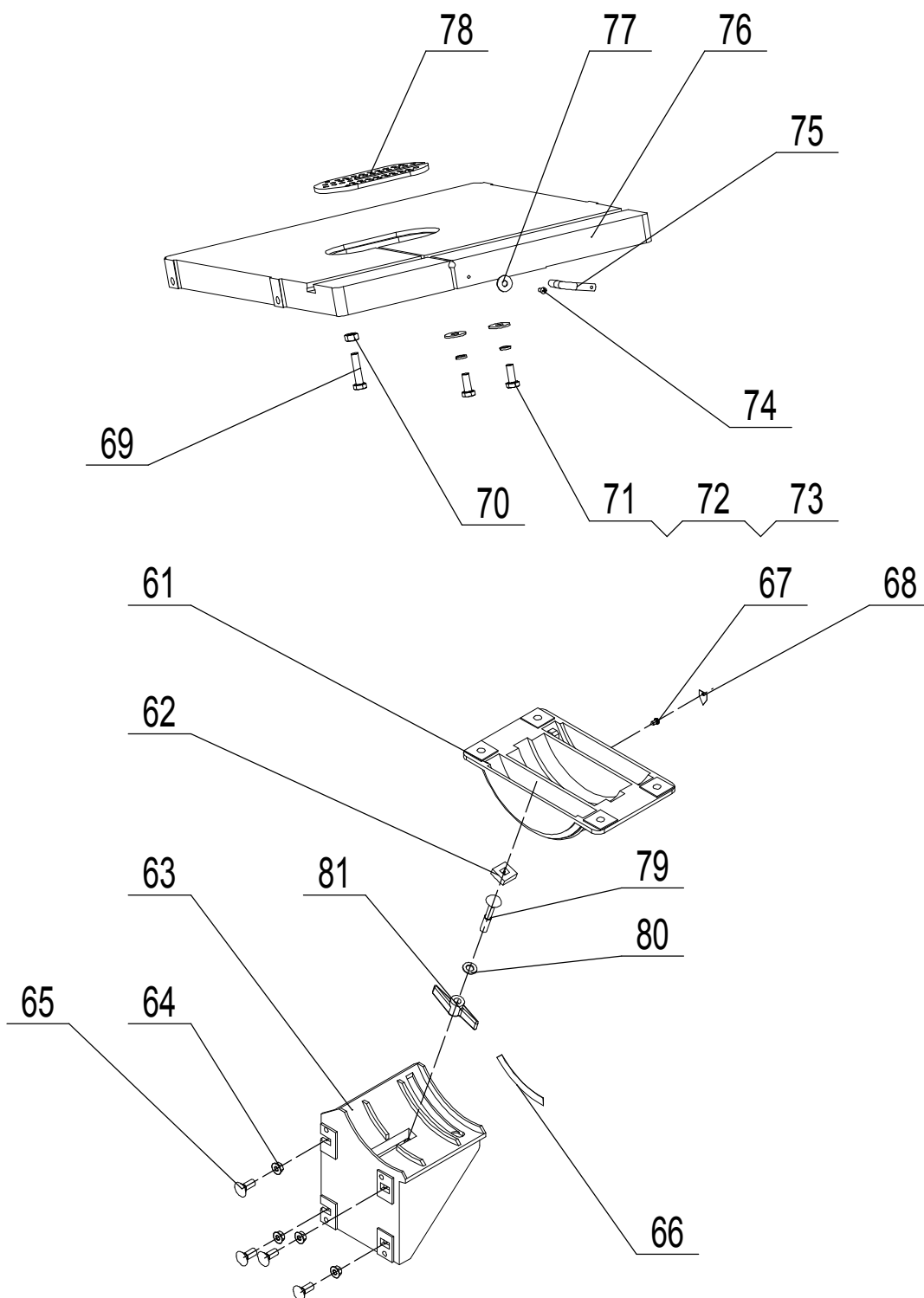
ILLUSTRATION 2



POWER EQUIPMENT CORPORATION

BS-14
PART # DPEC01513
DATE: 03-07-12
REVISED: 02-29-16

28-400 14 in. STEEL FRAME BANDSAW WITH OPEN STAND



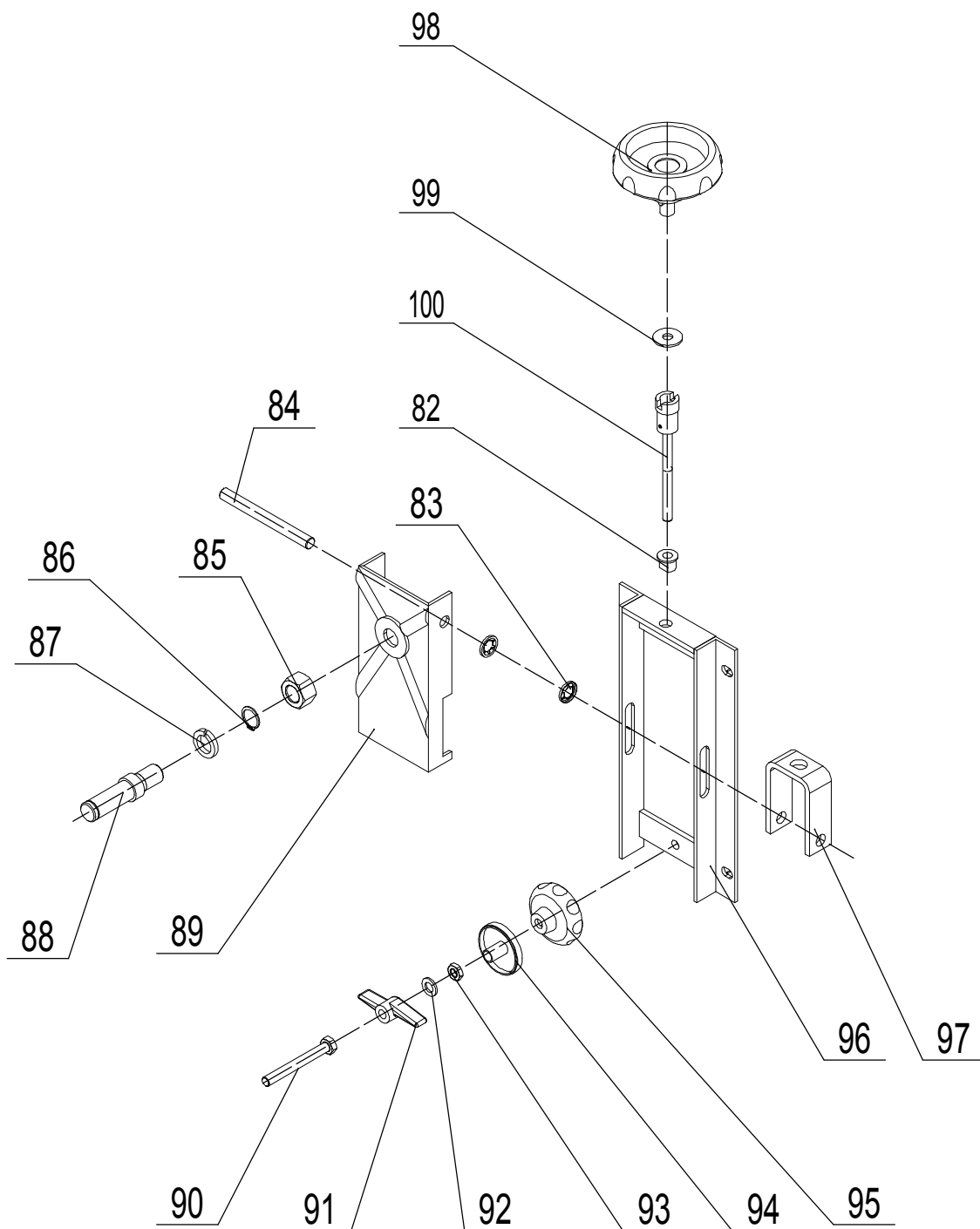


POWER EQUIPMENT CORPORATION

BS-14
PART # DPEC01513
DATE: 03-07-12
REVISED: 02-29-16

28-400

14 in. STEEL FRAME BANDSAW WITH OPEN STAND



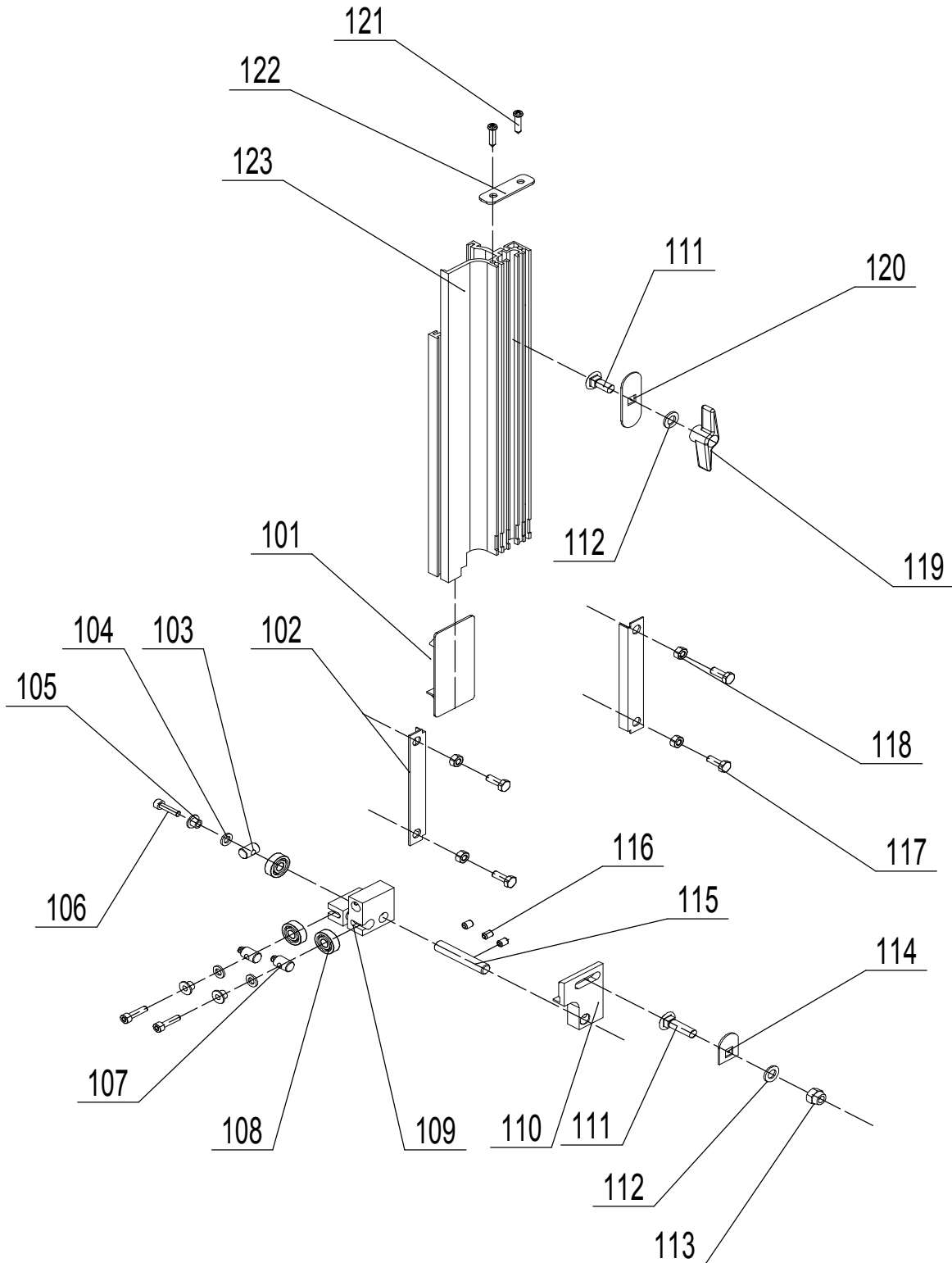


POWER EQUIPMENT CORPORATION

BS-14
PART # DPEC01513
DATE: 03-07-12
REVISED: 02-29-16

28-400

14 in. STEEL FRAME BANDSAW WITH OPEN STAND



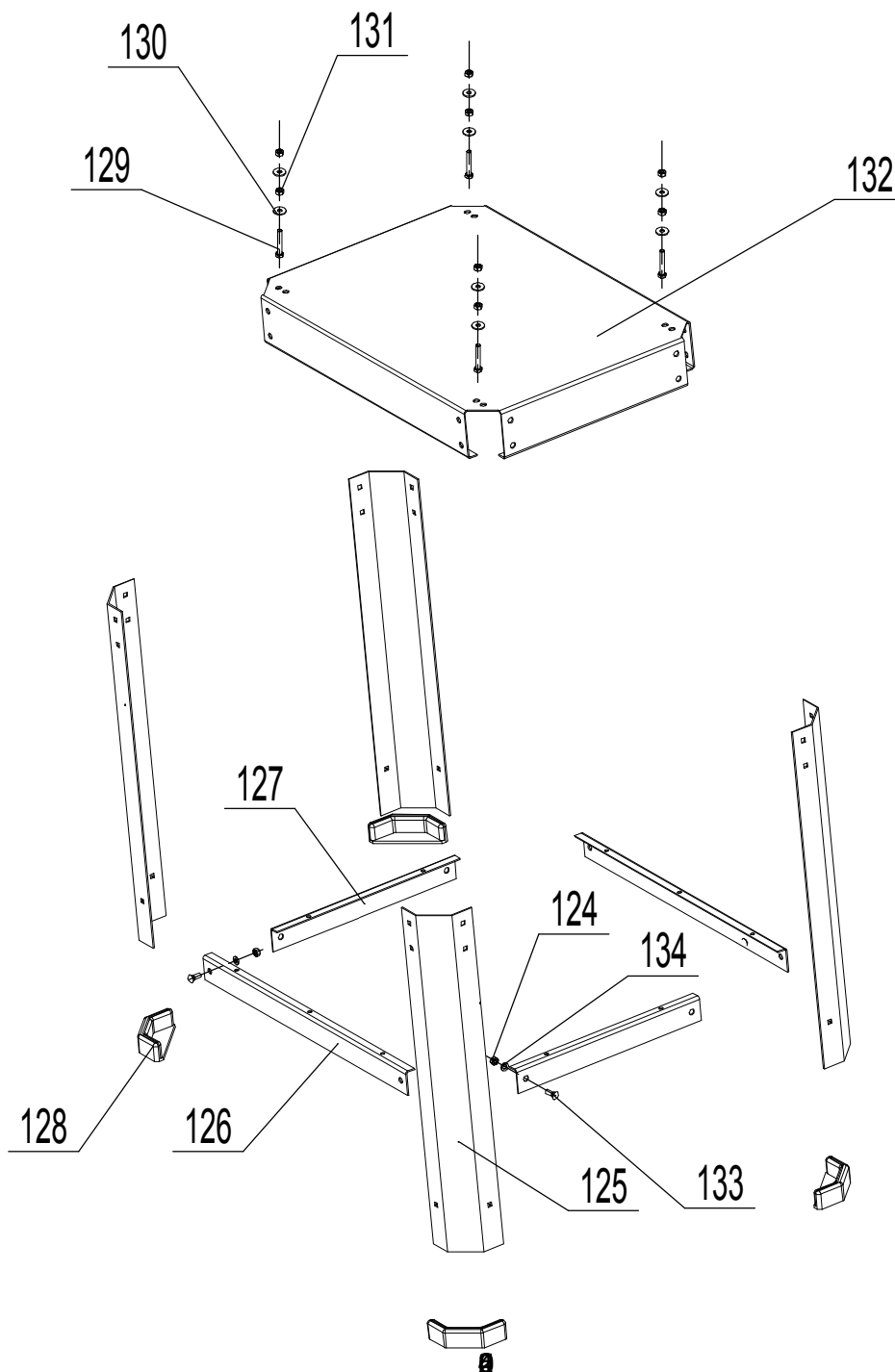


POWER EQUIPMENT CORPORATION

BS-14
PART # DPEC01513
DATE: 03-07-12
REVISED: 02-29-16

28-400

14 in. STEEL FRAME BANDSAW WITH OPEN STAND



REPLACEMENT PARTS

ITEM NO.	ILUST NO.	DELTA PART NO.	DESCRIPTION	Q'TY	ITEM NO.	ILUST NO.	DELTA PART NO.	DESCRIPTION	Q'TY
1	1	DPEC001385	TOP PLUG	1	32	2	DPEC001416	SAW BLADE	1
2	1	DPEC001386	FRAME	1	33	2	DPEC001417	UPPER WHEEL	1
3	1	DPEC001387	RIVET 4X8	4	34	2	DPEC001418	RETURNING RING 40	4
4	1	DPEC001388	LEAF SPRING	2	35	2	DPEC001419	BALL BEARING 80	4
5	1	DPEC001389	UPPER DOOR	1	36	2	DPEC001420	TIRE	2
6	1	DPEC001390	SWITCH	2	37	2	DPEC001421	LOWER WHEEL	1
7	1	DPEC001391	SWITCH COVER PLATE	1	38	2	DPEC001422	DRIVE BELT	1
8	1	DPEC001392	BRUSH	1	39	2	DPEC001423	TENSION WHEEL	1
9	1	DPEC001393	* M8 X 100 CARRIAGE BOLT	1	40	2	DPEC001424	6001ZZ BEARING	2
10	1	DPEC001394	* M8 FLANGE NUT	1	41	2	DPEC001425	RETAINING RING 28	2
11	1	DPEC001395	TUBE	1	42	2	DPEC001426	RETAINING RING 12	1
12	1	DPEC001396	LOWER DOOR	1	43	2	DPEC001427	TENSION SHAFT	1
13	1	DPEC001397	DUST PORT	1	44	2	DPEC001428	BELT TENSION CRANK ARM	1
14	1	DPEC001398	* M5 X 20 HEX SOCKET SET SCREW	3	45	2	DPEC001429	* M6 HEX NUT	2
15	1	DPEC001399	BEARING 80	3	46	2	DPEC001430	* M6 X 55 PAN HEAD SCREW	1
16	1	DPEC001400	* M6 WASHER	4	47	2	DPEC001431	CRANK HANDLE	1
17	1	DPEC001401	MICRO-ADJUSTING KNOB	3	48	2	DPEC001432	LOCK RING	1
18	1	DPEC001402	BEARING MOUNT CYLINDER	3	49	2	DPEC001433	* M5 X 8 CONE POINT SCREW	1
19	1	DPEC001403	UPPER GUIDER BODY	1	50	2	DPEC001434	M10 WASHER	3
20	1	DPEC001404	LOWER GUIDER SHAFT	1	51	2	DPEC001435	MOTOR PULLEY	1
21	1	DPEC001405	* M6 X 10 HEX SOCKET SCREW	3	52	2	DPEC001436	* M6 X 10 HEX SOCKET SET SCREW	1
24	1	DPEC001406	LOWER GUIDE MOUNT	1	53	2	DPEC001437	MOTOR	1
22	1	DPEC001407	* M6 X 20 HEX BOLT	1	54	2	DPEC001438	* M6 X 16 HEX BOLT	4
23	1	DPEC001408	LOWER GUIDE MOUNT SEAT	1	55	2	DPEC001439	* M6 SPRING WASHER	4
25	1	DPEC001409	* M6 LOCK NUT	5	56	2	DPEC001440	RETAINING RING 17	2
26	1	DPEC001410	* M6 X 25 HEX SOCKET SET SCREW	2	57	2	DPEC001441	* M6 X 20 HEX BOLT	4
27	1	DPEC001411	ADJUSTING KNOB BODY	2	58	2	DPEC001442	HEX THIN NUT	1
28	1	DPEC001412	LOCK HOUSING	4	59	2	DPEC001443	* M6 NUT	4
29	1	DPEC001413	* M6 X 30 HEX SOCKET SET SCREW	2	60	2	DPEC001444	LOWER WHEEL SHAFT	1
30	1	DPEC001414	* M4 X 15 SCREW	4	61	3	DPEC001445	UPPER TABLE TRUNION	1
31	2	DPEC001415	BEARING SLEEVE	2	62	3	DPEC001446	GLIDE PIECE	1

* = Item is standard hardware and can be purchased in local hardware or home improvement stores.

REPLACEMENT PARTS

ITEM NO.	ILUST NO.	DELTA PART NO.	DESCRIPTION	Q'TY	ITEM NO.	ILUST NO.	DELTA PART NO.	DESCRIPTION	Q'TY
63	3	DPEC001447	LOWER TABLE TRUNION	1	94	4	DPEC001478	ADJUSTING KNOB CAP	1
64	3	DPEC001448	* M8 FLANGE NUT	4	95	4	DPEC001479	ADJUSTING KNOB BODY	1
65	3	DPEC001449	* M8 X 20 CARRIAGE BOLT	4	96	4	DPEC001480	TENSION BRACKET	1
66	3	DPEC001450	TILT SCALE	1	97	4	DPEC001481	U-SHAPE BRACKET	1
67	3	DPEC001451	TAPPING SCREW ST3.5X9.5	1	98	4	DPEC001482	BLADE TENSION KNOB	1
68	3	DPEC001452	INDICATOR	1	99	4	DPEC001483	* M8 WASHER	1
69	3	DPEC001453	* M8 X 35 HEX BOLT	1	100	4	DPEC001484	BLADE TENSIONER	1
70	3	DPEC001454	* M8 HEX NUT	1	101	5	DPEC001485	SLIDER	1
71	3	DPEC001455	* M8 X 20 HEX BOLT	4	102	5	DPEC001486	BOLT GUIDE	2
72	3	DPEC001456	* M8 SPRING WASHER	4	103	5	DPEC001487	MICRO-ADJUSTING SHAFT,REAR	1
73	3	DPEC001457	* M8 WASHER	4	104	5	DPEC001488	* M6 WASHER	3
74	3	DPEC001458	* M4 X 10 SCREW	1	105	5	DPEC001489	BEARING MOUNT CYLINDER	3
75	3	DPEC001459	SLOT PIN ASSEMBLY	1	106	5	DPEC001490	* M5 X 20 HEX SOCKET SET SCREW	3
76	3	DPEC001460	TABLE	1	107	5	DPEC001491	MICRO-ADJUSTING SHAFT,FRONT	2
77	3	DPEC001461	* M4 WASHER	1	108	5	DPEC001492	BEARING 80	3
78	3	DPEC001462	TABLE INSERT	1	109	5	DPEC001493	UPPER GUIDE BODY	1
79	3	DPEC001463	* M8 X 50 CARRIAGE BOLT	1	110	5	DPEC001494	UPPER GUIDE MOUNT	1
80	3	DPEC001464	SLIDING BLOCK	1	111	5	DPEC001495	* M8 X 20 CARRIAGE BOLT	2
81	4	DPEC001465	WING NUT	1	115	5	DPEC001496	UPPER GUIDE SHAFT	1
82	4	DPEC001466	TENSION NUT	1	116	5	DPEC001497	* M6 X 10 HEX SOCKET SET SCREW	3
83	4	DPEC001467	CIRCLIP RING	2	112	5	DPEC001498	* M8 WASHER	2
84	4	DPEC001468	MOUNT SHAFT	1	113	5	DPEC001499	* M8 LOCK NUT	1
85	4	DPEC001469	M16 HEX NUT	1	114	5	DPEC001500	SPECIAL WASHER	1
86	4	DPEC001470	M17 CIRCLIP SPRING RING	1	117	5	DPEC001501	* M6 X 16 HEX BOLT	4
87	4	DPEC001471	M16 SPRING WASHER	1	118	5	DPEC001502	* M6 NUT	4
88	4	DPEC001472	UPPER BEARING BOLT	1	119	5	DPEC001503	WING KNOB	1
89	4	DPEC001473	WHEEL CARRIER BRACKET	1	120	5	DPEC001504	LONG WASHER	1
90	4	DPEC001474	* M8 HEX BOLT	1	121	5	DPEC001505	TAPPING SCREW ST4.8X22	2
91	4	DPEC001475	WING NUT	1	122	5	DPEC001506	PLATE	1
92	4	DPEC001476	* M8 WASHER	1	123	5	DPEC001507	BLADE GUIDE	1
93	4	DPEC001477	* M8 NUT	1	124	6	DPEC001508	HEX NUT	24

* = Item is standard hardware and can be purchased at local hardware or home improvement stores.

REPLACEMENT PARTS

ITEM NO.	ILUST NO.	DELTA PART NO.	DESCRIPTION	Q'TY
125	6	DPEC001509	LEG	4
126	6	DPEC001510	FRONT BEAM	2
127	6	DPEC001511	SIDE BEAM	2
128	6	DPEC001512	RUBBER SHOE	4
129	6	DPEC002233 *	HEX BOLT	4
130	6	DPEC002234 *	WASHER	8
131	6	DPEC002235 *	NUT	8
132	6	DPEC002236	UPPER FRAME	1
133	6	DPEC002237 *	M6 X 16 CARRIAGE BOLT	24
134	6	DPEC002238 *	M6 WASHER	24
135	2	DPEC002239	UPPER WHEEL ASSY.	1
136	2	DPEC002240	LOWER WHEEL ASSY.	1
137	2	DPEC002241	MOTOR PULLEY ASSY.	1
138	1	DPEC004318	SWITCH KEY	1

* = Item is standard hardware and can be purchased in local hardware or home improvement stores.