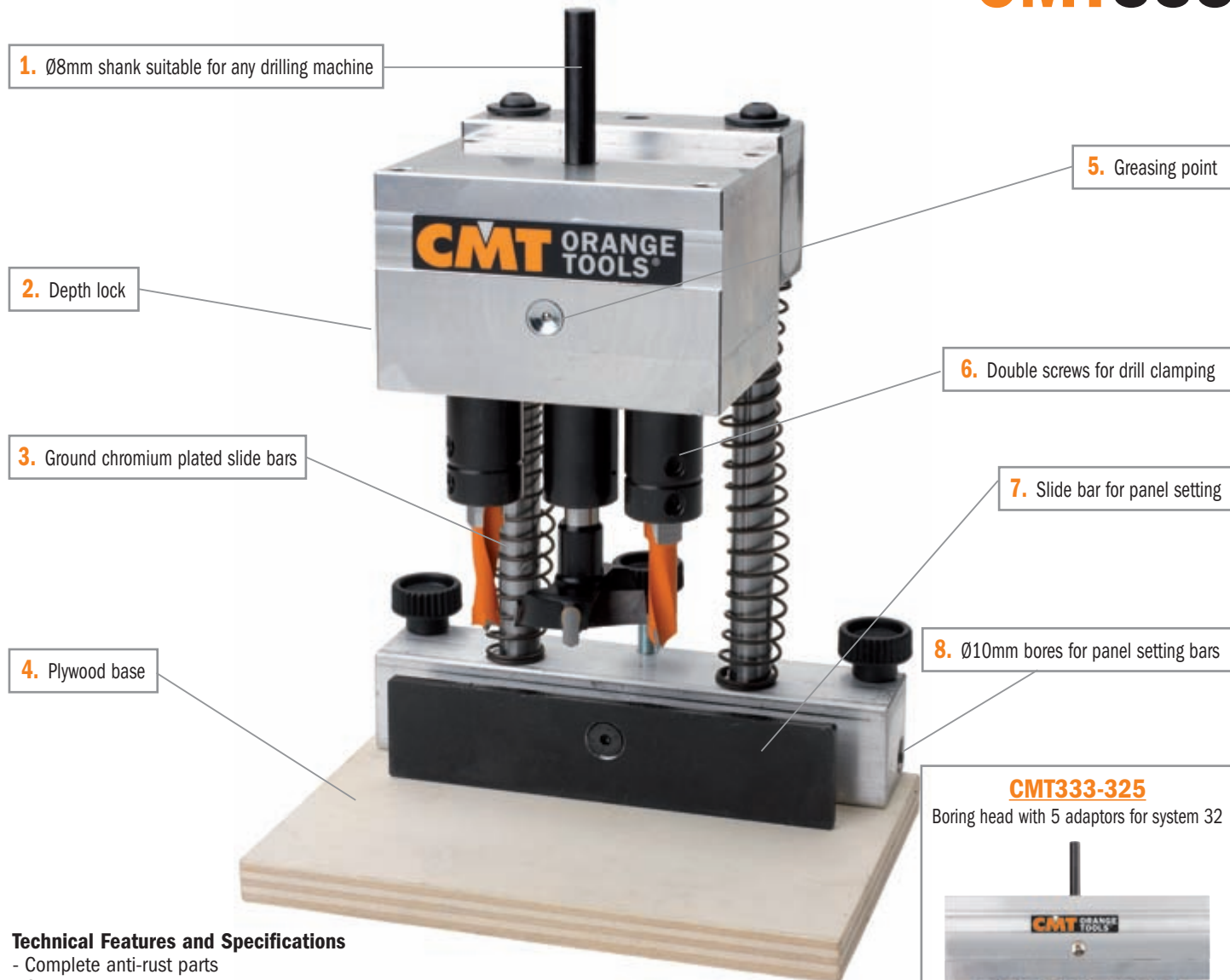


The innovative CMT333 hinges boring system with 3 spindle-head allow you to bore the holes for any hinges brand, from Salice to Blum, from Hettich to Würth, from Mepla to Grass. The universal modular base supports the installation of 5 different boring heads engineered by the worldwide leading company for the industrial boring machines. Use the CMT333 universal hinges boring system on all hand or standing drilling power tools!

**MADE IN ITALY**  
**CMT333**



### Technical Features and Specifications

- Complete anti-rust parts
- Ground aluminium (Avional)
- Max 5000 RPM
- Six radial antifriction bearings

**Safety Tips:** for lubrication use oil Mobil SHC100



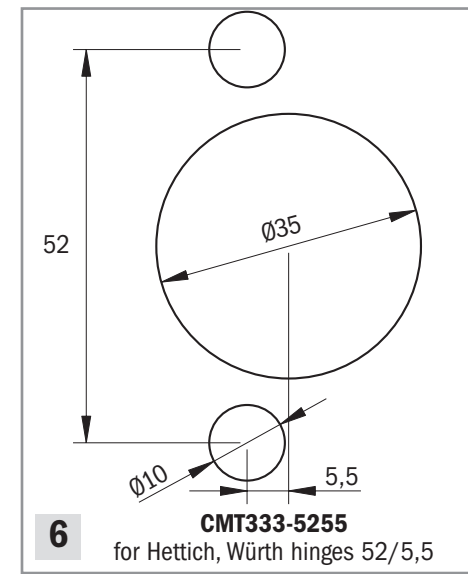
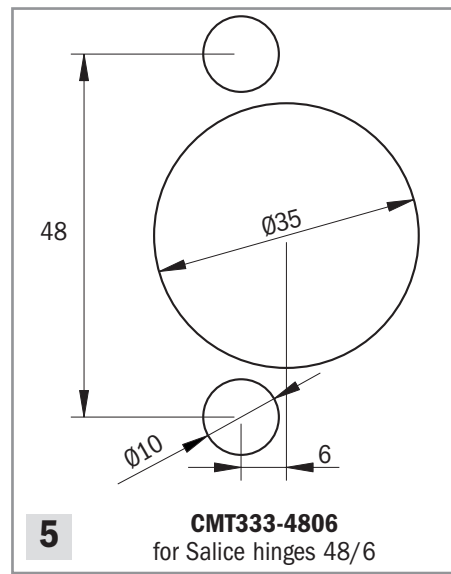
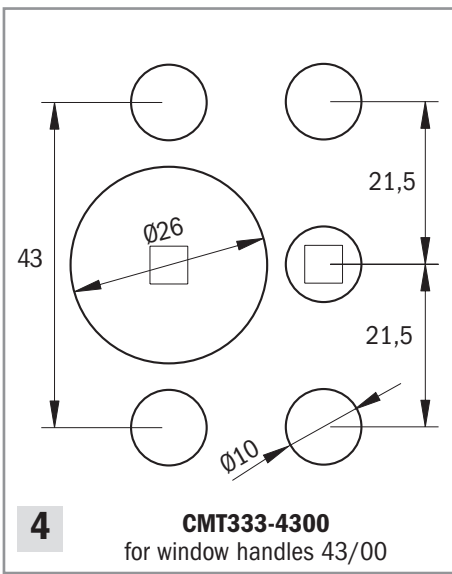
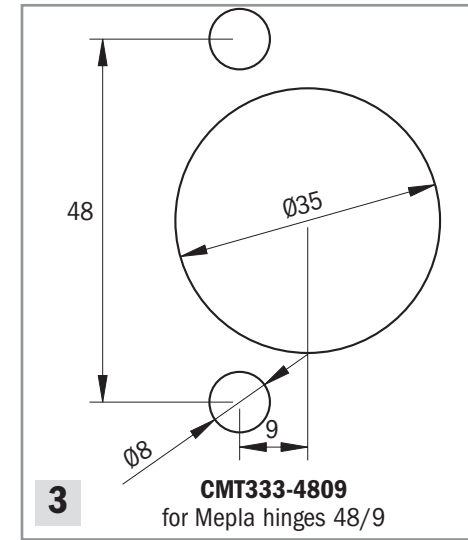
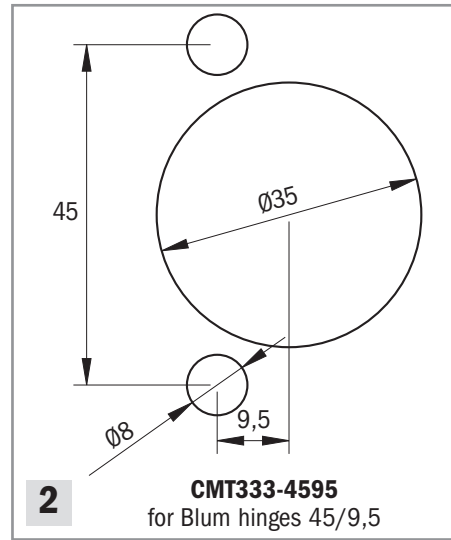
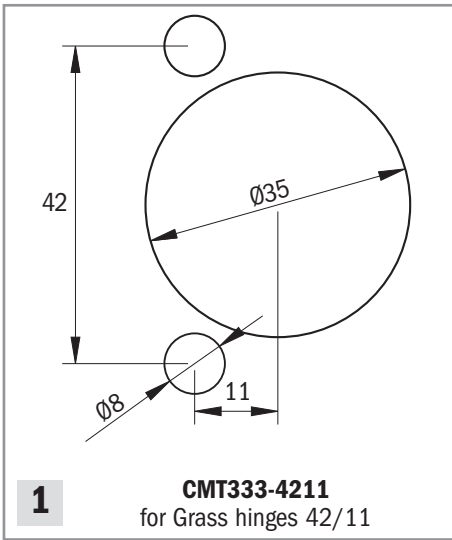
To use on standing drilling machines



To use on standing drilling power tools



To use on CMT Industrio™ router table



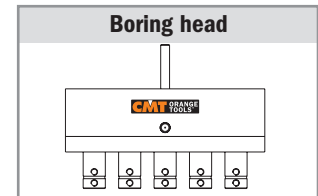
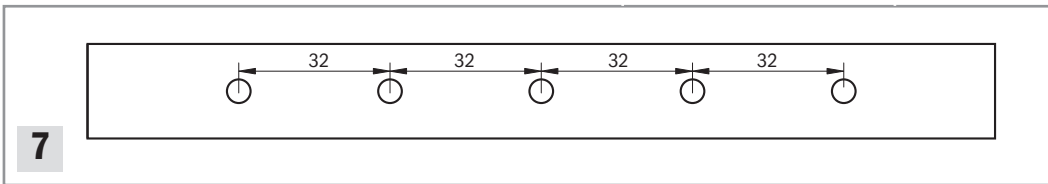
**MAXIMUM VERSATILITY FOR ANY BRAND**

**Make your set**

**Choose your hinge**

1	Grass	42/11
2	Blum	45/9,5
3	Mepla	48/9
4	Window handles	43/00
5	Salice	48/6
6	Hettich, Würth	52/5,5

Support modular base	Boring heads	Drill bits	Boring bit
<b>ORDER NO.</b>	<b>ORDER NO.</b>	<b>ORDER NO.</b>	<b>ORDER NO.</b>
<b>CMT333</b>	<b>CMT333-4211</b> Grass	<b>310.080.12</b> (2 pcs.)	<b>317.350.11</b>
<b>CMT333</b>	<b>CMT333-4595</b> Blum	<b>310.080.12</b> (2 pcs.)	<b>317.350.11</b>
<b>CMT333</b>	<b>CMT333-4809</b> Mepla	<b>310.080.12</b> (2 pcs.)	<b>317.350.11</b>
<b>CMT333</b>	<b>CMT333-4300</b> W/handles	<b>310.100.12</b> (2 pcs.)	<b>317.260.11</b>
<b>CMT333</b>	<b>CMT333-4806</b> Salice	<b>310.100.12</b> (2 pcs.)	<b>317.350.11</b>
<b>CMT333</b>	<b>CMT333-5255</b> Hettich	<b>310.100.12</b> (2 pcs.)	<b>317.350.11</b>



7 Boring head with 5 adaptors for system 32